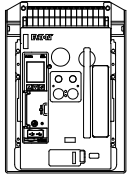
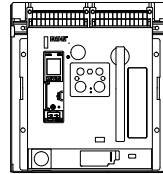


# Door escutcheon

Instructions apply to:



**UL489** : PD-NF, Series NRX NF  
**IEC** : PD-NF, IZMX16  
**UL1066/ANSI** : Series NRX NF



**UL489** : PD-RF  
**IEC** : PD-RF, IZMX40

---

## **WARNING**

---

- (1) **ONLY QUALIFIED ELECTRICAL PERSONNEL SHOULD BE PERMITTED TO WORK ON THE EQUIPMENT.**
  - (2) **ALWAYS DE-ENERGIZE PRIMARY AND SECONDARY CIRCUITS IF A CIRCUIT BREAKER CANNOT BE REMOVED TO A SAFE WORK LOCATION.**
  - (3) **DRAWOUT CIRCUIT BREAKERS SHOULD BE LEVERED (RACKED) OUT TO THE DISCONNECT POSITION.**
  - (4) **ALL CIRCUIT BREAKERS SHOULD BE SWITCHED TO THE OFF POSITION AND MECHANISM SPRINGS DISCHARGED.**
- FAILURE TO FOLLOW THESE STEPS FOR ALL PROCEDURES DESCRIBED IN THIS INSTRUCTION LEAFLET COULD RESULT IN DEATH, BODILY INJURY, OR PROPERTY DAMAGE.**

---

## **WARNING**

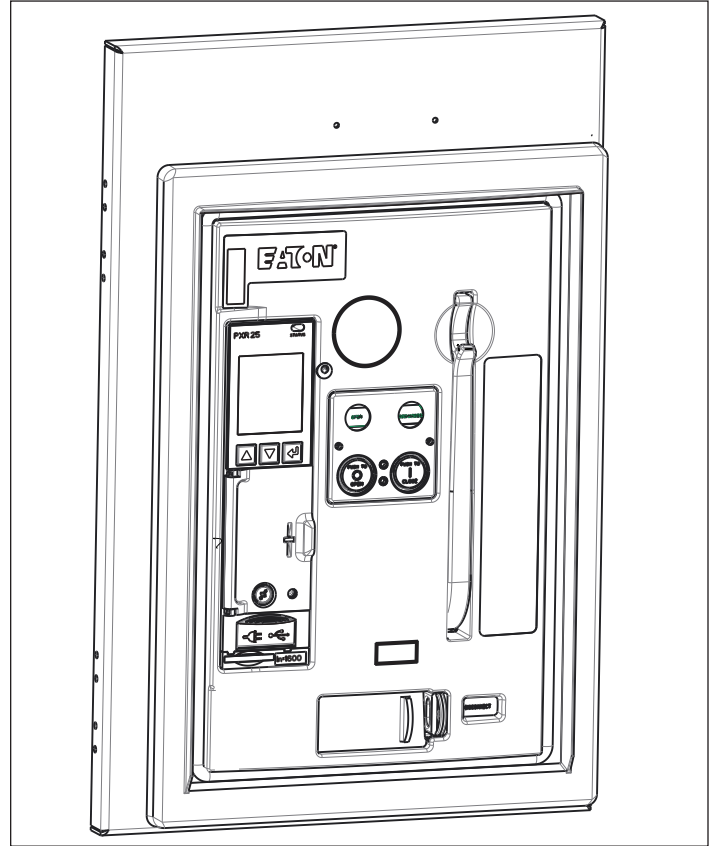
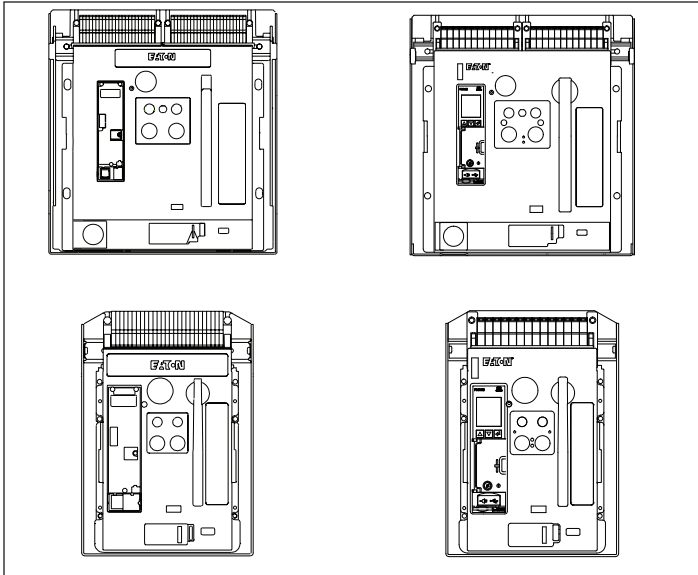
---

**THE INSTRUCTIONS CONTAINED IN THIS IL AND ON PRODUCT LABELS HAVE TO BE FOLLOWED. OBSERVE THE FIVE SAFETY RULES:**

- **DISCONNECTING**
  - **ENSURE THAT DEVICES CANNOT BE ACCIDENTALLY RESTARTED**
  - **VERIFY ISOLATION FROM THE SUPPLY**
  - **EARTHING AND SHORT-CIRCUITING**
  - **COVERING OR PROVIDING BARRIERS TO ADJACENT LIVE PARTS**
- DISCONNECT THE EQUIPMENT FROM THE SUPPLY. USE ONLY AUTHORIZED SPARE PARTS IN THE REPAIR OF THE EQUIPMENT. THE SPECIFIED MAINTENANCE INTERVALS AS WELL AS THE INSTRUCTIONS FOR REPAIR AND EXCHANGE MUST BE STRICTLY ADHERED TO PREVENT INJURY TO PERSONNEL AND DAMAGE TO THE SWITCHBOARD.**

Effective January 2019

**Note:** The content of this IL applies to both PXR and Digitrip equipped breakers. Appearance of the product may vary.

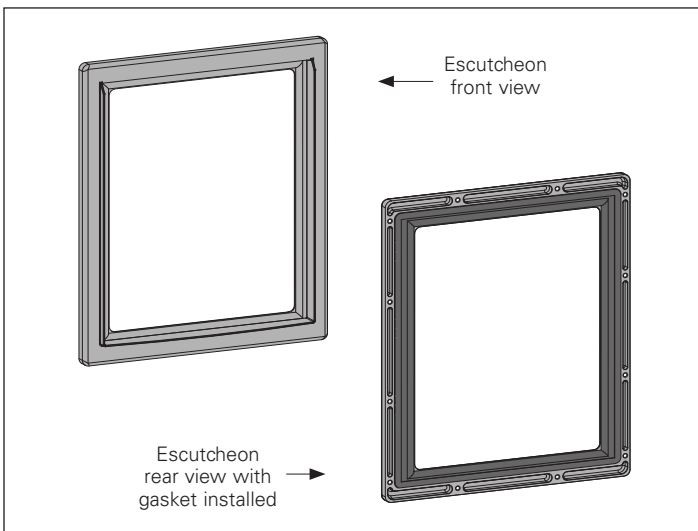


**Section 1: General information**

The door escutcheon is a molded frame used to seal the space between the circuit breaker and the compartment door cutout. It is supplied with a mounting gasket already installed (Figure 1). When received, ensure that the gasket is seated properly in the gutter on the back of the door frame. The gasket can be inserted into the frame using finger pressure, and only fits into the frame one way.

**Figure 2. Typical positioning of escutcheon and circuit breaker (shown for reference purposes only).**

Two versions are available for the NF frame breaker and two for the RF frame breaker, one version is for a fixed circuit breaker and one for a drawout circuit breaker (Figure 2). Both are mounted to the compartment door in the same fashion.



**Figure 1. Door escutcheon and gasket (typical - shown for reference purposes only).**

**Section 2: Escutcheon installation**

To install the escutcheon and gasket assembly, proceed with the following two steps.

**Step 1:** Select the appropriate compartment door cutout and drill pattern for a fixed circuit breaker or a drawout circuit breaker from Figure 3 for the NF frame or Figure 4 to the RF frame.

**Step 2:** Once the cutout and drilling pattern has been completed, mount the escutcheon and gasket assembly to the compartment door using the screws and washers provided. You will notice that the mounting holes are somewhat larger than the mounting screws. This allows for a small amount of assembly movement to ensure accurate positioning for a good fit.

Screw the escutcheon and gasket assembly onto the front of the door. Tighten the assembly until it is snug against the door. Do not overtighten the screws.

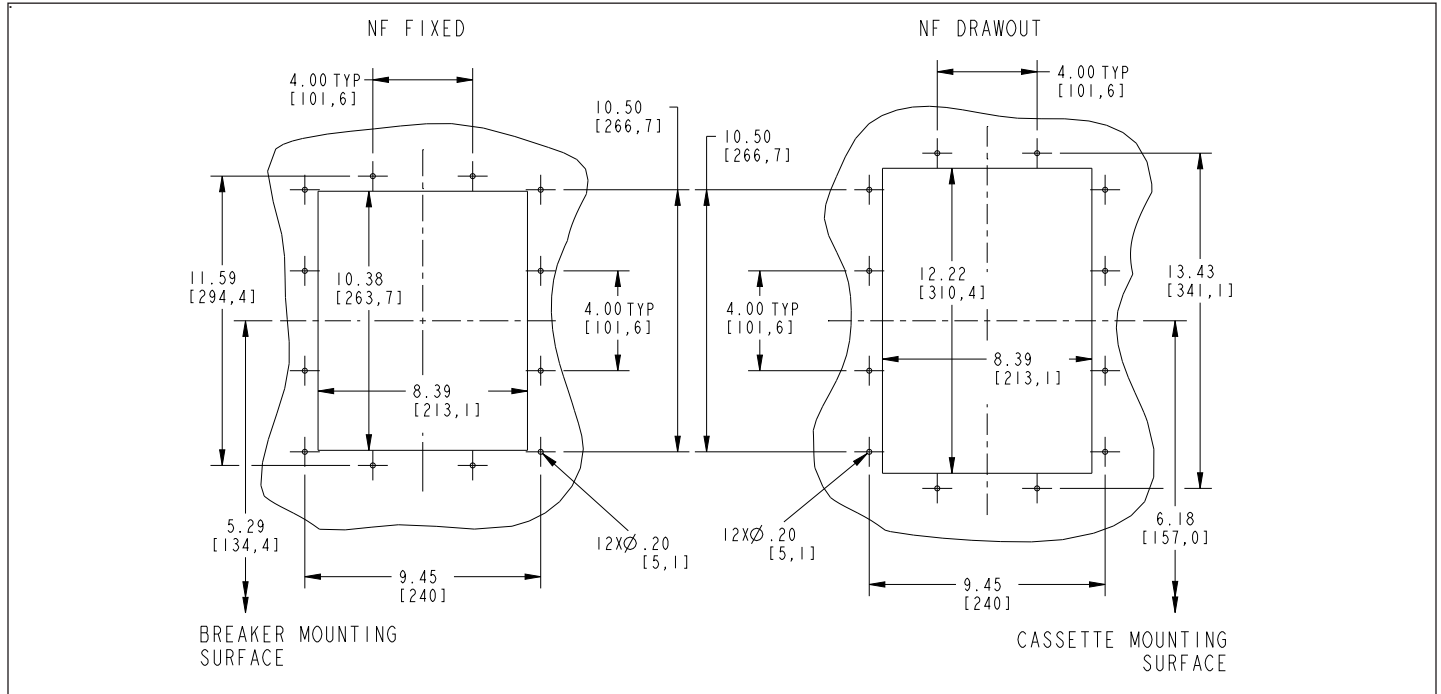


Figure 3. Step 1 - Dimensions in inches (mm) for a NF frame breaker.

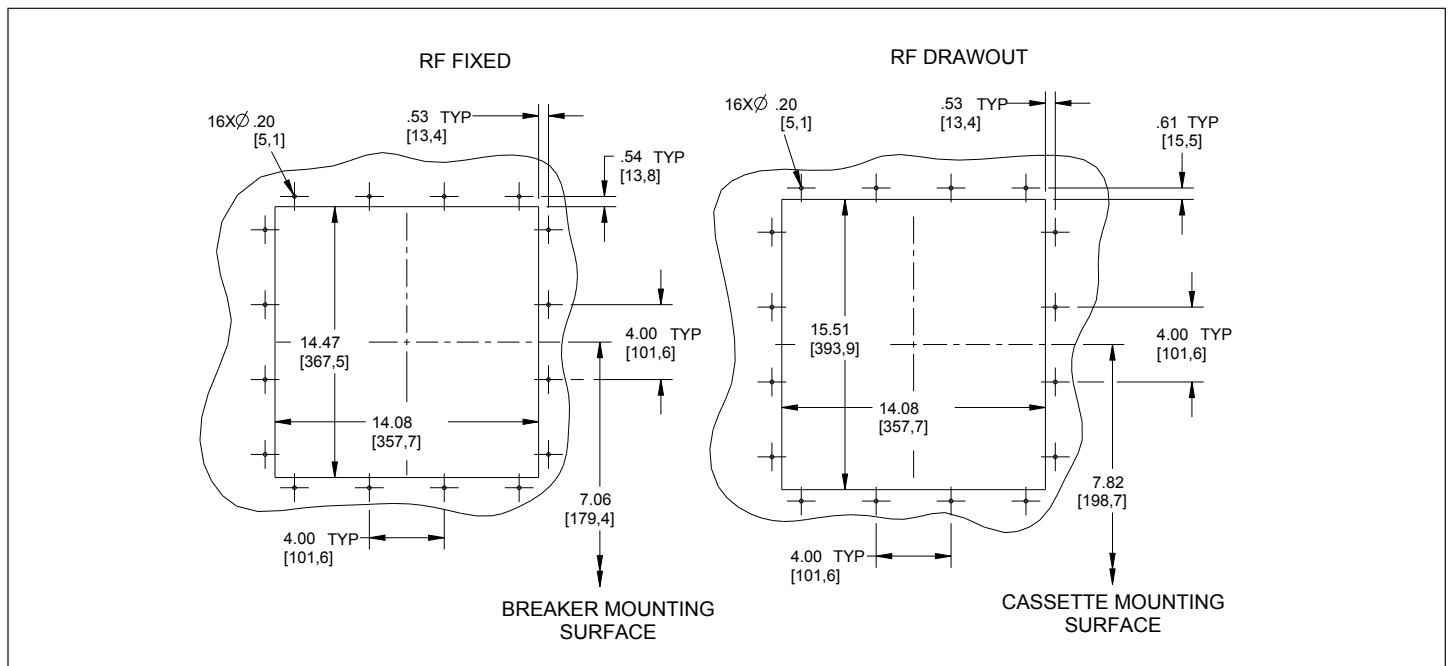


Figure 4. Step 1 - Dimensions in inches (mm) for a RF frame breaker.

### Section 3: Escutcheon removal

To remove the escutcheon and gasket assembly, reverse the procedure just described in Section 2.

One fixed breaker escutcheon only for reference purposes.

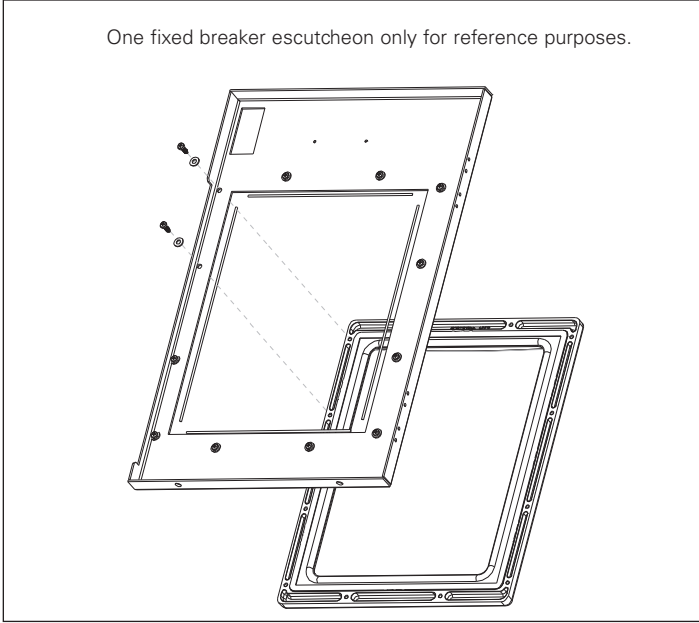


Figure 5. Step 2.

**Notes:**

**Disclaimer of Warranties and Limitation of Liability**

The information, recommendations, descriptions, and safety notations in this document are based on Eaton's experience and judgment. This instructional literature is published solely for information purposes and should not be considered all-inclusive. If further information is required, you should consult an authorized Eaton sales representative.

The sale of the product shown in this literature is subject to the terms and conditions outlined in appropriate Eaton selling policies or other contractual agreement between the parties. This literature is not intended to and does not enlarge or add to any such contract. The sole source governing the rights and remedies of any purchaser of this equipment is the contract between the purchaser and Eaton.

**NO WARRANTIES, EXPRESSED OR IMPLIED, INCLUDING WARRANTIES OF FITNESS FOR A PARTICULAR PURPOSE OR MERCHANTABILITY, OR WARRANTIES ARISING FROM COURSE OF DEALING OR USAGE OF TRADE, ARE MADE REGARDING THE INFORMATION, RECOMMENDATIONS, AND DESCRIPTIONS CONTAINED HEREIN.**

In no event will Eaton be responsible to the purchaser or user in contract, in tort (including negligence), strict liability or otherwise for any special, indirect, incidental or consequential damage or loss whatsoever, including but not limited to damage or loss of use of equipment, plant or power system, cost of capital, loss of power, additional expenses in the use of existing power facilities, or claims against the purchaser or user by its customers resulting from the use of the information, recommendations and description contained herein.

The information contained in this manual is subject to change without notice.

**Eaton**  
1000 Eaton Boulevard  
Cleveland, OH 44122  
United States  
Eaton.com

© 2019 Eaton  
All Rights Reserved  
Printed in USA  
Publication No. IL01301012E / LNT15  
Part No. IL01301012EH06  
January 2019