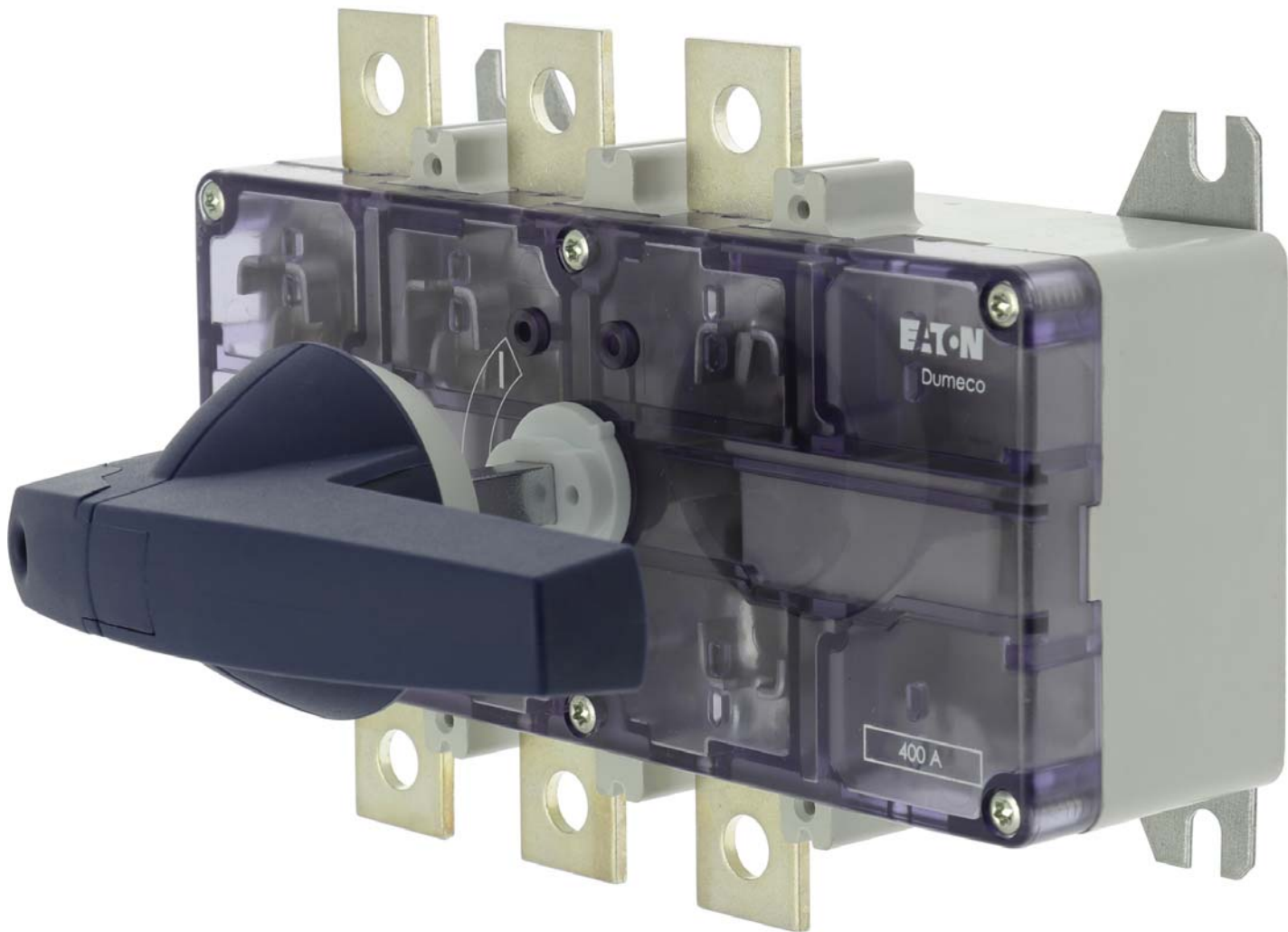


Industrial switch-disconnectors

Dumeco switch-disconnector ranges

OSA, Pasco and CCP2 switch-disconnectors fuses



EATON

Powering Business Worldwide



We make what matters work.*



At Eaton, we believe that power is a fundamental part of just about everything people do. That's why we're dedicated to helping our customers find new ways to manage electrical, hydraulic and mechanical power more efficiently, safely and sustainably. To improve people's lives, the communities where we live and work, and the planet our future generations depend upon. Because this is what really matters. And we're here to make sure it works.

To learn more go to: [Eaton.com/whatmatters](https://www.eaton.com/whatmatters)

EATON
Powering Business Worldwide

We make what matters work.

Safe switching, isolating and control

Eaton's high performance, high quality, robust Switch-disconnectors are the perfect solution for industrial switchboards and panels.

Starting from 25 A Switch-disconnector fuses right through to 3150 A Isolators, we have a wide range of products to suit a variety of industrial segment needs. In-built quality and reliability ensures the safety of both equipment and those who operate it. Eaton's switch range comes with a multitude of approvals making our products suitable for use worldwide.

Visit www.eaton.eu/switchdisconnectors for detailed product information on Eaton's switch-disconnectors (online catalogue, CAD models, data sheets and documentation).

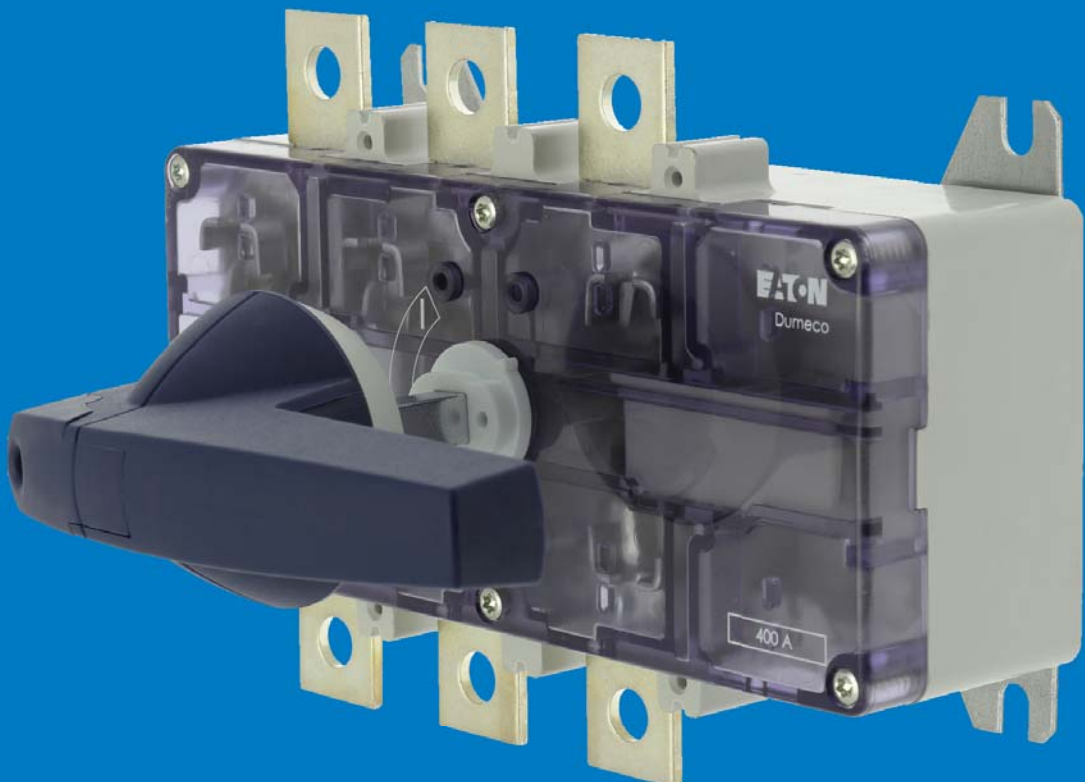


Table of contents

1 Switch-disconnectors, 160 A to 3150 A, 690 V a.c. 6



DMV Dumeco switch-disconnectors range overview - 160 A to 3150 A, 690 V a.c.	7 - 8
Handles and shafts	9 - 11
Accessories	12
Technical data	13 - 15
Outline drawings	16 - 18

2 Switch-disconnectors, 40 A to 160 A, 690 V a.c. 20



DMM Dumeco switch-disconnectors range overview - 40 A to 160 A, 690 V a.c., AC-23A	21 - 23
Handles and shafts	24 - 25
Accessories	26
Technical data	27
Outline drawings	28

3 Switch-disconnectors, 40 A and 63 A, 415 V a.c. 30



DCM Duco switch-disconnectors range overview - 40 and 63 A, 415 V a.c., AC-21 A and AC-22 A	31
Handles and shafts	32
Accessories	33
Technical data	34
Outline drawings	34

4 Change-over mechanisms, 160 A to 2000 A, 690 V a.c. 36



DMV Change-over mechanisms range overview - 160 A to 2000 A, 690 V a.c.	37
Handles and shafts	38 - 39
Outline drawings	40 - 42

5 Multipole mechanisms, 160 A to 1000 A, 690 V a.c. 44



DMV multipole mechanisms range overview - 160 A to 1000 A, 690 V a.c.	45
Handles and shafts	45 - 47
Outline drawings	48 - 49

6 Change-over and multipole switches, 40 A to 100 A, 690 V a.c. 50








QM Change-over and multiple switches range overview - 40 A to 100 A, 690 V a.c.	51
Accessories	52 - 53
Technical data	54
Outline drawings	55

7 Switch-disconnectors fuses, 40 A to 800 A, 690 V a.c. 56



QSA DIN Switch-disconnectors fuses range overview - 40 A to 800 A, 690 V a.c.	57
QSA BS Switch-disconnectors fuses range overview - 40 A to 800 A, 690 V a.c.	58
Handles and shafts	59 - 61
Accessories	61 - 65
Technical data	66 - 69
Outline drawings	70 - 75
Compatible Eaton's Bussmann series fuse links	76 - 80

8	Switch-disconnectors fuses, 25 A, 35 A and 50 A, 400 V a.c.	82
	Pasco switch-disconnectors fuses range overview - 25 A, 35 A and 50 A, 400 V a.c.	83
	Paco fuse holder range overview - 25 A and 50 A, 400 V a.c.	83
	Accessories	83 - 84
	Compatible Eaton's Bussmann series fuse links	84
	Outline drawings	84
	Technical data	85
9	Switch-disconnectors for DC applications, 63 A to 1250 A, 1000 V d.c.	86
	DDC Dumeco range overview - 63 A to 1250 A, 1000 V d.c.	87 - 88
	Handles and shafts	89 - 90
	Accessories	91
	Technical data	92 - 93
	Outline drawings	94 - 95
10	K type handles dimensions	96
	A Type handles mounted directly on switch	96
	C Type handles, without interlock function, mounted on cover	97
	D/P Type handles padlockable for mounting on hinged door, with interlock function	98
	D/C Type handle with cylinder lock for mounting on hinged door, supplied with two keys, with interlock function	99
11	Compact Circuit Protector UL 98 Class CF disconnect switches	100
	CCP2 disconnect switches range overview - 30 A, 60 A and 100 A, 347 V a.c. and 600 V a.c.	101 - 102
	Handles and shafts	102 - 103
	Accessories	104
	Technical data	105
	Outline drawings	106 - 110
	Compatible Eaton's Bussmann series CUBEFuse	111 - 112
12	Compact Circuit Protector for use with class CC, supplemental and IEC 10 x 38 mm fuse links	114
	CCP2 disconnect switches range overview for use with class CC, Supplemental and IEC 10 x 38 mm fuse links	115 - 116
	Handles and shafts	117
	Accessories	118
	Technical data	119
	Outline drawings	120 - 121
	Compatible Eaton's Bussmann series fuse links	122 - 129
13	Index	130

DMV Dumeco switch-disconnectors, 160 A to 3150 A, 690 V a.c.

1



Description

The DMV Dumeco switch-disconnectors have excellent short-circuit making capacities thanks to their parallel knife contacts with double break per phase. They provide unbeatable safety protection for equipment and personnel involved in their operation and maintenance.

Standards/Approvals

- IEC 60947-3
- EAC
- KEMA-KEUR
- Lloyd's Register
- CCC up to 1250 A

Technical data

- Voltage: 690 V ac.
- Current: 160 A to 3150 A
- 3-pole, 3-pole + solid neutral and 4-pole
- Direct handle operation or with door mounted handle

Features

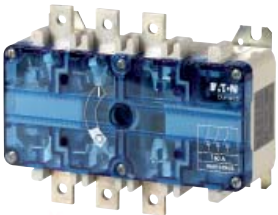
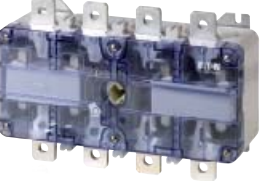
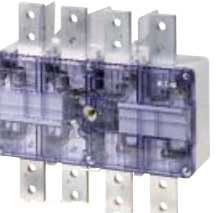



- Parallel knife-contacts with double-break per phase
- Visible contact separation
- Forced contact breaking within 90 degrees
- Totally enclosed compact housing, made of non-tracking, heat resistant insulations material

DMV Dumeco switch-disconnectors, 160 A to 3150 A, 690 V a.c.

DMV range overview

	160 A	250 A	400 A	630 A	1000 A	1250 A	1600 A	2000 A	2500 A	3150 A
Switch-disconnectors without operating shaft and handle	✓	✓	✓	✓	✓	✓	✓	✓		
Switch-disconnectors with operating shaft and C-Type handles		✓	✓	✓	✓					
Switch-disconnectors with 400 mm shaft and red/yellow or grey handle		✓	✓							
Switch-disconnectors with 300 mm shaft and K-Line handle									✓	✓

DMV without operating shaft and handle

	Current rating	Number of poles	Part number	Article number	Pack qty	Connection
	160 A	3P	DMV-160N/3	1814178	1	
	160 A	3P	DMV-160N/3+TC	1814175	1	With box terminal clamps
	160 A	3P	DMVS-160N/3	1814186	1	With larger bolt connection terminals
	160 A	3P + solid neutral	DMV-160N/1	1814177	1	
	160 A	3P + solid neutral	DMV-160N/1+TC	1814174	1	With box terminal clamps
	160 A	3P + solid neutral	DMVS-160N/1	1814187	1	With larger bolt connection terminals
	160 A	4P	DMV-160N/4	1814179	1	
	160 A	4P	DMV-160N/4+TC	1814176	1	With box terminal clamps
	160 A	4P	DMVS-160N/4	1814188	1	With larger bolt connection terminals
	250 A	3P	DMV-250N/3	1814408	1	
	250 A	3P + solid neutral	DMV-250N/1	1814409	1	
	250 A	4P	DMV-250N/4	1814410	1	
	400 A	3P	DMV-400N/3	1814411	1	
	400 A	3P + solid neutral	DMV-400N/1	1814412	1	
	400 A	4P	DMV-400N/4	1814413	1	
	630 A	3P	DMV-630N/3	1814442	1	
	630 A	3P + solid neutral	DMV-630N/1	1814443	1	
	630 A	4P	DMV-630N/4	1814444	1	
	1000 A	3P	DMV-1000N/3	1814445	1	
	1000 A	3P + solid neutral	DMV-1000N/1	1814446	1	
	1000 A	4P	DMV-1000N/4	1814447	1	
	1250 A	3P	DMV-1250N/3	1814590	1	
	1250 A	3P + solid neutral	DMV-1250N/1	1814591	1	
	1250 A	4P	DMV-1250N/4	1814592	1	
	1600 A	3P	DMV-1600N/3	1814595	1	
	1600 A	3P + solid neutral	DMV-1600N/1	1814596	1	
	1600 A	4P	DMV-1600N/4	1814597	1	
	2000 A	3P	DMV-2000N/3	1814065	1	

1814186

1814446

1814597

Switch-disconnectors, 160 A to 3150 A, 690 V a.c.

DMV Dumeco switch-disconnectors, 160 A to 3150 A, 690 V a.c.

1

DMV with operating shaft and knob for cover mounting, without interlock function, for example when mounted on the cover of Eaton's Halyester enclosure range



1814422

Current rating	Number of poles	Part number	Article number	Pack qty
250 A	3P	DMV-250N/3+SH	1814420	1
250 A	3P + solid neutral	DMV-250N/1+SH	1814421	1
250 A	4P	DMV-250N/4+SH	1814422	1
400 A	3P	DMV-400N/3+SH	1814423	1
400 A	3P + solid neutral	DMV-400N/1+SH	1814424	1
400 A	4P	DMV-400N/4+SH	1814425	1
630 A	3P	DMV-630N/3+SH	1814448	1
630 A	3P + solid neutral	DMV-630N/1+SH	1814449	1
630 A	4P	DMV-630N/4+SH	1814450	1
1000 A	3P	DMV-1000N/3+SH	1814451	1
1000 A	3P + solid neutral	DMV-1000N/1+SH	1814452	1
1000 A	4P	DMV-1000N/4+SH	1814453	1

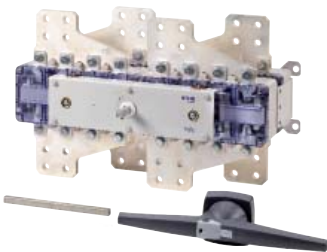
DMV with padlockable rotary handle, with door interlock function and 400 mm metal shaft



6094966

Current rating	Number of poles	Handle with padlock	Shaft length	Part number	Article number	Pack qty
250 A	3P	Red/Yellow	400 mm	DMV-250/3/M4/P-R	6094966	1
250 A	3P	Grey	400 mm	DMV-250/3/M4/P-G	6099271	1
250 A	4P	Red/Yellow	400 mm	DMV-250/4/M4/P-R	6094970	1
250 A	4P	Grey	400 mm	DMV-250/4/M4/P-G	6099273	1
400 A	3P	Red/Yellow	400 mm	DMV-400/3/M4/P-R	6094967	1
400 A	3P	Grey	400 mm	DMV-400/3/M4/P-G	6099272	1
400 A	4P	Red/Yellow	400 mm	DMV-400/4/M4/P-R	6094971	1
400 A	4P	Grey	400 mm	DMV-400/4/M4/P-G	6099274	1

DMV with padlockable rotary handle, with door interlock function and 300 mm metal shaft, supplied with two 1NO + 1NC auxiliaries



6084846

Current rating	Number of poles	Handle with padlock	Shaft length	Part number	Article number	Pack qty
2500 A	3P	Grey	300 mm	DMV-2500/3/M6/2HI11/K6-PG	6093244	1
2500 A	3P + neutral	Grey	300 mm	DMV-2500/3N/M6/2HI11/K6-PG	6093243	1
2500 A	4P	Grey	300 mm	DMV-2500/4/M6/2HI11/K6-PG	6093242	1
3150 A	3P	Grey	300 mm	DMV-3150/3/M6/2HI11/K6-PG	6084848	1
3150 A	3P + neutral	Grey	300 mm	DMV-3150/3N/M6/2HI11/K6-PG	6084847	1
3150 A	4P	Grey	300 mm	DMV-3150/4/M6/2HI11/K6-PG	6084846	1

Handles and shafts for DMV Dumeco (Handles and shaft are to be ordered separately)

Handles mounting types overview

1

DMV	K Types handles	Shaft square mm □	A Type handles			C Type handles		D/P Type handles			D/C Type handles		
			Blue	Red	Grey	Blue	Red	Blue	Red/ Yellow	Grey	Blue	Red/ Yellow	Grey
DMV 160N	K2S	6 x 6	✓	✓		✓	✓	✓	✓	✓	✓	✓	✓
DMVS 160N	K3	10 x 10	✓	✓	✓	✓	✓	✓	✓	✓	✓	✓	✓
DMV 250N	K3	10 x 10	✓	✓	✓	✓	✓	✓	✓	✓	✓	✓	✓
DMV 400N	K3	10 x 10	✓	✓	✓	✓	✓	✓	✓	✓	✓	✓	✓
DMV 630N	K5	14 x 14	✓	✓	✓	✓	✓	✓	✓	✓	✓	✓	✓
DMV 1000N	K5	14 x 14	✓	✓	✓	✓	✓	✓	✓	✓	✓	✓	✓
DMV 1250N	K6	14 x 14	✓	✓	✓	✓	✓	✓	✓	✓	✓	✓	✓
DMV 1600N	K6	14 x 14	✓	✓	✓	✓	✓	✓	✓	✓	✓	✓	✓
DMV 2000N	K6	14 x 14	✓	✓	✓	✓	✓	✓	✓	✓	✓	✓	✓
DMV 2500	K6	14 x 14								✓			
DMV 3150	K6	14 x 14								✓			

A Type: Handle mounted directly on switch

C Type: Handle without interlock function, for example when mounted on the cover of Eaton's Halyester enclosure range

D/P Type: Handle padlockable for mounting on hinged door, with interlock function

D/C Type: Handle with cylinder lock for mounting on hinged door, supplied with two keys, with interlock function

See handles dimensions pages 96 to 99

A Type handles

Mounted directly on switch, suitable for DMV 160N



K2S A handle
1818003

K3 A handle
1818202

K5 A handle
1818012

K6 A handle
1818013

Shafts

DMV	A Type handles		Shaft mm □	Metal shafts					Pack qty	
	Blue	Red		116 mm	132 mm	148 mm	172 mm	270 mm		400 mm
DMV 160N	K2SAB 1818003	K2SAR 1818004	6 x 6	4K6116MMK1/2S 1314996	4K6132MMK1/2S 1314751	4K6148MMK1/2S 1314752	4K6172MMK1/2S 1314691	4K6270MMK1/2S 1314692	4K6400MMK1/2S 1314693	1

Mounted directly on switch, suitable for DMVS 160N up to DMV 2000N

DMV	A Type handles			Shaft mm □	Metal shafts				Pack qty	
	Blue	Red	Grey		135 mm	200 mm	245 mm	400 mm		600 mm
DMVS 160N	K3AB 1818110	K3AR 1818111	K3AG 1818202	10 x 10	4K10K3H135 1050240		4K10K3H245 1050242	4K10K3H400 1050243		1
DMV 250N										
DMV 400N										
DMV 630N	K5AB 1818011	K5AR 1818012		14 x 14		4K14K5H200 1050244		4K14K5H400 1050247	4K14K5H600 6090659	1
DMV 1000N										
DMV 1250N	K6AB 1818013	K6AR 1818014		14 x 14		4K14K6H200 1050248		4K14K6H400 1050250		1
DMV 1600N										
DMV 2000N										

Switch-disconnectors, 160 A to 3150 A, 690 V a.c.

Handles and shafts for DMV Dumeco (Handles and shaft are to be ordered separately)

1 C Type handles

Without interlock function, for example when mounted on the cover of Eaton's Halyester enclosure rangesuitable for DMV 160N



DMV	C Type handles		Shaft mm□	Metal shafts						Pack qty
	Handle colours			Shaft length						
	Blue	Red		116 mm	132 mm	148 mm	172 mm	270 mm	400 mm	
DMV 160N	K2SCB 1818017	K2SCR 1818018	6 x 6	4K6116MMK1/2S 1314996	4K6132MMK1/2S 1314751	4K6148MMK1/2S 1314752	4K6172MMK1/2S 1314691	4K6270MMK1/2S 1314692	4K6400MMK1/2S 1314693	1

Without interlock function, for example when mounted on the cover of Eaton's Halyester enclosure range, suitable for DMVS 160N up to DMV 2000N

DMV	C Type handles		Shaft mm□	Metal shafts					Pack qty
	Handle colours			Shaft length					
	Blue	Red/ yellow		135 mm	200 mm	245 mm	400 mm	600 mm	
DMVS 160N	K3CB 1818068	K3CR 1818112	10 x 10	4K10K3H135 1050240		4K10K3H245 1050242	4K10K3H400 1050243		1
DMV 250N									
DMV 400N									
DMV 630N	K5CB 1818025	K5CR 1818026	14 x 14		4K14K5H200 1050244		4K14K5H400 1050247	4K14K5H600 6090659	1
DMV 1000N									
DMV 1250N	K6CB 1818027	K6CR 1818028	14 x 14		4K14K6H200 1050248		4K14K6H400 1050250		1
DMV 1600N									
DMV 2000N									

D/P Type handles

Padlockable for mounting on hinged door, with interlock function, suitable for DMV 160N



DMV	D/P Type handles			Shaft mm□	Metal shafts						Pack qty
	Handle Type				Shaft length						
	Blue	Red	Grey		116 mm	132 mm	148 mm	172 mm	270 mm	400 mm	
DMV 160N	K2SDB/P 1818032	K2SDR/P 1818033	K2SDG/P 1818034	6 x 6	4K6116MMK1/2S 1314996	4K6132MMK1/2S 1314751	4K6148MMK1/2S 1314752	4K6172MMK1/2S 1314691	4K6270MMK1/2S 1314692	4K6400MMK1/2S 1314693	1

Handles and shafts for DMV Dumeco (Handles and shaft are to be ordered separately)

1

D/P Type handles

Padlockable for mounting on hinged door, with interlock function, suitable for DMVS 160N up to DMV 2000N

DMV	D/P Type handles			Metal shafts					Pack qty	
	Handle colours			Shaft mm□	Length of shaft					
	Blue	Red	Grey		135 mm	200 mm	245 mm	400 mm		600 mm
DMVS 160N	K3DB/P 1818113	K3DR/P 1818096	K3DG/P 1818069	10 x 10	4K10K3H135 1050240		4K10K3H245 1050242	4K10K3H400 1050243		1
DMV 250N										
DMV 400N										
DMV 630N	K5DB/P 1818056	K5DR/P 1818057	K5DG/P 1818058	14 x 14		4K14K5H200 1050244		4K14K5H400 1050247	4K14K5H600 6090659	1
DMV 1000N										
DMV 1250N	K6DB/P 1818078	K6DR/P 1818063	K6DG/P 1818064	14 x 14		4K14K6H200 1050248		4K14K6H400 1050250		1
DMV 1600N										
DMV 2000N										

D/C Type handles

With cylinder lock for mounting on hinged door, supplied with two keys, with interlock function, suitable for DMV 160N



DMV	D/C Type handles			Shaft mm□	Metal shafts						Pack qty
	Blue	Red	Grey		116 mm	132 mm	148 mm	172 mm	270 mm	400 mm	
DMV 160N	K2SDB/C 1818038	K2SDR/C 1818039	K2SDR/C 1818040	6 x 6	4K6116MMK1/2S 1314996	4K6132MMK1/2S 1314751	4K6148MMK1/2S 1314752	4K6172MMK1/2S 1314691	4K6270MMK1/2S 1314692	4K6400MMK1/2S 1314693	1

With cylinder lock for mounting on hinged door, supplied with two keys, with interlock function, suitable for DMVS 160N up to DMV 2000N

DMV	D/C Type handles			Metal shafts					Pack qty	
	Handle Type			Shaft mm□	Shaft length					
	Blue	Red	Grey		135 mm	200 mm	245 mm	400 mm		600 mm
DMVS 160N	K3DB/C 1818114	K3DR/C 1818097	K3DG/C 1818070	10 x 10	4K10K3H135 1050240		4K10K3H245 1050242	4K10K3H400 1050243		1
DMV 250N										
DMV 400N										
DMV 630N	K5DB/C 1818059	K5DR/C 1818060	K5DG/C 1818061	14 x 14		4K14K5H200 1050244		4K14K5H400 1050247	4K14K5H600 6090659	1
DMV 1000N										
DMV 1250N	K6DB/C 1818065	K6DR/C 1818066	K6DG/C 1818067	14 x 14		4K14K6H200 1050248		4K14K6H400 1050250		1
DMV 1600N										
DMV 2000N										

Switch-disconnectors, 160 A to 3150 A, 690 V a.c.

Accessories for DMV Dumeco

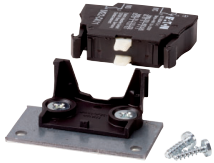
1 Transparent terminal cover



400894

DMV Type	Part number	Article number	Pack qty
DMV 160N	COVERDMV160	1314230	1
DMVS 160N, DMV 250N, DMV 400N	EXTENDED-COVERDMVS160N/400N	EP-400894	1
DMV 630N and DMV 1000N	COVERDMV630N/1000N	1314830	1

Auxiliary switch, including fixing adaptor



1314398

DMV Type	Part number	Article number	Pack qty
DMV 160N	AUX1NO+1NCDMV160N	1314398	1
DMVS 160N, DMV 250N up to DMV 2000N	AUX1NO+1NCDMVS160-2000	1314736	1

Spare connection kits (Connection kits are supplied with switch-disconnector as standard)



1314031

DMV Type	Bolt connection	Part number	Article number	Pack qty
DMV 160N	M6 x 20	KITM6X20	1314031	1
DMVS 160N, DMV 250N	M8 x 20	KITM8X20	1314927	1
DMV 400N	M10 x 20	KITM10X20	1314915	1
DMV 630N	M10 x 30	KITM10X30	1314648	1
DMV 1000N	M12 x 35	KITM12X35	1314857	1

Shaft extension kit for extending shaft length



1050256

DMV Type	Part number	Article number	Part number	Article number	Pack qty
	100 mm	100 mm	200 mm	200 mm	
DMV 1250 N	K6100VERL	1050256	K6200VERL	1050257	1
DMV 1600N					1

Technical data for DMV Dumeco

		DMV 160N	DMVS 160N	DMV 250N	DMV 400N	DMV 630N
Conventional free air thermal current	I_{th}	160 A	160 A	250 A	400 A	630 A
Conventional enclosed thermal current	I_{the}	160 A	160 A	250 A	400 A	630 A
Rated uninterrupted current	I_u	160 A	160 A	250 A	400 A	630 A
Rated operational voltage	U_e	690 V a.c.	690 V a.c.	690 V a.c.	690 V a.c.	690 V a.c.
Rated insulation voltage	U_i	1000 V	1000 V	1000 V	1000 V	1000 V
Rated impulse withstand voltage	U_{imp}	8 kV	8 kV	8 kV	8 kV	12 kV
Rated frequency		50 - 60 Hz	50 - 60 Hz	50 - 60 Hz	50 - 60 Hz	50 - 60 Hz
Ambient temperature						
Operation temperature		-25°C...55°C	-25°C...55°C	-25°C...55°C	-25°C...55°C	-25°C...55°C
Storage temperature		-30°C...80°C	-30°C...80°C	-30°C...80°C	-30°C...80°C	-30°C...80°C
Rated operational current						
AC-21A						
At $U_e = 415$ V AC-21A	I_e	160 A	160 A	250 A	400 A	630 A
At $U_e = 500$ V AC-21A	I_e	160 A	160 A	250 A	400 A	630 A
At $U_e = 690$ V AC-21A	I_e	125 A	160 A	250 A	400 A	630 A
AC-22A						
At $U_e = 415$ V AC-22A	I_e	160 A	160 A	250 A	400 A	630 A
At $U_e = 500$ V AC-22A	I_e	160 A	160 A	250 A	400 A	630 A
At $U_e = 690$ V AC-22A	I_e	125 A	160 A	250 A	315 A	630 A
AC-23A						
At $U_e = 415$ V AC-23A	I_e	154 A	160 A	250 A	333 A	630 A
At $U_e = 500$ V AC-23A	I_e	106 A	156 A	220 A	254 A	575 A
At $U_e = 690$ V AC-23A	I_e	-	140 A	140 A	140 A	437 A
Rated operational power						
At $U_e = 415$ V AC-23A	P	90 kW	90 kW	147 kW	180 kW	375 kW
At $U_e = 500$ V AC-23A	P	75 kW	110 kW	160 kW	180 kW	425 kW
At $U_e = 690$ V AC-23A	P	-	132 kW	132 kW	132 kW	425 kW
Rated breaking capacity						
At $U_e = 415$ V		1232 A	1280 A	2000 A	2664 A	5040 A
At $U_e = 500$ V		848 A	1248 A	1760 A	2032 A	4600 A
At $U_n = 690$ V			1120 A	1120 A	1120 A	3496 A
Rated short-time withstand current	I_{cw}	8 kA - 0.2 s	12 kA - 0.3 s	12 kA - 0.3 s	12 kA - 0.3 s	36 kA - 0.3 s
Short-circuit rating						
Fuse link max		160 /100	500/250	500/250	500/250	1000/630
Rated conditional short-circuit current	I_n	$I_n = 160$ 50 kA	$I_n = 500$ 50 kA	$I_n = 500$ 50 kA	$I_n = 500$ 50 kA	$I_n = 1000$ 50 kA
	I_q	$I_n = 100$ 100 kA	$I_n = 250$ 100 kA	$I_n = 250$ 100 kA	$I_n = 250$ 100 kA	$I_n = 630$ 100 kA
Breaking current	I_n	$I_n = 160$ 50 kA	$I_n = 500$ 40 kA	$I_n = 500$ 40 kA	$I_n = 500$ 40 kA	$I_n = 1000$ 70 kA
	I_n	$I_n = 100$ 14.5 kA	$I_n = 250$ 33 kA	$I_n = 250$ 33 kA	$I_n = 250$ 33 kA	$I_n = 630$ 65 kA
Max let-through energy	I_n	$I_n = 160$ 600 kA ² s	$I_n = 500$ 1700 kA ² s	$I_n = 500$ 1700 kA ² s	$I_n = 500$ 1700 kA ² s	$I_n = 1000$ 4200 kA ² s
	I_n	$I_n = 100$ 67 kA ² s	$I_n = 250$ 380 kA ² s	$I_n = 250$ 380 kA ² s	$I_n = 250$ 380 kA ² s	$I_n = 630$ 3200 kA ² s
Power dissipation per pole	P	6.9 W	1.8 W	4.5 W	11.5 W	14 W
Durability - maximum cycles (on+off)		10000	10000	10000	10000	5000
Pollution degree		III/3	III/3	III/3	III/3	III/3
Protection class		IP20 without terminal cover IP20 with terminal cover				
Terminal capacities						
Flat connection with busbars		75 mm ²	120 mm ²	120 mm ²	240 mm ²	400 mm ²
Terminal screw		M6 x 16	M8 x 20	M8 x 20	M10 x 20	M10 x 30
Tightening torque for terminal screw		-	14 Nm	14 Nm	28 Nm	28 Nm
Standards		IEC 60947-1 and -3				
Certification		CCC, KEMA-KEUR, Lloyd's Register				

Switch-disconnectors, 160 A to 3150 A, 690 V a.c.

Technical data for DMV Dumeco

1

		DMV 1000N	DMV 1250N	DMV 1600N	DMV 2000N
Conventional free air thermal current	I_{th}	1000 A	1250 A	1600 A	2000 A
Conventional enclosed thermal current	I_{the}	1000 A	1250 A	1600 A	2000 A
Rated uninterrupted current	I_u	1000 A	1250 A	1600 A	2000 A
Rated operational voltage	U_e	690 V a.c.	690 V a.c.	690 V a.c.	690 V a.c.
Rated insulation voltage	U_i	1000 V	1000 V	1000 V	1000 V
Rated impulse withstand voltage	U_{imp}	12 kV	12 kV	12 kV	12 kV
Rated frequency		50 - 60 Hz	50 - 60 Hz	50 - 60 Hz	50 - 60 Hz
Ambient temperature					
Operation temperature		-25°C...55°C	-25°C...55°C	-25°C...55°C	-25°C...55°C
Storage temperature		-30°C...80°C	-30°C...80°C	-30°C...80°C	-30°C...80°C
Rated operational current					
AC-21A					
At $U_e = 415$ V AC-21A	I_e	1000 A	1250 A	1600 A	2000 A
At $U_e = 500$ V AC-21A	I_e	1000 A	1250 A	1600 A	2000 A
At $U_e = 690$ V AC-21A	I_e	1000 A	1250 A	1600 A	2000 A
AC-22A					
At $U_e = 415$ V AC-22A	I_e	1000 A	1250 A	1600 A	2000 A
At $U_e = 500$ V AC-22A	I_e	1000 A	1250 A	1600 A	2000 A
At $U_e = 690$ V AC-22A	I_e	1000 A	1250 A	1600 A	2000 A
AC-23A					
At $U_e = 415$ V AC-23A	I_e	759 A	1250 A	1250 A	1250 A
At $U_e = 500$ V AC-23A	I_e	575 A	909 A	909 A	909 A
At $U_e = 690$ V AC-23A	I_e	437 A	630 A	630 A	630 A
Rated operational power					
At $U_e = 415$ V AC-23A	P	425 kW	750 kW	750 kW	750 kW
At $U_e = 500$ V AC-23A	P	425 kW	630 kW	630 kW	630 kW
At $U_e = 690$ V AC-23A	P	425 kW	630 kW	630 kW	630 kW
Rated breaking capacity					
At $U_e = 415$ V		6072 A	10000 A	10000 A	10000 A
At $U_e = 500$ V		4600 A	7272 A	7272 A	7272 A
At $U_n = 690$ V		3496 A	5040 A	4050 A	5040 A
Rated short-time withstand current	I_{cw}	36 kA - 0.3 s	50 kA - 1 s	50 kA - 1 s	50 kA - 1 s
Short-circuit rating					
Fuse link max		1000/630	-	-	-
Rated conditional short-circuit current	I_q	$I_n = 1000$ 50 kA	-	-	-
		$I_n = 630$ 100 kA	-	-	-
Breaking current	I_q	$I_n = 1000$ 70 kA	-	-	-
		$I_n = 630$ 65 kA	-	-	-
Max let-through energy		$I_n = 1000$ 4200 kA ² s	-	-	-
		$I_n = 630$ 3200 kA ² s	-	-	-
Power dissipation per pole	P	35.3 W	27.5 W	45 W	60 W
Durability - maximum cycles (on+off)		5000	5000	5000	5000
Pollution degree		III/3	III/3	III/3	III/3
Protection class		IP20 without terminal cover IP20 with terminal cover			
Terminal capacities					
Flat conductor connection with busbars		600 mm ²	800 mm ²	1000 mm ²	1500 mm ²
Terminal screw		M12 x 35	M16 x 50	M12 x 50 (2 x)	M12 x 50 (2 x)
Tightening torque for terminal screw		28 Nm	60 Nm	40 Nm	40 Nm
Standards		IEC 60947-1 and -3			
Certification		CCC, KEMA-KEUR, Lloyd's Register			

Technical data for DMV Dumeco

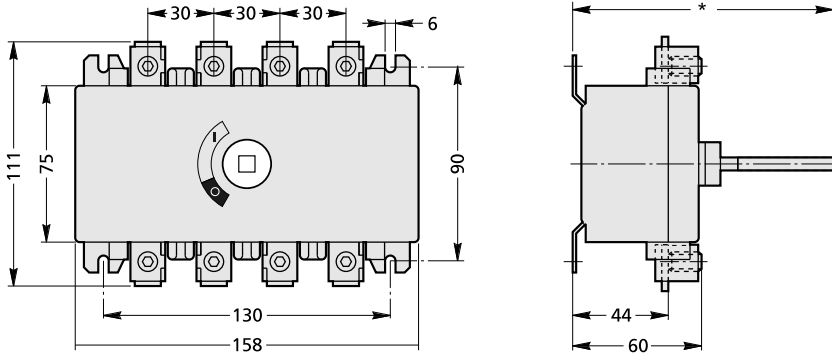
		DMV 2500	DMV 3150
Conventional free air thermal current	I_{th}	2500 A	3150 A
Conventional enclosed thermal current	I_{the}	2500 A	3150 A
Rated uninterrupted current	I_u	2500 A	3150 A
Rated operational voltage	U_e	690 V a.c.	690 V a.c.
Rated insulation voltage	U_i	1000 V	1000 V
Rated impulse withstand voltage	U_{imp}	12 kV	12 kV
Rated frequency		50 - 60 Hz	50 - 60 Hz
Ambient temperature			
Operation temperature		-25°C...55°C	-25°C...55°C
Storage temperature		-30°C...80°C	-30°C...80°C
Rated operational current			
AC-21A			
At $U_e = 415$ V AC-21A	I_e	2500 A	3150 A
At $U_e = 500$ V AC-21A	I_e	2500 A	3150 A
At $U_e = 690$ V AC-21A	I_e	2500 A	3150 A
Rated operational power			
At $U_e = 415$ V AC-23A	P	1400 kW	1400 kW
At $U_e = 500$ V AC-23A	P	-	-
At $U_e = 690$ V AC-23A	P	-	-
Rated breaking capacity			
At $U_e = 415$ V		10000 A	10000 A
At $U_e = 500$ V		7272 A	7272 A
At $U_n = 690$ V		5040 A	5040 A
Rated short-time withstand current	I_{cw}	65 kA - 1 s	65 kA - 1 s
Power dissipation per pole	P	68.7 W	108.8 W
Durability - maximum cycles (on+off)		5000	5000
Pollution degree		III/3	III/3
Protection class		IP20 without terminal cover IP20 with terminal cover	
Terminal capacities			
Flat conductor connection with busbars		3000 mm ²	3000 mm ²
Terminal screw		M12 x 50 (2x)	M12 x 50 (2x)
Tightening torque for terminal screw		40 Nm	40 Nm
Standards		IEC 60947-1 and -3	
Certification		CCC, KEMA-KEUR, Lloyd's Register	

Switch-disconnectors, 160 A to 3150 A, 690 V a.c.

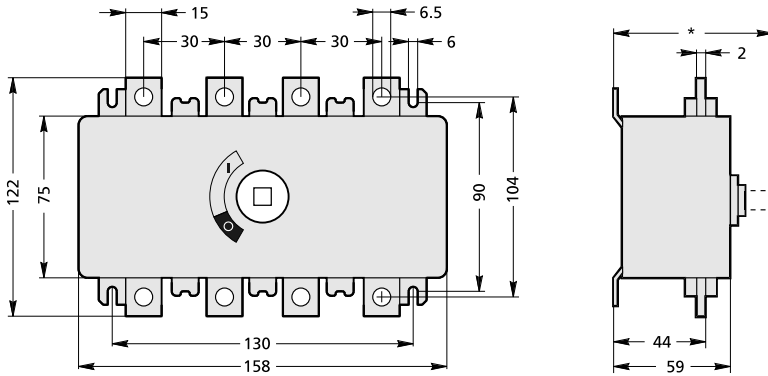
Outline drawings for DMV Dumeco (Dimensions are in mm)

1

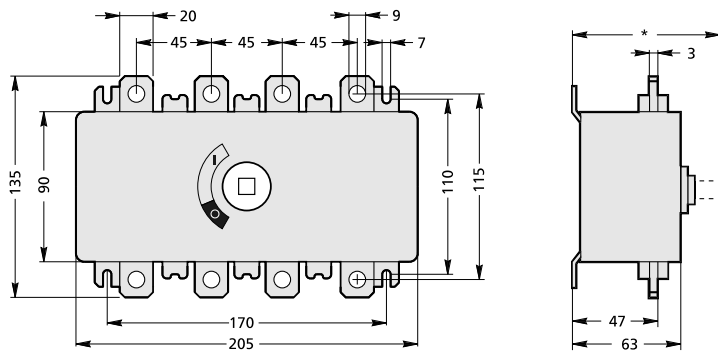
DMV 160N 3-pole and 4-pole connecting contacts with box terminal clamps



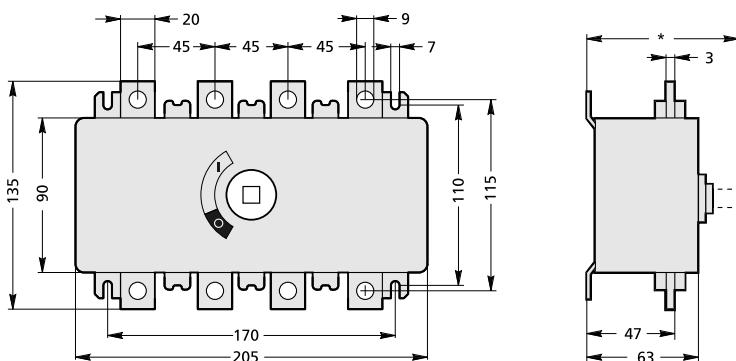
DMV 160N 3-pole and 4-pole



DMVS 160N 3-pole and 4-pole



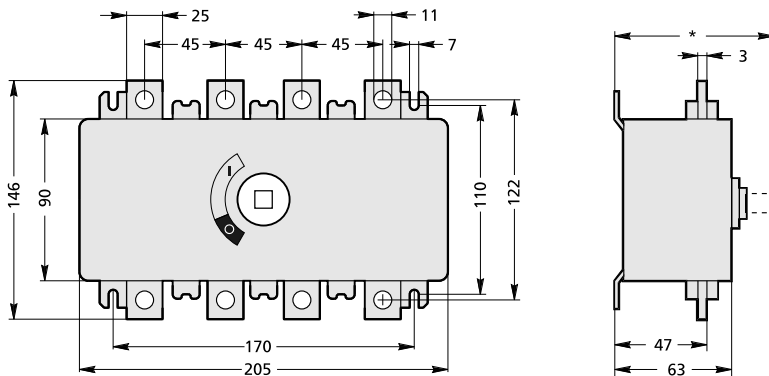
DMV 250N 3-pole and 4-pole



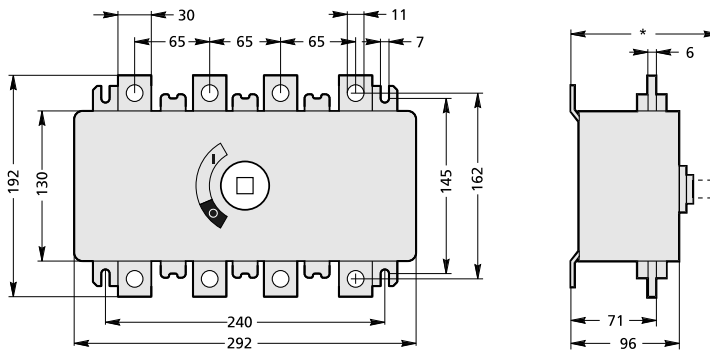
* Depending on the applied operating shaft

Outline drawings for DMV Dumeco (Dimensions are in mm)

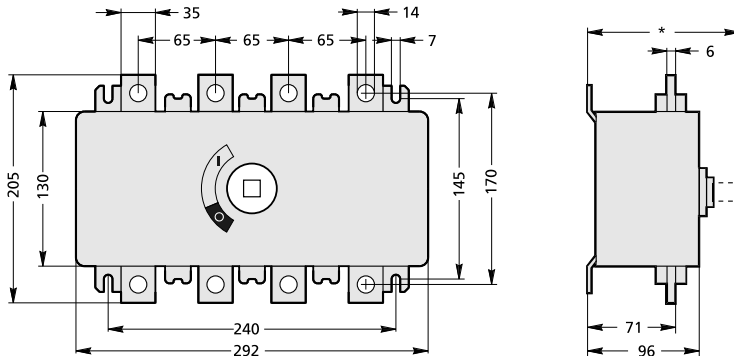
DMV 400N 3-pole and 4-pole



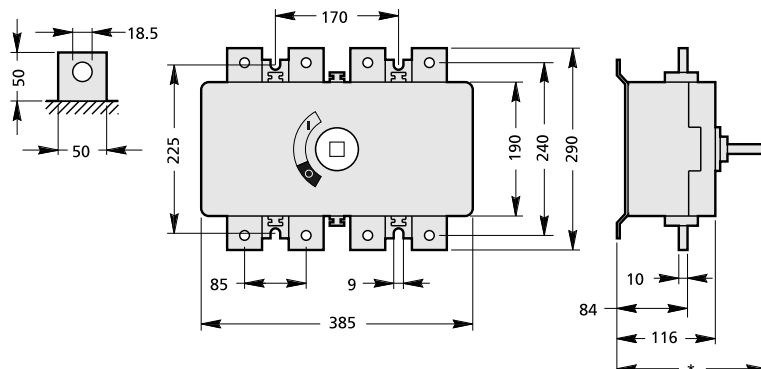
DMV 630N 3-pole and 4-pole



DMV 1000N 3-pole and 4-pole



DMV 1250N 3-pole and 4-pole

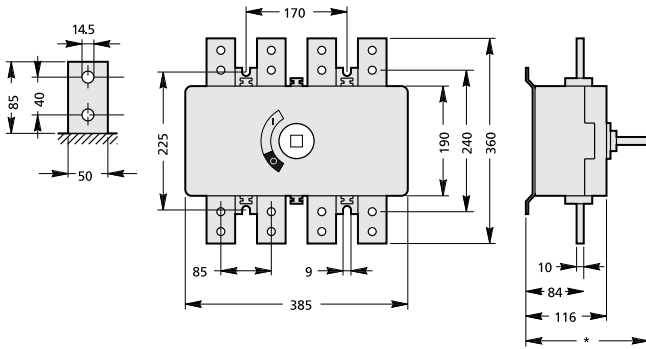


* Depending on the applied operating shaft

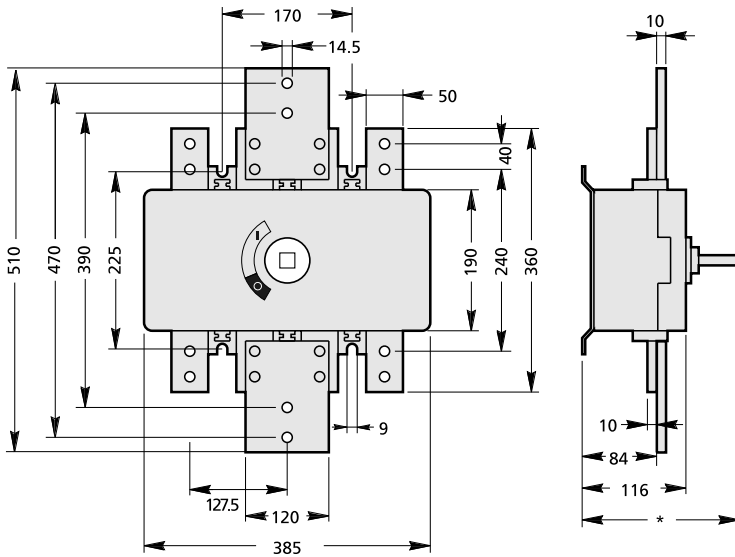
Switch-disconnectors, 160 A to 3150 A, 690 V a.c.

Outline drawings for DMV Dumeco (Dimensions are in mm)

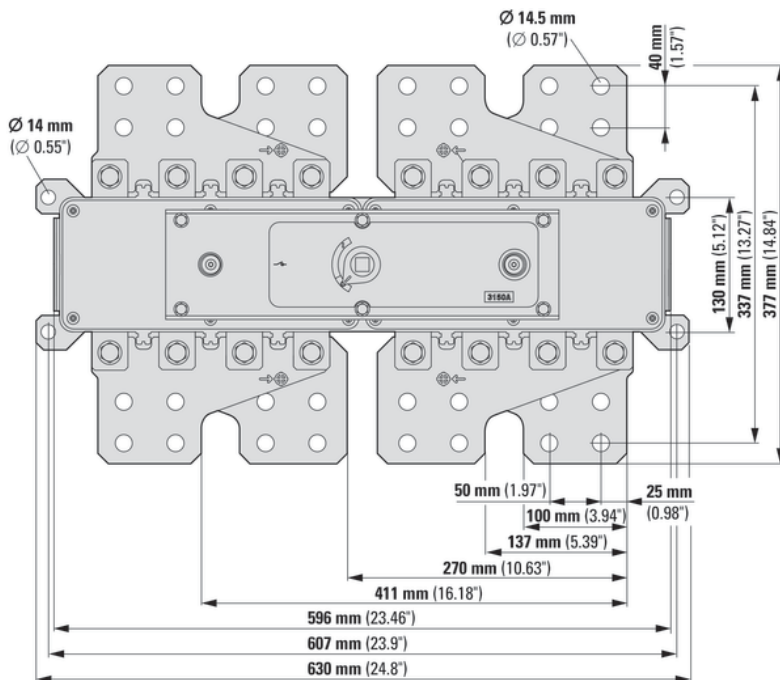
1 DMV 1600N 3-pole and 4-pole

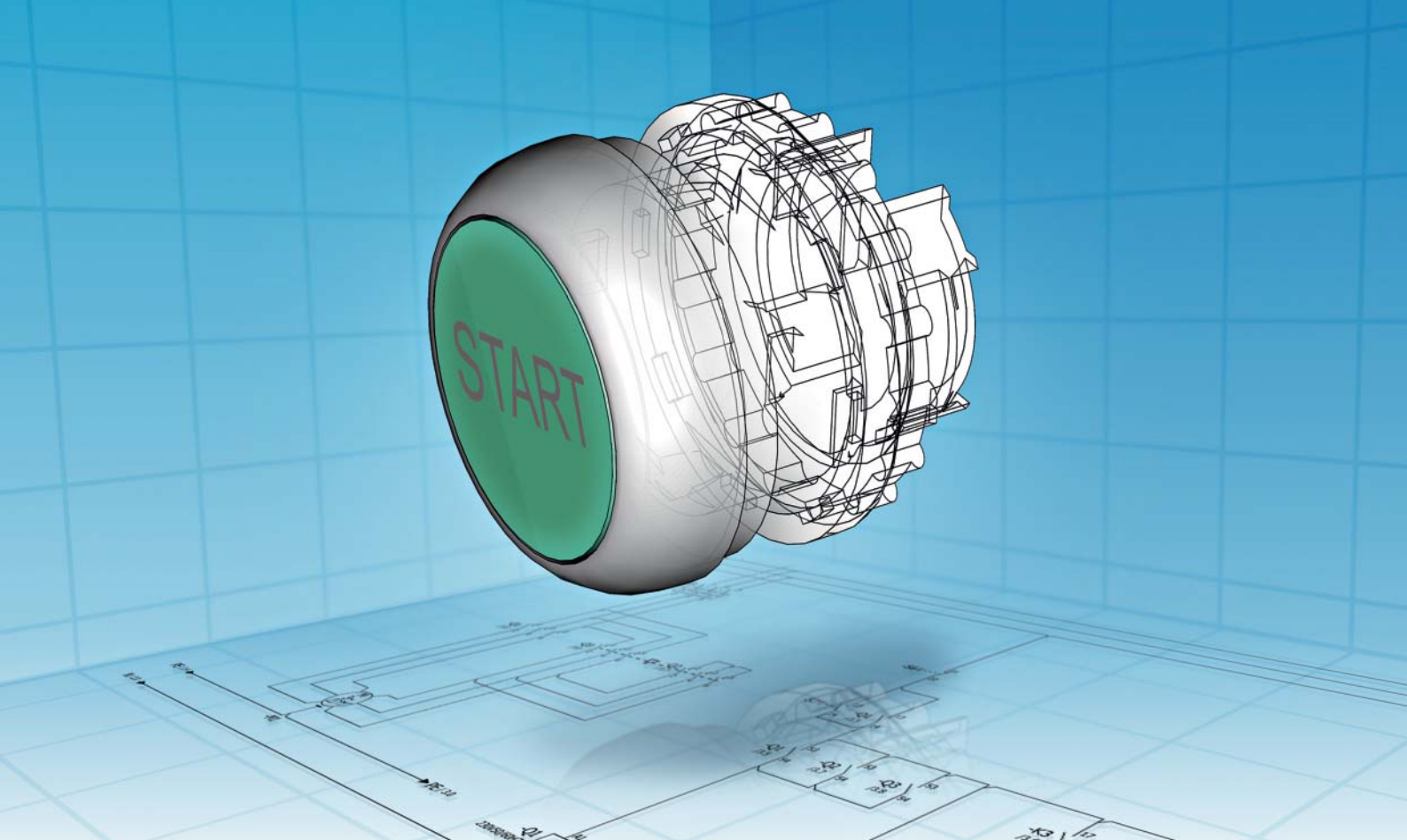


DMV 2000N 3-pole and 4-pole



DMV 2500 A and 3150 A 3-pole and 4-pole





Planning safety and process optimization: CAD data at the click of a mouse!



- 13,200 article data items and macros
- Convenient selection tool
- Version P8

Eaton is providing its customers with CAD data to offer optimum support during planning. Both electrical and mechanical design data can be called up quickly and conveniently from the Internet at any time. This reduces processing times, minimizes errors and thus reduces costs already in the engineering phase of control panels, systems and machinery.



- Models for approx. 11,000 products
- 80 different neutral & native formats

eCAD: Eaton has product data and macros available for EPLAN Electric P8. After downloading the small EPLANSelection program, you will not only be able to select the items you need from a database containing more than 10,800 products, but will also be able to export them and import them into your own EPLAN item database.

mCAD: Eaton makes 2D and 3D data available for more than 11,000 products. Over 80 different neutral and native formats guarantee compatibility with the project engineering systems of the customer. The models can either be integrated directly into the planning software from the Partcommunity Portal on the Internet or via the CADENAS Partsolution software.



www.eaton.eu/cad

DMM Dumeco switch-disconnectors, 40 A to 160 A, 690 V a.c.

2



Description

The DMM Dumeco switch-disconnectors provide safe isolation in a wide range of low voltage applications. Thanks to their excellent making and breaking capacity under load conditions they are particularly suited for use in distribution panels and for machine controls.

Standards/Approvals

- IEC 60947-3
- EAC
- KEMA-KEUR
- Lloyd's Register

Technical data

- Voltage: 690 V ac.
- Current: 40 A to 160 A
- 3-pole + solid neutral and 4-poles
- Direct operation or with door mount knob
- Utilisation category: AC-23A

Mounting options

- DIN-Rail mounting
- 45 mm front for standard distribution board
- IP65 Enclosed for 125 A and 160 A only

Features

- 125 and 160 A DMM switch-disconnectors available as a complete package: with a 400 mm shaft and a red or grey padlockable handle
- 125 and 160 A DMM switch-disconnectors are also available in a CI-K5 enclosure

DMM Dumeco switch-disconnectors, 40 A to 160 A, 690 V a.c.

DMM range overview

	40 A	63 A	80 A	100 A	125 A	160 A
Switch-disconnectors with integrated black rotary handle	✓	✓	✓	✓	✓	✓
Switch-disconnectors without shaft and knob	✓	✓			✓	✓
Switch-disconnectors with operating shaft and knob for cover mounting	✓	✓			✓	
Switch-disconnectors with 400 mm shaft and red/yellow or grey paclockable handle					✓	✓
Switch-disconnectors in CI-K5 enclosure with cylinder lock handle					✓	✓
Switch-disconnectors in CI-K5 enclosure with padlock					✓	✓

2

DMM with integrated black rotary handle



1314161



6093346

Thermal current I_{the}	Number of poles	Part number	Article number	Pack qty
40 A	3P + solid neutral	DMM-40/1	1314056	1
40 A	4P	DMM-40/4	1314057	1
63 A	3P + solid neutral	DMM-63/1	1314161	1
63 A	4P	DMM-63/4	1314162	1
80 A	3P + solid neutral	DMM-80/1	199969	1
80 A	3P	DMM-80/3	199531	1
80 A	4P	DMM-80/4	199533	1
100 A	3P + solid neutral	DMM-100/1	199970	1
100 A	3P	DMM-100/3	199532	1
100 A	4P	DMM-100/4	199534	1
125 A	3P	DMM-125/3	6093344	1
125 A	3P + solid neutral	DMM-125/1	1314210	1
125 A	4P	DMM-125/4	1314211	1
160 A	3P	DMM-160/3	6093347	1
160 A	3P + solid neutral	DMM-160/1	6093345	1
160 A	4P	DMM-160/4	6093346	1

DMM without shaft and knob



1314158



6085418

Thermal current I_{the}	Number of poles	Part number	Article number	Pack qty
40 A	3P + solid neutral	DMM-40/1-SK	1314052	1
40 A	4P	DMM-40/4-SK	1314053	1
63 A	3P + solid neutral	DMM-63/1-SK	1314157	1
63 A	4P	DMM-63/4-SK	1314158	1
125 A	3P	DMM-125/3-SK	6083336	1
125 A	3P + solid neutral	DMM-125/1-SK	1314203	1
125 A	4P	DMM-125/4-SK	1314204	1
160 A	3P	DMM-160/3-SK	6085416	1
160 A	3P + solid neutral	DMM-160/1-SK	6085417	1
160 A	4P	DMM-160/4-SK	6085418	1

Switch-disconnectors, 40 A to 160 A, AC-23 A

DMM Dumeco switch-disconnectors, 40 A to 160 A, 690 V a.c.

DMM with operating shaft and knob, without interlock function, for example when mounted on the cover of Eaton's Halyester enclosure range

2



1314207

Thermal current I_{the}	Number of poles	Height*	Part number	Article number	Pack qty
40 A	3P + solid neutral	172 mm	DMM-40/1+SK	1314054	1
40 A	4P	172 mm	DMM-40/4+SK	1314055	1
63 A	3P + solid neutral	172 mm	DMM-63/1+SK	1314159	1
63 A	4P	172 mm	DMM-63/4+SK	1314160	1
125 A	3P + solid neutral	172 mm	DMM-125/1+CM	1314206	1
125 A	4P	172 mm	DMM-125/4+CM	1314207	1

* Height from back of switch up to the handle

DMM with padlockable rotary handle, with door interlock function and 400 mm metal shaft



6096807

Thermal current I_{the}	Handle colour	Number of poles	Part number	Article number	Pack qty
125 A	Red/Yellow	3P	DMM-125/3/M4/P-R	6094964	1
125 A	Red/Yellow	4P	DMM-125/4/M4/P-R	6094968	1
125 A	Grey	3P	DMM-125/3/M4/P-G	6096804	1
125 A	Grey	4P	DMM-125/4/M4/P-G	6096805	1
160 A	Red/Yellow	3P	DMM-160/3/M4/P-R	6094965	1
160 A	Red/Yellow	4P	DMM-160/4/M4/P-R	6094969	1
160 A	Grey	3P	DMM-160/3/M4/P-G	6096806	1
160 A	Grey	4P	DMM-160/4/M4/P-G	6096807	1

DMM Enclosed 125 A and 160 A, IP65, padlockable



172849



172848

Thermal current I_{the}	Handle colour	Number of poles	Part number	Article number	Pack qty
125 A	Blue	3P	DMM-125/3/I5/P-B	172849	1
125 A	Grey	3P	DMM-125/3/I5/P-G	172850	1
125 A	Red/Yellow	3P	DMM125/3/I5/P-R	172851	1
125 A	Blue	3P + Solid neutral	DMM-125/3N/I5/P-B	172846	1
125 A	Grey	3P + Solid neutral	DMM-125/3N/I5/P-G	172847	1
125 A	Red/Yellow	3P + Solid neutral	DMM125/3N/I5/P-R	172848	1
125 A	Blue	4P	DMM-125/4/I5/P-B	172852	1
125 A	Grey	4P	DMM-125/4/I5/P-G	172853	1
125 A	Red/Yellow	4P	DMM125/4/I5/P-R	172854	1
160 A	Blue	3P	DMM-160/3/I5/P-B	172792	1
160 A	Grey	3P	DMM-160/3/I5/P-G	172793	1
160 A	Red/Yellow	3P	DMM160/3/I5/P-R	172794	1
160 A	Blue	3P + Solid neutral	DMM-160/3N/I5/P-B	172789	1
160 A	Grey	3P + Solid neutral	DMM-160/3N/I5/P-G	172790	1
160 A	Red/Yellow	3P + Solid neutral	DMM160/3N/I5/P-R	172791	1
160 A	Blue	4P	DMM-160/4/I5/P-B	172795	1
160 A	Grey	4P	DMM-160/4/I5/P-G	172796	1
160 A	Red/Yellow	4P	DMM160/4/I5/P-R	172797	1

DMM Dumeco switch-disconnectors, 40 A to 160 A, 690 V a.c.

DMM Enclosed 125 A and 160 A, IP65, with cylinder lock handle



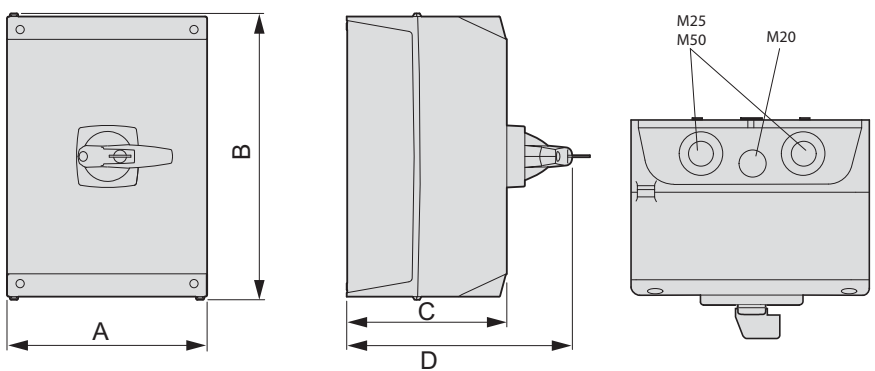
172858



172805

Thermal current I _{the}	Handle colour	Number of poles	Part number	Article number	Pack qty
125 A	Blue	3P	DMM-125/3/15/C-B	172858	1
125 A	Grey	3P	DMM-125/3/15/C-G	172859	1
125 A	Red/Yellow	3P	DMM-125/3/15/C-R	172860	1
125 A	Blue	3P + Solid neutral	DMM-125/3N/15/C-B	172855	1
125 A	Grey	3P + Solid neutral	DMM-125/3N/15/C-G	172856	1
125 A	Red/Yellow	3P + Solid neutral	DMM-125/3N/15/C-R	172857	1
125 A	Blue	4P	DMM-125/4/15/C-B	172861	1
125 A	Grey	4P	DMM-125/4/15/C-G	172862	1
125 A	Red/Yellow	4P	DMM125/4/15/C-R	172863	1
160 A	Blue	3P	DMM-160/3/15/C-B	172801	1
160 A	Grey	3P	DMM-160/3/15/C-G	172802	1
160 A	Red/Yellow	3P	DMM-160/3/15/C-R	172803	1
160 A	Blue	3P + Solid neutral	DMM-160/3N/15/C-B	172798	1
160 A	Grey	3P + Solid neutral	DMM-160/3N/15/C-G	172799	1
160 A	Red/Yellow	3P + Solid neutral	DMM-160/3N/15/C-R	172800	1
160 A	Blue	4P	DMM-160/4/15/C-B	172804	1
160 A	Grey	4P	DMM-160/4/15/C-G	172805	1
160 A	Red/Yellow	4P	DMM-160/4/15/C-R	172806	1

Enclosure dimensions - mm



	mm	inches
A	200	7.87
B	280	11.02
C	160	6.3
D	226	8.9

Switch-disconnectors, 40 A to 160 A, AC-23 A

Handles and shafts for DMM Dumeco (Handles and shaft are to be ordered separately)

Handles mounting types overview

2

Duco	K Type handles	A Type handles			C Type handles		D/P Type handles			D/C Type handles		
		Blue	Red	Grey	Blue	Red	Blue	Red/ Yellow	Grey	Blue	Red/ Yellow	Grey
40 A	K1	✓	✓	✓	✓	✓	✓	✓	✓			
63 A	K1	✓	✓	✓	✓	✓	✓	✓	✓			
125 A	K2S	✓	✓	✓	✓	✓	✓	✓	✓	✓	✓	✓
160 A	K2S	✓	✓	✓	✓	✓	✓	✓	✓	✓	✓	✓

A Type: Handle mounted directly on switch

C Type: Handle without interlock function, for example when mounted on the cover of Eaton's Halyester enclosure range

D/P Type: Handle padlockable for mounting on hinged door, with interlock function

D/C Type: Handle with cylinder lock for mounting on hinged door, supplied with two keys, with interlock function

See handles dimensions pages 96 to 99

A Type handles

Mounted directly on switch



K1 A handle
1818001



K2S A handle
1818004



Shafts

	A Type handles			Shaft mm □	Metal shafts						Pack qty
	Handle colours				Length of shaft						
	Blue	Red	Grey		116 mm	132 mm	148 mm	172 mm	270 mm	400 mm	
DMM 40	K1AB 1818001	K1AR 1818002	K1AG 1818200	6 x 6	4K6116MMDCM/ DMM	4K6132MMDMM	4K6148MMDMM	4K6172MMDCM/ DMM	4K6270MMDMM	4K6400MMDCM/ DMM	1
DMM 63											
DMM 125	K2SAB 1818003	K2SAR 1818004		6 x 6	1314335*	1314341*	1314342*	1314334*	1314374*	1314370	
DMM 160											

C Type handles

Without interlock function, for example when mounted on the cover of Eaton's Halyester enclosure range



K1 C handle
1818015



K2S handle
1818018



Shafts

	C Type handles			Shaft mm □	Metal shafts						Pack qty
	Handle colours				Total height of switch + shaft						
	Blue	Red	Grey		116 mm	132 mm	148 mm	172 mm	270 mm	400 mm	
DMM 40	K1CB 1818015	K1CR 1818016		6 x 6	4K6116MMDCM/DMM	4K6132MMDMM	4K6148MMDMM	4K6172MMDCM/ DMM	4K6270MMDMM	4K6400MMDCM/ DMM	1
DMM 63											
DMM 125	K2SCB 1818017	K2SCR 1818018		6 x 6	1314335*	1314341*	1314342*	1314334*	1314374*	1314370	
DMM 160											

* Height of switch from bottom of switch to top of operating shaft

Handles and shafts for DMM Dumeco (Handles and shaft are to be ordered separately)

D/P Type handles

Padlockable for mounting on hinged door, with interlock function

2



K1 D/P handle
1818029



K2S D/P handle
1818034



Shafts

	D/P Type handles			Shaft mm □	Metal shafts						Pack qty
	Handle colours				Length of shaft						
	Blue	Red	Grey		116 mm	132 mm	148 mm	172 mm	270 mm	400 mm	
DMM 40 DMM 63	K1DB/P 1818029	K1DR/P 1818030	K1DG/P 1818031	6 x 6	4K6116MMDCM/ DMM	4K6132MMDMM	4K6148MMDMM	4K6172MMDCM/ DMM	4K6270MMDMM	4K6400MMDCM/ DMM	1
DMM 125 DMM 160	K2SDB/P 1818032	K2SDR/P 1818033	K2SDG/P 1818034	6 x 6	1314335*	1314341*	1314342*	1314334*	1314374*	1314370	

D/C Type handles

With cylinder lock for mounting on hinged door, supplied with two keys, with interlock function



K2SDB/C
1818038



K2SDR/C
1818039



K2SDG/C
1818040



Shafts

	D/C Type handles			Shaft mm □	Metal shafts						Pack qty
	Handle colours				Length of shaft						
	Blue	Red	Grey		116 mm	132 mm	148 mm	172 mm	270 mm	400 mm	
DMM 125 DMM 160	K2SDB/C 1818038	K2SDR/C 1818039	K2SDG/C 1818040	6 x 6	4K6116MMDCM/ DMM	4K6132MMDMM	4K6148MMDMM	4K6172MMDCM/ DMM	4K6270MMDMM	4K6400MMDCM/ DMM	1
					1314335*	1314341*	1314342*	1314334*	1314374*	1314370	

* Height of switch from bottom of switch to top of operating shaft

Switch-disconnectors, 40 A to 160 A, AC-23 A

Accessories for DMM Dumeco

Auxiliary switch sets suitable for DMM 40 to 160 A

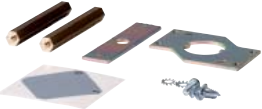
2 Not suitable for DMM with integrated black rotary handle



1314301

Part number	Article number	Rated current	Rated voltage	Contact	Pack qty
AUX1NO+1NCDCM/DMM	1314300	16 A	380 V a.c.	1 NO + 1 NC	1
AUX2NO+2NCDCM/DMM	1314301	16 A	380 V a.c.	2 NO + 2 NC	1

Shaft supporting set for DMM 40 to 160 A



1314369

Part number	Article number	Pack qty
SHAFTSETDCM/DMM	1314369	1

Connection set for DMM 80 A, 100 A, 125 A and 160 A



1314232

Part number	Article number	Connecting capacity	Pack qty
SETDMM125*	1314232*	2 x 2.5 mm ² up to 50 mm ²	1

*Cannot be used with part number 1314330

Transparent terminal cover



1314331

DMM	Part number	Article number	Pack qty
DMM 40	COVERDCM/DMM40/63	1314331	1
DMM 63			
DMM 80			
DMM 100	COVERDCM/DMM125*	1314330*	1
DMM 125			
DMM 160			

*Cannot be used with part number 1314332

Technical data for DMM Dumeco

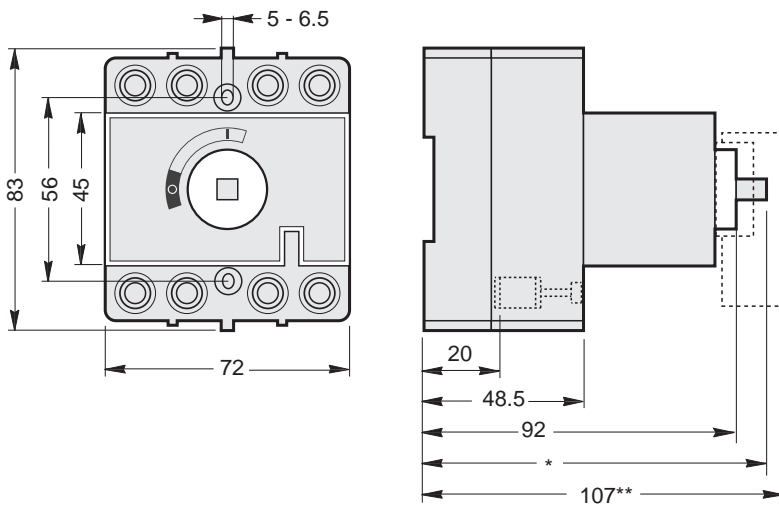
			DMM 40	DMM 63	DMM 80	DMM 100	DMM 125	DMM 160
Conventional free air thermal current	I_{th}		40 A	63 A	80 A	100 A	125 A	160 A
Conventional enclosed thermal current	I_{the}	35°C	40 A	63 A	80 A	100 A	125 A	160 A
		50°C	40 A	63 A	80 A	100 A	125 A	160 A
Rated uninterrupted current	I_u		40 A	63 A	80 A	100 A	125 A	160 A
Rated operational voltage	U_e		690 V	690 V	690 V	690 V	690 V	690 V
Rated insulation voltage	U_i		690 V	690 V	690 V	690 V	690 V	690 V
Rated impulse withstand voltage	U_{imp}		6 kV	6 kV	6 kV	6 kV	6 kV	6 kV
Rated frequency			50/60 Hz	50/60 Hz	50/60 Hz	50/60 Hz	50/60 Hz	50/60 Hz
Storage temperature			-25°C..+80°C	-25°C..+80°C	-25°C..+80°C	-25°C..+80°C	-25°C..+80°C	-25°C..+80°C
Max altitude (without derating)			2000 m	2000 m	2000 m	2000 m	2000 m	2000 m
Rated operational current								
AC-21A								
At $U_e = 415$ V AC-21A	I_e		40 A	63 A	80 A	100 A	125 A	160 A
At $U_e = 500$ V AC-21A	I_e		40 A	63 A	80 A	100 A	125 A	160 A
At $U_e = 690$ V AC-21A			40 A	63 A	80 A	100 A	125 A	160 A
AC-22A								
At $U_e = 415$ V AC-22A	I_e		40 A	63 A	80 A	100 A	125 A	160 A
At $U_e = 500$ V AC-22A			40 A	63 A	80 A	100 A	125 A	160 A
At $U_e = 690$ V AC-22A			40 A	63 A	80 A	100 A	125 A	160 A
AC-23A								
At $U_e = 415$ V AC-23A	I_e		40 A	63 A	80 A	100 A	66 A	140 A
At $U_e = 500$ V AC-23A			25 A	25 A	66 A	66 A	66 A	66 A
At $U_e = 690$ V AC-23A			25 A	25 A	42 A	42 A	42 A	42 A
Rated operational power								
At $U_e = 415$ V AC-23A	P		22 kW	30 kW	45 kW	55 kW	37 kW	30 kW
At $U_e = 500$ V AC-23A	P		15 kW	15 kW	45 kW	45 kW	45 kW	45 kW
At $U_e = 690$ V AC-23A	P		22 kW	22 kW	37 kW	37 kW	37 kW	40 kW
Rated breaking capacity								
At $U_e = 415$ V	I		320 A	504 A	833 A	1029 A	528 A	1120 A
At $U_e = 500$ V	I		200 A	200 A	528 A	528 A	528 A	528 A
At $U_n = 690$ V	I		200 A	200 A	336 A	336 A	336 A	336 A
Rated short-time withstand current	I_{cw}		1.5 kA - 1 s	1.5 kA - 1 s	2.5 kA - 1s	2.5 kA - 1s	2.5 kA - 1 s	2.5 kA - 1 s
Rated short-circuit making capacity	I_{cm}		2.2 kA - 1 s	2.2 kA - 1 s	3.6 kA	3.6 kA	3.6 kA - 1 s	3.6 kA - 1 s
Rated conditional short-circuit current	$I_p (I_q)$	415 V	100 kA	100 kA	30 kA	30 kA	30 kA	30 kA
		690 V	50 kA	50 kA	50 kA	50 kA	50 kA	50 kA
Cut-off current	max.	415 V	7.93 kA	7.93 kA	13.7 kA	13.7 kA	13.7 kA	13.7 kA
		690 V	8.49 kA	8.49 kA	13.5 kA	13.5 kA	13.5 kA	13.5 kA
Joule integral	max.	415 V	10.5 kA ² s	10.5 kA ² s	134 kA ² s	134 kA ² s	134 kA ² s	134 kA ² s
		690 V	25.5 kA ² s	25.5 kA ² s	86.9 kA ² s	86.9 kA ² s	86.9 kA ² s	86.9 kA ² s
Fuse-link gG max	I_n	415 V	P5gG63-000, 63 A		P5gG160-1, 160 A		P5gG160-1, 160 A	
		690 V	80NHG00B-69, 80 A		P6gG125-1, 125 A		P6gG125-1, 125 A	
Power dissipation per pole	P		0.6 W	1.5 W	2.9 W	3.6 W	5.5 W	9.1 W
Durability - maximum cycles (on+off)			10.000	10.000	10.000	10.000	10.000	10.000
Pollution degree			III/3	III/3	III/3	III/3	III/3	III/3
Protection class			IP20	IP20	IP20	IP20	IP20	IP20
Tightening torque			2 Nm	2 Nm	7 Nm	7 Nm	7 Nm	7 Nm
Copper conductor								
Stranded			6 - 70 mm ²	6 - 70 mm ²	6 - 70 mm ²	6 - 70 mm ²	6 - 70 mm ²	6 - 70 mm ²
Flexible			6 - 70 mm ²	6 - 70 mm ²	6 - 70 mm ²	6 - 70 mm ²	6 - 70 mm ²	6 - 70 mm ²
Standards			IEC 60947-3, EAC					
Certification			KEMA-KEUR, Lloyd's Register					

Switch-disconnectors, 40 A to 160 A, AC-23 A

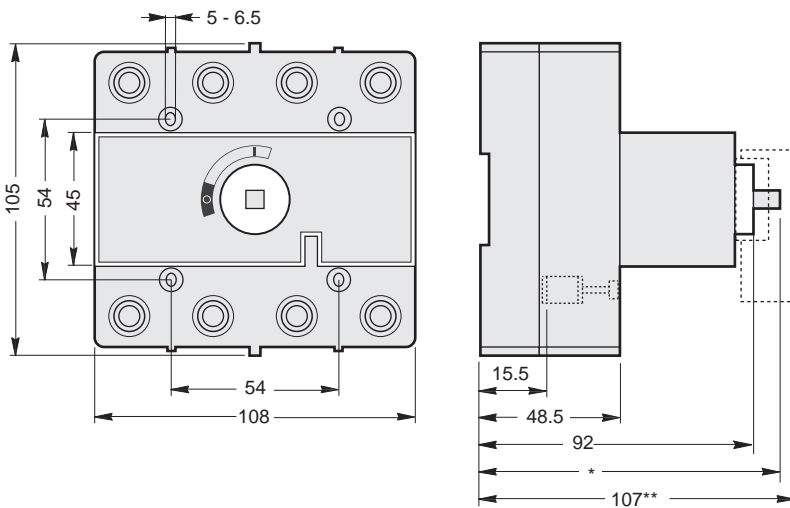
Outline drawings for DMM Dumeco (Dimensions are in mm)

DMM 40 A and DMM 63 A

2



DMM 80A, 100 A, 125 A and DMM 160 A

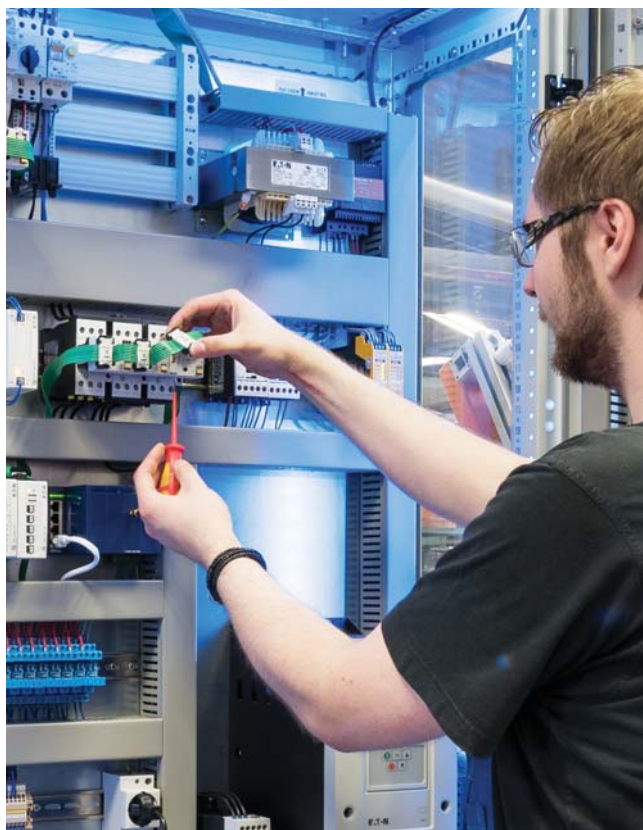


* Dependent on the applied operating shaft

** With integrated black rotary handle

At Eaton, we serve the needs of machine builders and their customers across the globe.

As one of the world's leading power management companies, we provide energy efficient solutions designed to help our customers use electrical, fluid and mechanical power more efficiently, safely, economically and sustainably. Our future-proof solutions will help you meet both current and future challenges, even in a world driven by Industry 4.0. To this end, we are bringing together electrical engineering with hydraulics and IT, respectively. Whether in-house or jointly with our partners, we create integrated industry technologies for the machine-building industry.



Eaton brings you a new dimension of expertise.

With ever shorter product lifecycles, customers now expect you to design and build highly customized machines, or to retrofit existing ones, at a faster pace and at lower cost than ever before. Your customers demand machines that operate reliably, error-free, and with maximum energy efficiency.

By equipping your machines with our best-in-class electrical and hydraulic solutions, you are guaranteed to achieve higher levels of accuracy, speed, energy efficiency, reliability, and flexibility. Eaton is one of the only suppliers globally that to offer integrated solutions for both hydraulic and electrical systems in machinery and equipment.

Integrated Industry Technologies: Innovations that are the product of a great legacy.

As we have grown, our solutions portfolio has also diversified; by integrating the unique capabilities and product families of market leaders such as Aeroquip, Moeller, Vickers, Bussmann, F&G and Heinemann, we are able to deliver innovation across a broad range of sophisticated products and solutions that is continuously being expanded. One of our main priorities is to combine these technologies into one innovative solution. This includes both the Electrical and the Hydraulics sector, as well as IT and machine controls for our Industry 4.0 solutions. In this way, our customers benefit from Eaton's Integrated Industry Technologies and the future-proof solutions that they offer.

DCM Duco switch-disconnectors, 40 A and 63 A, 415 V a.c.

3



Description

The DCM Duco switch-disconnectors provide safe isolation in a wide range of low voltage applications. Thanks to their excellent making and breaking capacity under load conditions they are particularly suited for use in distribution panels and for machine controls.

Standards/Approvals

- IEC 60947-3
- EAC
- KEMA-KEUR,
- Lloyd's Register

Technical data

- Voltage: 415 V ac.
- Current: 40 A and 63 A
- 3-pole + solid neutral and 4-poles
- Semi-independent manual operation mechanism
- AC-21 A and AC-22 A

Mounting options

Suitable for DIN-Rail mounting and 45 mm standard panel cut-out
Direct operation or with door mount knob

Features

- Compact
- Enclosure made of non-tracking synthetic material
- Semi-independent manual operation mechanism
- Various shaft lengths
- Suitable for padlocking in OFF position (1 padlock, diameter up to 5 mm)
- Available as basic switch body with a selection of shafts and handles or with integrated black rotary handle
- Available with horizontal cable connection
- Available for front mounting

DCM Duco switch-disconnectors, 40 and 63 A, 415 V a.c.

DCM range overview

	40 A	63 A
Switch-disconnectors with integrated black rotary handle	✓	✓
Switch-disconnectors without shaft and knob	✓	✓
Switch-disconnectors with shaft C Type handles for mounting on Halyester cover only	✓	✓

DCM with integrated black rotary handle



1314106

Thermal current I_{the}	Number of poles	Part number	Article number	Pack qty
40 A	3P + solid neutral	DCM-40/1	1314106	1
40 A	4P	DCM-40/4	1314110	1
63 A	3P + solid neutral	DCM-63/1	1314004	1
63 A	4P	DCM-63/4	1314006	1

DCM without shaft and handle



1314109 Vertical cable connection



1314104 Horizontal cable connection



1314113 Front mounting

Thermal current I_{the}	Number of poles	Part number	Article number	Pack qty
Vertical cable connection				
40 A	3P + solid neutral	DCM-40/1-SK+VC	1314105	1
40 A	4P	DCM-40/4-SK+VC	1314109	1
63 A	3P + solid neutral	DCM-63/1-SK+VC	1314003	1
63 A	4P	DCM-63/4-SK+VC	1314016	1
Horizontal cable connection				
40 A	3P + solid neutral	DCM-40/1-SK+HC	1314104	1
40 A	4P	DCM-40/4-SK+HC	1314108	1
63 A	3P + solid neutral	DCM-63/1-SK+HC	1314002	1
63 A	4P	DCM-63/4-SK+HC	1314015	1
Front mounting				
40 A	3P + solid neutral	DCM-40/1-SK+FM	1314112	1
40 A	4P	DCM-40/4-SK+FM	1314113	1
63 A	4P	DCM-63/4-SK+FM	1314009	1

DCM with shaft and cover mounted handle, without interlock function, for example when mounted on Eaton's Halyester enclosure range



1314007

Thermal current I_{the}	Number of poles	Height*	Part number	Article number	Pack qty
40 A	3P + solid neutral	116 mm	DCM-40/1+CM	1314107	1
40 A	4P	116 mm	DCM-40/4+CM	1314111	1
63 A	3 + solid neutral	116 mm	DCM-63/1+CM	1314005	1
63 A	4P	116 mm	DCM-63/4+CM	1314007	1

* Height of switch from bottom of switch to top of operating shaft

Switch-disconnectors, 40 A and 63 A, AC-21 A and AC-22 A

Handles and shafts for DCM Duco (Handles and shaft are to be ordered separately)

Handles mounting types overview

3

Duco	K Type handles	A Type handles			C Type handles		D/P Type handles		
		Blue	Red	Grey	Blue	Red	Blue	Red/Yellow	Grey
40 A	K1	✓	✓	✓	✓	✓	✓	✓	✓
63 A	K1	✓	✓	✓	✓	✓	✓	✓	✓

A Type: Handle mounted directly on switch

C Type: Without interlock function, for example when mounted on the cover of Eaton's Halyester enclosure range

D/P Type: Handle padlockable for mounting on hinged door, with interlock function

See handles dimensions pages 96 to 99

A Type handles

Mounted directly on switch



A Type handles

Metal shafts

Handles colours			Shaft mm□	Length of shafts (length from base of switch to top of shaft)						Pack qty
Blue	Red	Grey		100 mm	116 mm	132 mm	156 mm	254 mm	384 mm	
K1AB 1818001	K1AR 1818002	K1AG 1818200	6 x 6	4K6116MMDCM/ DMM 1314335	4K6132MMDMM 1314341	4K6148MMDMM 1314342	4K6172MMDCM/ DMM 1314334	4K6270MMDMM 1314374	4K6400MMDCM/ DMM 1314370	1

C Type handles

Without interlock function, for example when mounted on the cover of Eaton's Halyester enclosure range



C Type handles

Metal shafts

Handle colours			Shaft mm□	Length of shafts (length from base of switch to top of shaft)						Pack qty
Blue	Red/yellow			100 mm	116 mm	132 mm	156 mm	254 mm	384 mm	
K1CB 1818015	K1CR 1818016		6 x 6	4K6116MMDCM/DMM 1314335	4K6132MMDMM 1314341	4K6148MMDMM 1314342	4K6172MMDCM/DMM 1314334	4K6270MMDMM 1314374	4K6400MMDCM/DMM 1314370	1

D/P Type handles

Padlockable for mounting on hinged door, with interlock function



D/P Type handles

Metal shafts

Handle colours			Shaft mm□	Length of shafts (length from base of switch to top of shaft)						Pack qty
Blue	Red/yellow	Grey		100 mm	116 mm	132 mm	156 mm	254 mm	384 mm	
K1DB/P 1818029	K1DR/P 1818030	K1DG/P 1818031	6 x 6	4K6116MMDCM/ DMM 1314335	4K6132MMDMM 1314341	4K6148MMDMM 1314342	4K6172MMDCM/ DMM 1314334	4K6270MMDMM 1314374	4K6400MMDCM/ DMM 1314370	1

Accessories for DCM Duco

Front mounting kit



1314344

DCM	Part number	Article number	Pack qty
DCM 40 A	FRONTKITDCM/DMM	1314344	1
DCM 63 A			1

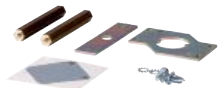
Auxiliary switch set



1314301

Part number	Article number	Current	Voltage	Contact	Pack qty
AUX1NO+1NCDCM/DMM	1314300	16 A	380 V a.c.	1 NO + 1 NC	1
AUX2NO+2NCDCM/DMM	1314301	16 A	380 V a.c.	2 NO + 2 NC	1

Shaft supporting set for use with 384 mm shaft (article number 1314370)



1314369

DCM	Part number	Article number	Pack qty
DCM 40 A	SHAFTSETDCM/DMM	1314369	1
DCM 63 A			1

Transparent terminal cover



1314331

DCM	Part number	Article number	Pack qty
DCM 40 A	COVERDCM/DMM40/63	1314331	1
DCM 63 A			1

Conversion kits for locking the D Type handles in both On and Off position



1818103

QSA	Part number	Article number	Pack qty
DCM 40 A	ADAPTORPADLOCK-K1	1818103	1
DCM 63 A			1

Coupling links for extension of universal shafts



1319833

QSA	Shaft mm□	Part number	Article number	Pack qty
DCM 40 A	6 x 6	COUP6X6MM	1319833	1
DCM 63 A	6 x 6			1

Switch-disconnectors, 40 A and 63 A, AC-21 A and AC-22 A

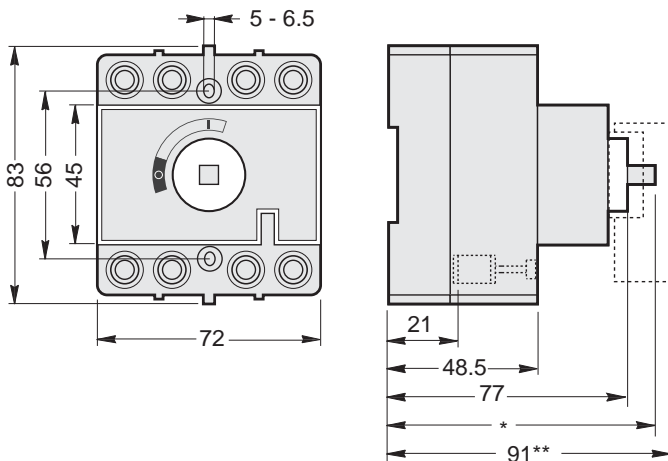
Technical data for DCM Duco

3

		DCM 40	DCM 63
Conventional free air thermal current	I_{th}	40 A	63 A
Conventional enclosed thermal current	I_{the}	40 A	63 A
Rated uninterrupted current	I_u	40 A	63 A
Rated operational voltage	U_e	415 V	415 V
Rated insulation voltage	U_i	690 V	800 V
Rated impulse withstand voltage	U_{imp}	6 kV	6 kV
Rated frequency		50 Hz	50 Hz
Max altitude (without derating)		2000 m	2000 m
Rated operational current			
At $U_e = 415$ V AC-21A	I_e	40 A	63 A
At $U_e = 415$ V AC-22A	I_e	40 A	63 A
At $U_e = 415$ V AC-23A	I_e	40 A	63 A
Rated operational power			
At $U_e = 415$ V AC-23A		16.6 kW	26 kW
Rated short-time withstand current	I_{cw}	1.5 kA	1.5 kA
Rated short-circuit making capacity	I_{cm}	2.2 kA	2.2 kA
Rated conditional short-circuit current	$I_p (I_q)$	415 V: 50 kA	415 V: 50 kA
Cut-off current	max.	690 V: 7 kA	690 V: 7 kA
Joule integral	max.	690 V: 12 kA ² s	690 V: 12 kA ² s
Fuse-link max	I_n	690 V: 50 A	690 V: 800 A
Power dissipation per pole	P	0.6 W	1.5 W
Terminal capacities			
Copper connector:			
Solid		2.5 - 6 mm ²	2.5 - 6 mm ²
Stranded		2.5 - 25 mm ²	2.5 - 25 mm ²
Flexible		1.5 - 25 mm ²	1.5 - 25 mm ²
Tightening torque		2 Nm	2 Nm
Pollution degree		III/3	III/3
Protection class		IP20	IP20
Standards		EN-IEC 60947-3, EAC	
Certification		KEMA-KEUR, Lloyd's Register	

Outline drawing for DCM (Dimensions are in mm)

DCM Duco 40 A and 63 A



Our flip catalog: Get information, select, order – the fast and easy way!



This product overview is designed as a quick selection aid for our core range of machine building products. And to make it even more powerful, we have an online version with comprehensive extra features available: our digital flip catalog. The result? Getting information and placing orders is easier and faster than ever before.

How does our digital flip catalog work? Easy: Its contents are linked to the Eaton online catalog and to the relevant product pages on the Internet, meaning that clicking on a part number or article number will take you directly to all the pertinent product information. In other words, the flip catalog is the perfect way to obtain comprehensive, up-to-date information, perfectly complementing our hard copy catalog.

DMV Change-over mechanisms, 160 A to 2000 A, 690 V a.c. for DMV switch-disconnectors

4



Description

The Dumeco DMV change-over mechanisms convert DMV switch-disconnectors into 3 to 4-pole change-over switches.

Standards/Approvals

- IEC 60947-3
- EAC
- KEMA-KEUR
- Lloyd's Register
- CCC up to 1250 A

Technical data

- Voltage: 690 V ac.
- Current: 160 A to 2000 A

Features

- Compact
- Made of non-tracking material
- Independent manual operation
- Easy installation of 3-pole + solid neutral or 4-pole

DMV Change-over mechanisms, 160 A to 2000 A, 690 V a.c. for DMV switch-disconnectors

Parts required for the change-over mechanisms

- 2 switch-disconnectors
- 1 Change-over mechanism
- 1 through-connector set (4-pole)
- 1 operating shaft (6 mm, 10 mm or 14 mm shaft)
- 1 change-over handle. **Note: Use 2 standard handles for 1250 A, 1600 A and 2000 A DMV switch-disconnectors**



Change-over mechanisms for Dumeco DMV switch-disconnectors



1314314



1314884

Suitable for DMV	Part number	Article number	Pack qty
DMV 160N	CODMV160N*	1314314*	1
DMVS 160N, DMV 250N and DMV 400N	CODMVS160N/400N	1314884	1
DMV 630N and DMV 1000N	CODMV630N/1000N	1314682	1
DMV 1250N, DMV 1600N and DMV 2000N	CODMV1250/1600/2000A3P**	1314336**	1

*1314314: Operating shaft included (shaft length = 70 mm from top of change-over mechanism)

**1314336: When door mounted padlockable handle (D/P Type) is required 2 additional standard shafts (Article number 1050250) and 2 additional handles (Article number 1818076) are necessary

Bridge connector set



1314320



1314881

Suitable for DMV	Part number	Article number	Pack qty
DMV 160N	SETDMV160N	1314320	1 (4 pieces)
DMVS 160N, DMV 250N	SETDMVS160N/250N	1314878	1 (4 pieces)
DMV 400N	SETDMV400N	1314879	1 (4 pieces)
DMV 630N	SETDMV630N	1314881	1 (4 pieces)
DMV 1000N	SETDMV1000N	1314883	1 (4 pieces)

Change-over mechanisms, 160 A to 2000 A, 690 V a.c.

Handles and shafts for change-over mechanisms (Handles and shaft are to be ordered separately)

Handles mounting types overview

4

DMV	K Type handles	Shaft square mm □	A Type handles			D/P Type handles*
			Blue	Red	Grey	Blue
DMV 160N	K2S	6 x 6	✓	✓		✓*
DMVS 160N	K3	6 x 6	✓	✓	✓	✓*
DMV 250N	K3	10 x 10	✓	✓	✓	✓*
DMV 400N	K3	10 x 10	✓	✓	✓	✓*
DMV 630N	K5	14 x 14	✓	✓	✓	✓*
DMV 1000N	K5	14 x 14	✓	✓	✓	✓*
DMV 1250N	K6 (2x)	14 x 14	✓	✓	✓	
	K5	14 x 14				✓*
DMV 1600N	K6 (2x)	14 x 14	✓	✓	✓	
	K5	14 x 14				✓*
DMV 2000N	K6 (2x)	14 x 14	✓	✓	✓	
	K5	14 x 14				✓*

A Type: Handle mounted directly on switch

***D/P Type:** Handle padlockable for mounting on hinged door with interlock function. These handles are pre-printed with 1, 0, 2 position

See handles dimensions pages 96 to 99

A Type handles

Mounted directly on switch



K2S A handle
1818003

K3 A handle
1818111

K5 A handle
1818011

K6 A handle
1818014

Shafts

Change-over mechanism	Suitable for DMV	A Type handles			Metal shafts				Pack qty	
		Handle colours			Shaft mm□	Length of shafts				
		Blue	Red	Grey		185 mm	200 mm	230 mm		400 mm
CODMV160N 1314314	DMV 160N	K2SAB 1818003	K2SAR 1818004			Shaft already included with the mechanism				1
CODMVS160N/400N 1314884	DMVS 160N				10 x 10	4K10H185COK3 1050251			4K10H400COK3 1050252	1
	DMV 250N	K3AB 1818110	K3AR 1818111	K3AG 1818202						
	DMV 400N									
CODMV630N/1000N 1314682	DMV 630N	K5AB 1818011	K5AR 1818012		14 x 14			4K14H230COK5 1050253	4K14H400COK5 1050254	1
	DMV 1000N									
CODMV1250/1600/2000A3P 1314336	DMV 1250N				14 x 14					1
	DMV 1600N	K6AB 1818013	K6AR 1818014				4K14K6H200 1050248		4K14K6H400 1050250	
	DMV 2000N									

Handles and shafts for change-over mechanisms (Handles and shaft are to be ordered separately)

D/P Type handles

Padlockable for mounting on hinged door, with interlock function



K02SDB/P handle
1818072



K03D/P handle
1818116



K05DB/P handle
1818076



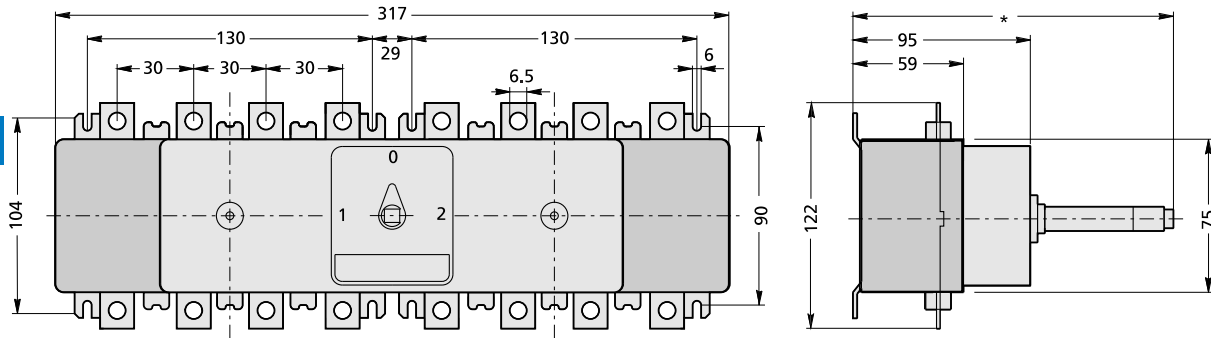
Shafts

Change-over mechanism	Suitable for DMV	D/P Type handles		Metal shafts				Pack qty
		Handle colours	Shaft mm□	Length of shafts				
		Blue		185 mm	200 mm	230 mm	400 mm	
CODMV160N 1314314	DMV 160N	K02SDB/P 1818072		Shaft already included with the mechanism				1
CODMVS160N/400N 1314884	DMVS 160N	K03DB/P 1818116	10 x 10	4K10H185COK3 1050251			4K10H400COK3 1050252	1
	DMV 250N							
	DMV 400N							
CODMV630N/1000N 1314682	DMV 630N	K05DB/P 1818076	14 x 14			4K14H230COK5 1050253	4K14H400COK5 1050254	1
	DMV 1000N							
CODMV1250/1600/2000A3P 1314336	DMV 1250N	K05DB/P 1818076	14 x 14			4K14K6H200 1050248	4K14K6H400 1050250	1
	DMV 1600N							
	DMV 2000N							

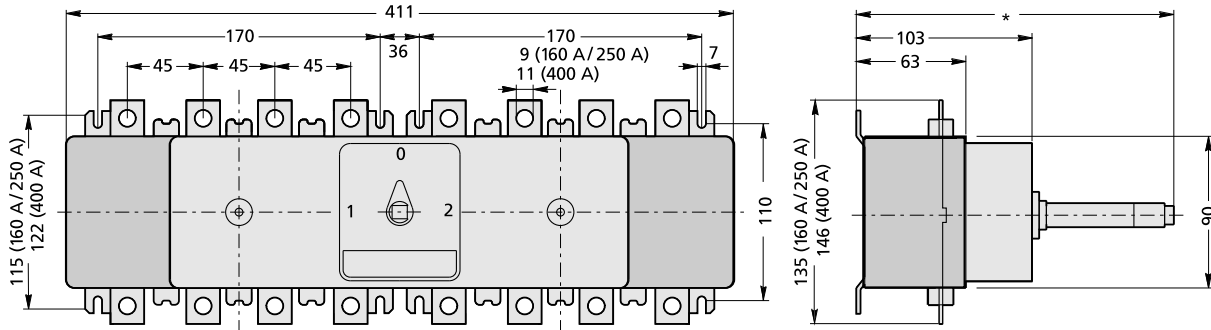
Change-over mechanisms, 160 A to 2000 A, 690 V a.c.

Outline drawings for change-over mechanisms (Dimensions are in mm)

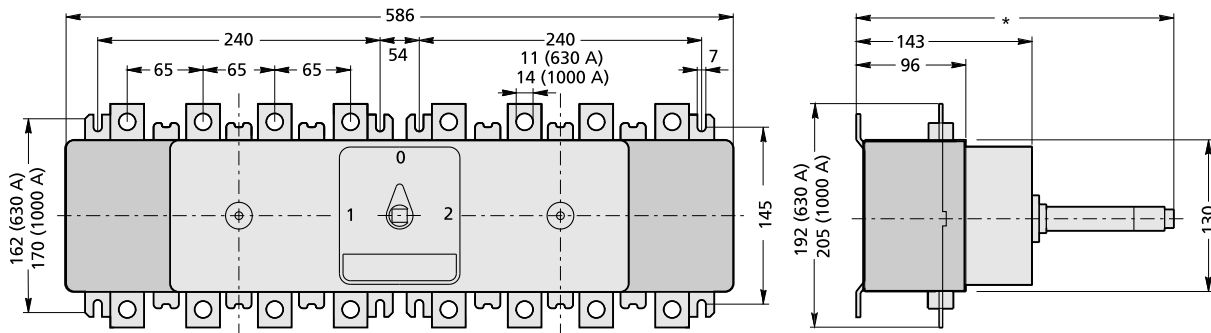
Change-over mechanisms suitable for DMV 160N - horizontal



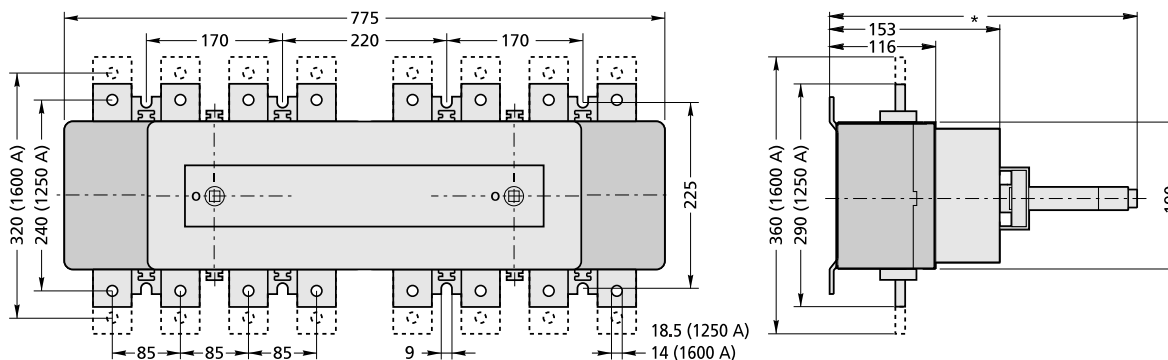
Change-over mechanisms suitable for DMVS 160N, DMV 250N and DMV 400N - horizontal



Change-over mechanisms suitable for DMV 630N and DMV 1000N - horizontal

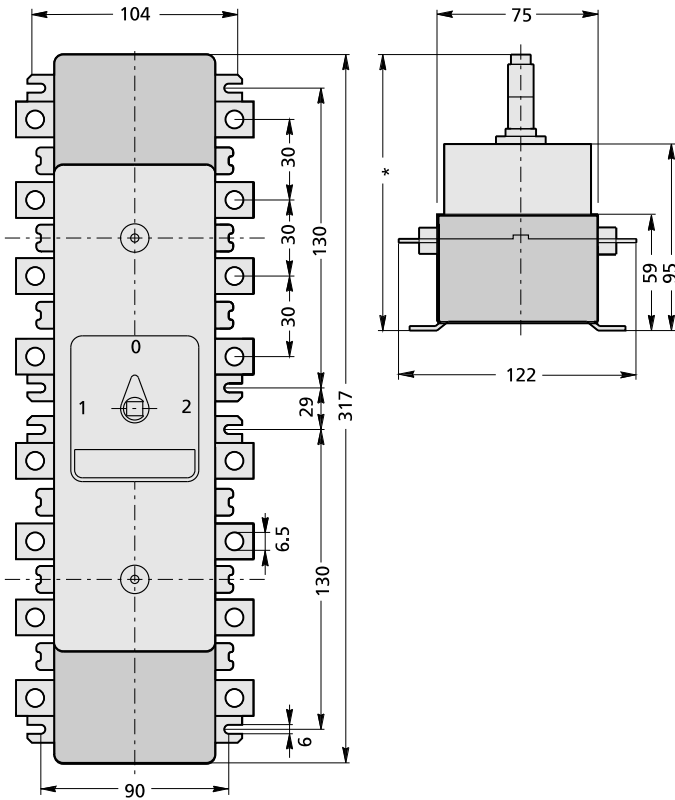


Change-over mechanisms suitable for DMV 1250N and DMV 1600N - horizontal

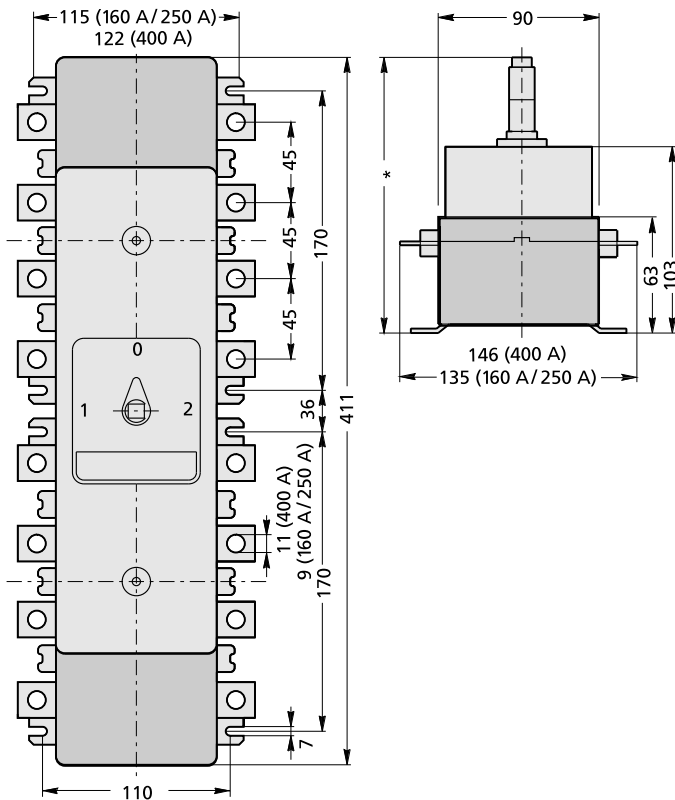


Outline drawings for change-over mechanisms (Dimensions are in mm)

Change-over mechanisms suitable for DMV 160N - vertical



Change-over mechanisms suitable for DMVS 160N, DMV 250N and DMV 400N - vertical



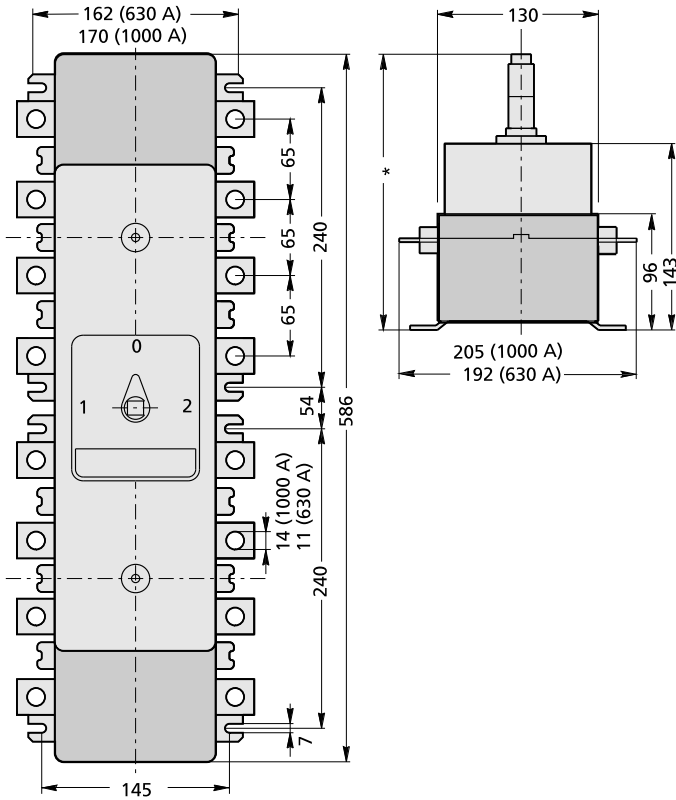
* Dependant on the applied operating shaft

Change-over mechanisms, 160 A to 2000 A, 690 V a.c.

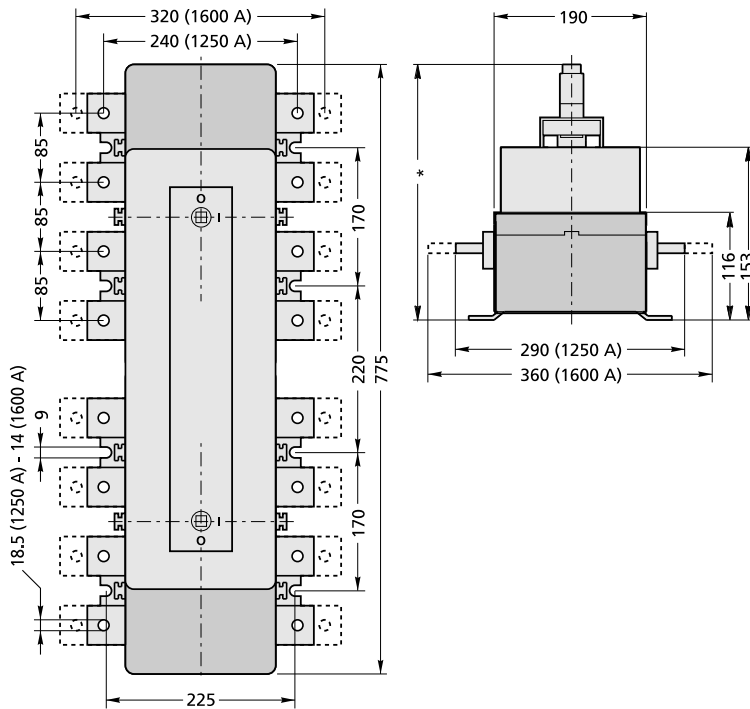
Outline drawings for change-over mechanisms (Dimensions are in mm)

Change-over mechanisms suitable for DMV 630N and DMV 1000N - vertical

4



Change-over mechanisms suitable for DMV 1250N and DMV 1600N - vertical



* Dependant on the applied operating shaft

Optimise space and budget

Eaton are dedicated to offering innovative solutions that are safe, compact, reliable and financially efficient. With budgets across the sector increasingly squeezed, the importance of reducing costs across engineering, wiring, testing and commissioning is paramount to future profitability. Eaton can help you achieve this cost reduction and improve downtime in the process.

Standardize Operations

Our portfolio of standardised solutions can revolutionise your operational efficiency. Designed to meet global standards, manage costs and reduce energy consumption, Eaton can help you build state-of-the-art systems that are both easy to maintain and service.

Improve integrated performance

Offering compatibility with a wide variety of technology our solutions can be integrated into ready built systems to enhance flexibility, improve diagnostic output and increase communication between machines within a network.

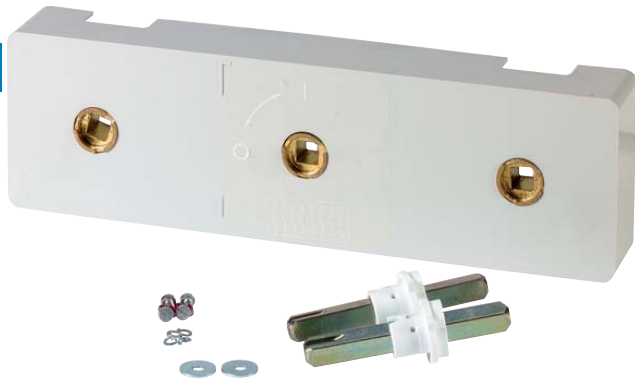
Prioritize Safety

Safety is one of Eaton's greatest priorities throughout the machine building process, we are dedicated to developing safer working environments and reducing operational risks. Our solutions have been efficiently designed to meet all regulatory requirements without duplicating wiring or generating resource waste. The safeguards we implement at every stage of the process ensure risk of overload, damage or fire is minimized.



DMV Multipole mechanisms, 160 A to 1000 A, 690 V a.c. for DMV switch-disconnectors

5



Description

The Dumeco DMV multipole mechanisms convert DMV switch-disconnectors into 6 to 8-pole disconnectors.

Standards/Approvals

- IEC 60947-3
- EAC
- KEMA-KEUR
- Lloyd's Register
- CCC

Technical data

- Voltage: 690 V a.c.
- Current: 160 A to 1000 A

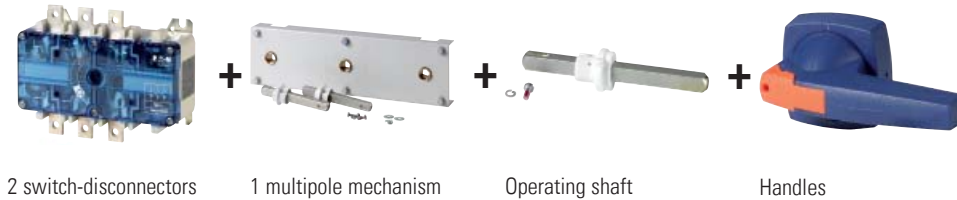
Features

- Compact
- Made of non-tracking materials
- Independent manual operation
- Easy installation of switched or solid neutral for 4-pole version

DMV Multipole mechanisms, 160 A to 1000 A, 690 V a.c. for DMV switch-disconnectors

Required parts for the multipole mechanisms

- 2 switch-disconnectors
- 1 multipole mechanism
- 1 operating shaft (10 mm or 14 mm)
- 1 change-over handle.



Multipole mechanisms for Dumeco DMV switch-disconnectors



Suitable for DMV	Part number	Article number	Pack qty
DMV 160N	MPDMV160N	1314337	1
DMVS 160N, DMV 250N and DMV 400N	MPDMV250N/400N	1314039	1
DMV 630N and DMV 1000N	MPDMV630N/1000N	1314040	1

Handles and shafts for multipole mechanisms (Handles and shaft are to be ordered separately)

Handles mounting types overview

DMV	K Types handle	Shaft mm □	A Type handles			D/P Type handles			D/C Type handles		
			Blue	Red	Grey	Blue	Red/ Yellow	Grey	Blue	Red/ Yellow	Grey
DMV 160N	K3	10 x 10	✓	✓	✓	✓	✓	✓	✓	✓	✓
DMVS 160N	K3	10 x 10	✓	✓	✓	✓	✓	✓	✓	✓	✓
DMV 250N	K3	10 x 10	✓	✓	✓	✓	✓	✓	✓	✓	✓
DMV 400N	K3	10 x 10	✓	✓	✓	✓	✓	✓	✓	✓	✓
DMV 630N	K5	14 x 14	✓	✓	✓	✓	✓	✓	✓	✓	✓
DMV 1000N	K5	14 x 14	✓	✓	✓	✓	✓	✓	✓	✓	✓

A Type: Handle mounted directly on switch

D/P Type: Handle padlockable for mounting on hinged door, with interlock function

D/C Type: Handle with cylinder lock for mounting on hinged door, supplied with two keys, with interlock function

See handles dimensions pages 96 to 99

Multipole mechanisms , 160 A to 1000 A, 690 V a.c.

Handles and shafts for DMV multipole mechanisms (Handles and shaft are to be ordered separately)

A Type handles

Mounted directly on switch suitable for DMV 160N, DMVS 160N, DMV 250N up to DMV 1000N



K3 A handle
1818111



K5 A handle
1818011



Shafts

5

Multipole mechanism	Suitable for DMV	A Type handles			Metal shafts				Pack qty	
		Handle colours			Shaft mm□	Length of shafts				
		Blue	Red	Grey		135 mm	200 mm	245 mm		400 mm
MPDMV160N 1314337	DMV 160N				10 x 10	4K10K3H135 1050240		4K10K3H245 1050242	4K10K3H400 1050243	1
MPDMV250N/400N 1314039	DMVS 160N	K3AB 1818110	K3AR 1818111	K3AG 1818202						
	DMV 250N									
	DMV 400N									
MPDMV630N/1000N 1314040	DMV 630N	K5AB 1818011	K5AR 1818012		14 x 14			4K14K5H200 1050244	4K14K5H400 1050247	1
	DMV 1000N									

D/P Type handles

Padlockable for mounting on hinged door, with interlock function, suitable for DMV 160N, DMVS 160N up to and DMV 1000N



K3 D/P handle
1818096



K5 D/P handle
1818056



Shafts

Multipole mechanism	Suitable for DMV	D/P Type handles			Metal shafts				Pack qty	
		Handle colours			Shaft mm□	Shaft length				
		Blue	Red	Grey		135 mm	200 mm	245 mm		400 mm
MPDMV160N 1314337	DMV 160N				10 x 10	4K10K3H135 1050240		4K10K3H245 1050242	4K10K3H400 1050243	1
MPDMV250N/400N 1314039	DMVS 160N	K3DB/P 1818113	K3DR/P 1818096	K3DG/P 1818069						
	DMV 250N									
	DMV 400N									
MPDMV630N/1000N 1314040	DMV 630N	K5DB/P 1818056	K5DR/P 1818057	K5DG/P 1818058	14 x 14			4K14K5H200 1050244	4K14K5H400 1050247	1
	DMV 1000N									

Handles and shafts for multipole mechanisms (Handles and shaft are to be ordered separately)

D/C Type handles

With cylinder lock for mounting on hinged door, with interlock function, suitable for DMV 160N, DMVS 160N up to DMV 1000N



K3 D/C handle
1818097



K5 D/C handle
1818061



Shafts

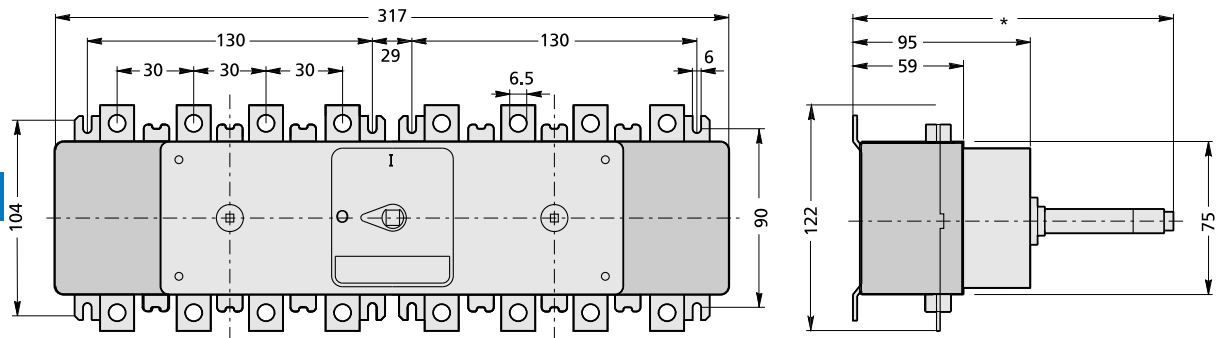
Multipole mechanism	Suitable for DMV	D/C Type handles			Metal shafts				Pack qty	
		Handle colours			Shaft mm□	Length of shafts				
		Blue	Red	Grey		135 mm	200 mm	245 mm		400 mm
MPDMV160N 1314337	DMV 160N									
MPDMV250N/400N 1314039	DMVS 160N	K3DB/C 1818114	K3DR/C 1818097	K3DG/C 1818070	10 x 10	4K10K3H135 1050240		4K10K3H245 1050242	4K10K3H400 1050243	1
	DMV 250N									
	DMV 400N									
MPDMV630N/1000N 1314040	DMV 630N	K5DB/C 1818059	K5DR/C 1818060	K5DG/C 1818061	14 x 14		4K14K5H200 1050244		4K14K5H400 1050247	1
	DMV 1000N									

Multipole mechanisms , 160 A to 1000 A, 690 V a.c.

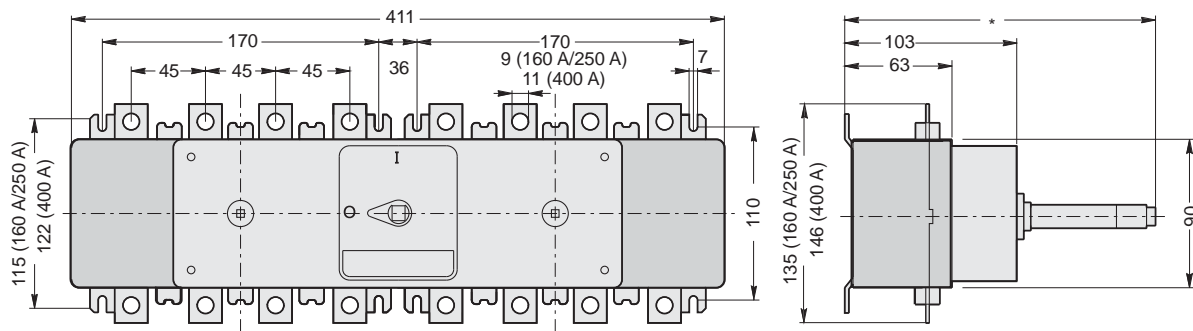
Outline drawings for Multipole mechanisms (Dimensions are in mm)

Multipole mechanisms suitable for DMV 160N - horizontal

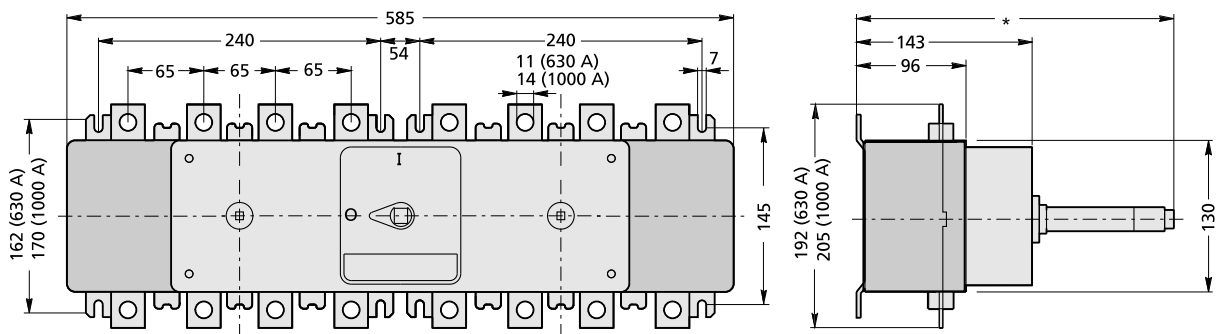
5



Multipole mechanisms suitable for DMVS 160N, DMV 250N and DMV 400N - horizontal



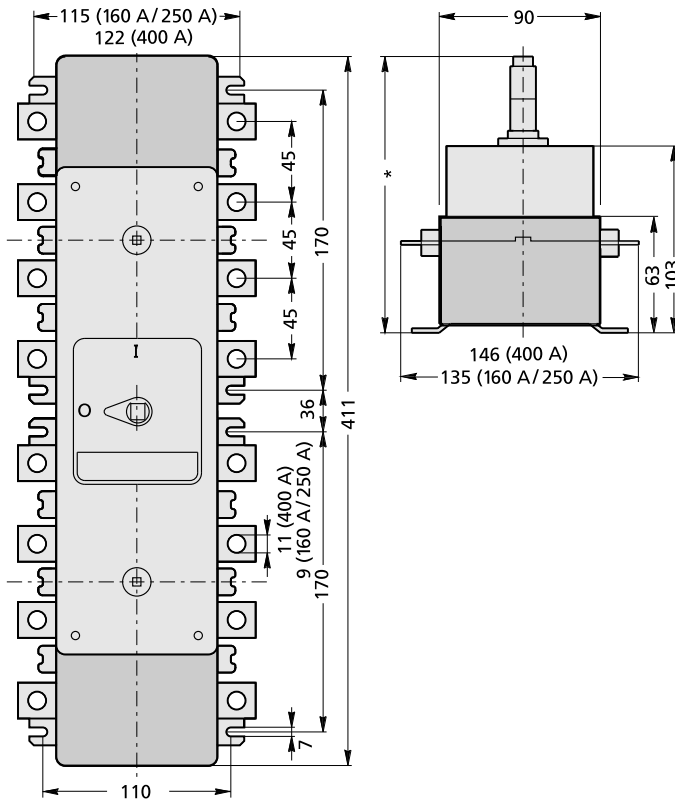
Multipole mechanisms suitable for DMV 630N and DMV 1000N - horizontal



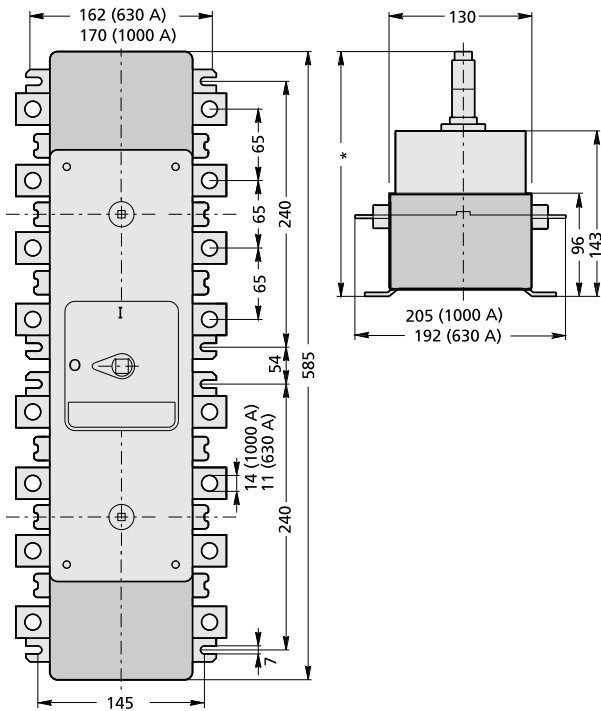
* Dependant on the applied operating shaft

Outline drawings for Multipole mechanisms (Dimensions are in mm)

Multipole mechanisms suitable for DMVS 160N, DMV 250N and DMV 400N - vertical



Multipole mechanisms suitable for DMVS 160N, DMV 250N and DMV 400N - vertical



* Dependant on the applied operating shaft

Change-over and multipole switches, 40 A to 100 A, 690 V a.c.

QM Change-over and multipole switches, 40 A to 100 A, 690 V a.c.

6



Description

The change-over and multipole switches Type QM provide safe isolation in a wide range of low voltage applications where 6 to 8-poles are required, also the perfect solution for 3 to 4-pole change-over applications.

Thanks to their excellent making and breaking capacity under load conditions they are particularly suited for use in distribution panels and for machine controls.

Standards/Approvals

- IEC 60947-3
- EAC

Technical data

- Voltage: 690 V ac.
- Current: 40 A to 100 A
- 6 to 8-pole OFF-ON
- 3 or 4-pole change-over applications
- Direct operation or with door mount knob
- Utilisation category: AC-23A

Mounting options

- DIN-Rail mounting and base plate

Features

- Compact
- Made of non-tracking material
- Independent manual operation for ON and OFF switching
- Easy installation of switched or solid neutral for 4-pole version

QM Change-over and multipole switches, 40 A to 100 A, 690 V a.c.

QM Change-over and multipole switches - range overview

	40 A	50 A	63 A	80 A	100 A
Change-over switches, 3 -pole and 3-pole + switched neutral	✓		✓		✓
Multipole switches, 6-pole and 6-pole + 2 switched neutral		✓		✓	

QM Change-over switches



1319970

Number of poles	Thermal current I_{the}	Suitable shaft	Part number	Article number	Pack qty
2 x 3P + switched neutral	40 A	6 x 6 mm	QM40/3N	1319970	1
2 x 3P	63 A	6 x 6 mm	QM63/3	1319807	1
2 x 3P + switched neutral	63 A	6 x 6 mm	QM63/3N	1319915	1
2 x 3P	100 A	6 x 6 mm	QM100/3	1319815	1
2 x 3P + switched neutral	100 A	6 x 6 mm	QM100/3N	1319916*	1

QM Multipole switches



1319904

Number of poles	Thermal current I_{the}	Suitable shaft	Part number	Article number	Pack qty
6P	50 A	6 x 6 mm	QM63/6	1319806	1
6P + 2 switched neutral	50 A	6 x 6 mm	QM63/6N2	1319904	1
6P	80 A	6 x 6 mm	QM100/6	1319814	1
6P + 2 switched neutral	80 A	6 x 6 mm	QM100/6N2	1319905	1

Parts required for interlock door mounted handle

- 1 QM change-over or multipole switch
- 1 coupling for use with extension shaft
- 1 extension shaft for door mounting the operating knob
- 1 door coupling
- 1 operating knob



1 change-over or multipole switch

+



1 coupling for use with extension shaft

+



1 extension shaft for door mounting the operating knob

+



1 door coupling

+



1 operating knob

Change-over and multipole switches, 40 A to 100 A, 690 V a.c.

Accessories for QM Change-over and multipole switches

Coupling for use with extension shafts



1319833

Shaft mm □	Part number	Article number	Pack qty
6 x 6	COUP6X6MM	1319833	1

6

Extension shaft for door mounting the operating knob



1319830

Shaft mm □	Length	Suitable for knob	Part number	Article number	Pack qty
6 x 6	180mm	K1/K2S	4K6180MMK1/2S	1319830	1
6 x 6	300 mm	K1/K2S	4K6300MMK1/2S	1319831	1
6 x 6	600 mm	K1/K2S	4K6600MMK1/2S	1319832	1

Door coupling



1319857

Description	Part number	Article number	Pack qty
Door coupling base-plate for change-over and multipole switches	QMDOORCOUP	1319857	1

Operating knob



1319855

Description	Part number	Article number	Pack qty
Operating knob black (0-1) for multipole switch	QMHANDLEMP	1319855	1
Operating knob, black (1-0-2) for change-over switch	QMHANDLECO	1319856	1

Connection sets (4-pole) for change-over switch only



1319969

QM	Part number	Article number	Pack qty
QM40 and QM63	QMCOSET40/63	1319969	1
QM 100	QMCOSET100	1319967	1

Solid neutrals



1319858

QM	Number of poles	Part number	Article number	Pack qty
QM40/3 and QM60/3	3P + Solid neutral	QMNEUTRAL40/634P	1319858	1
QM80/3 and QM100/3	3P + Solid neutral	QMNEUTRAL80/1004P	1319859	1

Accessories for QM change-over and multipole switches

Earth terminals



1319868

QM	Part number	Article number	Pack qty
QM40 and QM63	QMEARTH40/63	1319868	1
QM80 and QM100	QMEARTH80/100	1319869	1

Auxiliary switches



1319853

QM	Contact configuration	Part number	Article number	Pack qty
QM40 and QM63	1 NO + 1 NC	QMAUX1NO+1NC40/63	1319851	1
QM80 and QM100	1 NO + 1 NC	QMAUX1NO+1NC80/100	1319853	1

Protective covers set for connection terminals



1319870

QM	Number of poles	Part number	Article number	Pack qty
QM 40/3, QM 63/3	3P	QMCOVER40/633P	1319870	1
QM 80/30, QM 100/3	3P	QMCOVER80/1003P	1319872	1
QM 40/3N, QM 63/3N	3P + Neutral	QMCOVER40/633P+N	1319871	1
QM 80/3, QM 100/3N	3P + Neutral	QMCOVER80/1003P+N	1319873	1

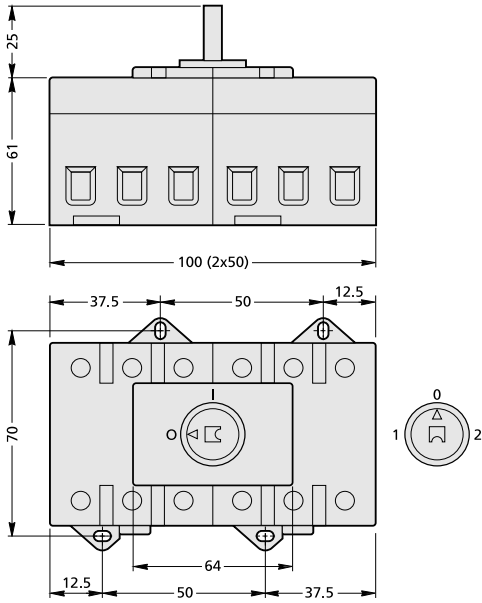
Change-over and multipole switches, 40 A to 100 A, 690 V a.c.

Technical data for QM Change-over and multipole switches

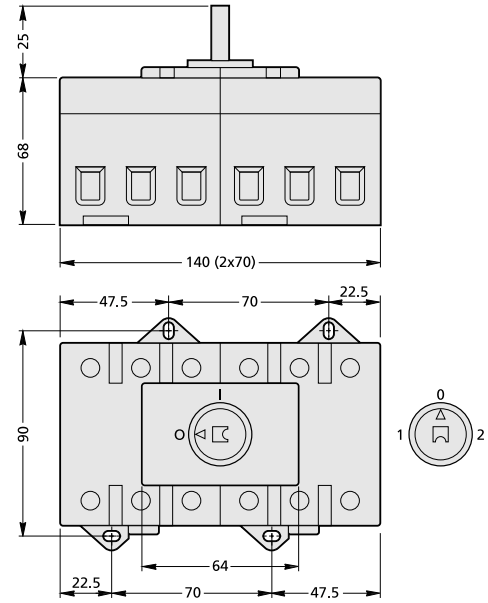
		QM 40	QM 63	QM 100
Conventional free air thermal current	I_{th}	40 A	63 A	100 A
Conventional enclosed thermal current	I_{the}	40 A	55 A	100 A
Conventional thermal current in enclosure (multipole)	I_{the}	40 A	50 A	80 A
Rated uninterrupted current	I_u	40 A	63 A	100 A
Rated operational current	U_e	690 V	690 V	690 V
Rated insulation voltage	U_i	690 V	690 V	690 V
Rated impulse withstand voltage	U_{imp}	8 kV	8 kV	8 kV
6 Rated operational current				
AC-21A				
At $U_e = 240$ V AC-21A	I_e	40 A	63 A	100 A
At $U_e = 440$ V AC-21A	I_e	40 A	63 A	100 A
At $U_e = 500$ V AC-21A	I_e	40 A	63 A	100 A
At $U_e = 690$ V AC-21A	I_e	40 A	63 A	100 A
AC-22A				
At $U_e = 240$ V AC-22A	I_e	40 A	63 A	100 A
At $U_e = 440$ V AC-22A	I_e	40 A	63 A	100 A
At $U_e = 500$ V AC-22A	I_e	40 A	63 A	100 A
At $U_e = 690$ V AC-22A	I_e	40 A	55 A	85 A
Rated operational current/power				
AC-23A				
At $U_e = 240$ V AC-23A	I_e	7.5 kW	11 kW	22 kW
At $U_e = 440$ V AC-23A	I_e	15 kW	22 kW	37 kW
At $U_e = 500$ V AC-23A	I_e	18.5 kW	30 kW	45 kW
At $U_e = 690$ V AC-23A	I_e	15 kW	18.5 kW	30 kW
AC-3				
At $U_e = 240$ V AC-3	I_e	7.5 kW	11 kW	18.5 kW
At $U_e = 440$ V AC-3	I_e	11 kW	18.5 kW	30 kW
At $U_e = 500$ V AC-3	I_e	15 kW	22 kW	37 kW
At $U_e = 690$ V AC-3	I_e	11 kW	15 kW	22 kW
Rated short-time withstand current	I_{cw}	0.5 kA - 1 s	0.78 kA - 1 s	1.85 kA - 1 s
Rated short-circuit making capacity	I_{cm}	3 kA	3 kA	3 kA
Rated conditional fuse-protected short-circuit current withstand/making	$I_p (I_q)$	15 kA	15 kA	15 kA
Fuse link	I_n	50 A	63 A	100 A
Switched neutral conventional free air thermal current	I_{the}	40 A	63 A	100 A
Rated operational current				
At $U_e = 500$ V AC-22A	I_e	40 A	63 A	100 A
Auxiliary switch				
Rated operational current				
At $U_e = 380$ V AC-11	I_e	3 A	3 A	3 A
At $U_e = 660$ V AC-11	I_e	10 A	10 A	10 A
Terminal capacities				
Copper conductor				
Solid		2.5 - 16 mm ²	2.5 - 16 mm ²	10 - 35 mm ²
Stranded		2.5 - 16 mm ²	2.5 - 16 mm ²	10 - 35 mm ²
Flexible		2.5 - 10 mm ²	2.5 - 16 mm ²	10 - 35 mm ²
Tightening torque		1.2 Nm	1.2 Nm	2.5 Nm
Pollution degree		III/3		
Protection class		IP20		
Standards		EN IEC 60947-3, EAC		

Outline drawings for QM Outline drawings for Multipole mechanisms (Dimensions are in mm) (Dimensions are in mm)

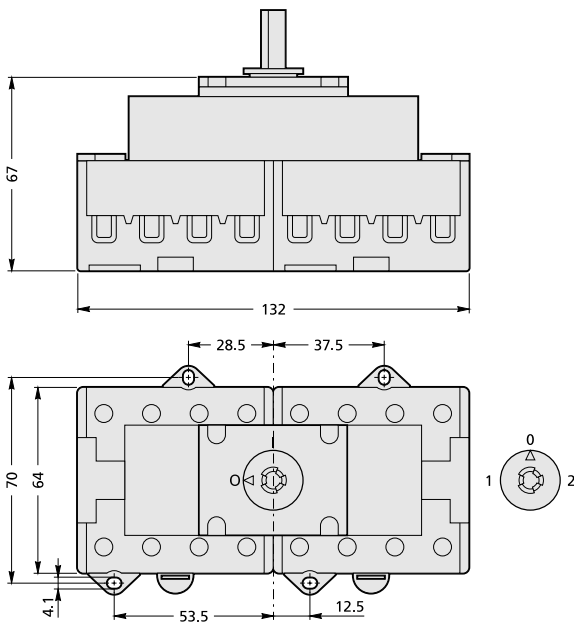
6-pole, QM63/3 and QM63/6



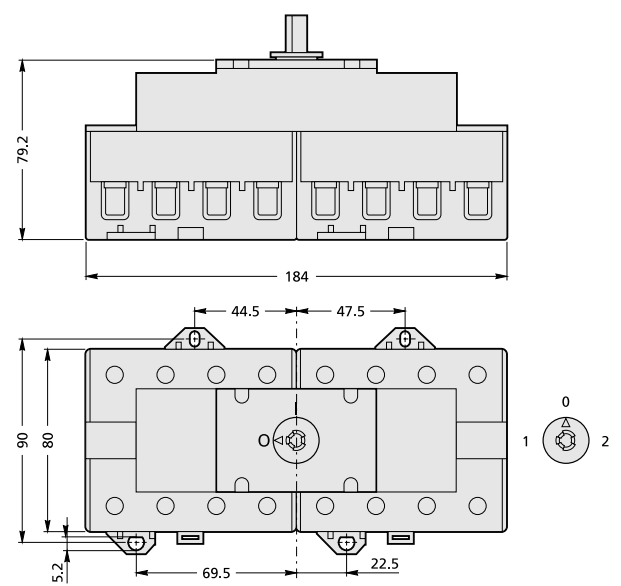
6-pole, QM100/3 and QM100/6



8-pole, QM40/3N, QM63/3N and QM63/6N2



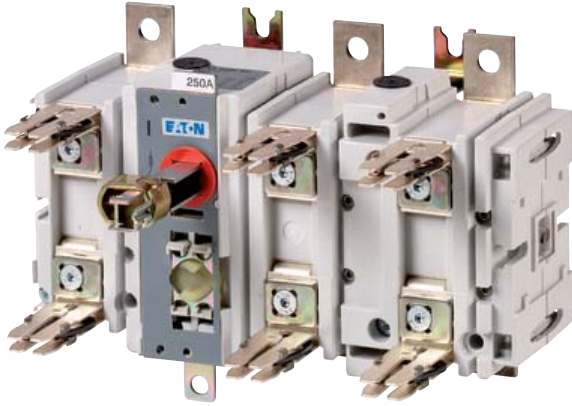
8-pole, QM100/3N and QM100/6N2



Switch-disconnectors fuses, 40 A to 800 A, 690 V a.c.

QSA Switch-disconnector fuses, 40 A to 800 A, 690 V a.c.

7



QSA DIN



QSA BS

Description

The QSA Switch-disconnector fuses provide the ultimate safety in electrical protection for equipment and personnel.

The NH DIN fuse links and low voltage British Standard industrial fuse links, fitted in the QSA unit protect the equipment against overcurrents and the switch enables safe disconnection for a high number of switching operations.

Frame sizes

0, 1, 2 and 3

Standards/Approvals

- IEC 60947-3
- EAC,
- KEMA-KEUR
- Lloyd's Register

Technical data

- Voltage: 690 V ac.
- Current: 40 A to 800 A
- 3-pole and solid/switched neutral options

Recommended fuse links

- For QSA DIN: Eaton's Bussmann series low voltage NH Fuse links body size 00 to 3
- For QSA BS: Eaton's Bussmann series low voltage British Standard industrial fuse links

Features

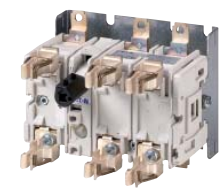
- All standard switches have a 3-pole frame
- Separate switched or bolted neutrals can be mounted to the switch on location or ordered pre-mounted
- Totally enclosed compact housing made of creepage-proof, heat resistant, insulation material
- Spring-loaded silver-plated roller contacts
- Independent manual operation
- Double break interruption
- Easy to install

QSA Switch-disconnector fuses, suitable for NH DIN Fuse links, 40 A to 800 A, 690 V a.c.

QSA DIN range overview

QSA DIN	Frame size	40 A	63 A	100 A	125 A	160 A	200 A	250 A	315 A	400 A	630 A	800 A
Switch-disconnector fuses	0	✓	✓									
	1		✓	✓	✓	✓						
	2						✓	✓	✓	✓		
	3									✓	✓	✓

QSA DIN Switch-disconnector fuses



1320205



1318546



1318526



1318542

Thermal current I_{the}	Number of poles	Frame size	Part number	Article number	Pack qty	Compatible Eaton's Bussmann series NH Fuse body size
40 A	3P	0	QSA40N0-00/3	1320201	1	NH 000 and NH 00
40 A	3P	0	QSA40N0-00/3+P*	1320205*	1	NH 000 and NH 00
63 A	3P	0	QSA63N0-00/3	1320203	1	NH 000 and NH 00
63 A	3P	0	QSA63N0-00/3+P*	1320207*	1	NH 000 and NH 00
63 A	3P + solid neutral	0	QSA63N0-00/1	1320297	1	NH 000 and NH 00
63 A	3P + switched neutral	0	QSA63N0-00/3N	1320298	1	NH 000 and NH 00
63 A	3P	1	QSA63N1-00/3	1318027	1	NH 000 and NH 00
100 A	3P	1	QSA100N1-00/3	1318546	1	NH 000 and NH 00
100 A	3P + solid neutral	1	QSA100N1-00/1	1318550	1	NH 000 and NH 00
100 A	3P + switched neutral	1	QSA100N1-00/3N	1318551	1	NH 000 and NH 00
125 A	3P	1	QSA125N1-00/3	1318030	1	NH 000 and NH 00
160 A	3P	1	QSA160N1-00/3	1318033	1	NH 000 and NH 00
160 A	3P + solid neutral	1	QSA160N1-00/1	1318552	1	NH 000 and NH 00
160 A	3P + switched neutral	1	QSA160N1-00/3N	1318553	1	NH 000 and NH 00
200 A	3P	2	QSA200N-2/3	1318547	1	NH 1 and 2
250 A	3P	2	QSA250N-2/3	1318526	1	NH 1 and 2
250 A	3P + solid neutral	2	QSA250N-2/1	1318554	1	NH 1 and 2
250 A	3P + switched neutral	2	QSA250N-2/3N	1318555	1	NH 1 and 2
315 A	3P	2	QSA315N-2/3	1318548	1	NH 1 and 2
400 A	3P	2	QSA400N-2/3**	1318533**	1	NH 1 and 2
400 A	3P + solid neutral	2	QSA400N-2/1**	1318612**	1	NH 1 and 2
400 A	3P + switched neutral	2	QSA400N-2/3N**	1318614**	1	NH 1 and 2
400 A	3P	3	QSA400-3/3	1318549	1	NH 3
630 A	3P	3	QSA630-3/3	1318542	1	NH 3
630 A	3P + solid neutral	3	QSA630-3/1	1318694	1	NH 3
630 A	3P + switched neutral	3	QSA630-3/3N	1318699	1	NH 3
800 A	3P	3	QSA800-3/3**	1318543**	1	NH 3

* Switch-disconnector fuses with box terminal clamps

** Thermal current rating only applicable when utilised in a ventilated enclosure

See compatible Eaton's Bussmann series NH fuse links pages 76 and 77

Switch-disconnectors fuses, 40 A to 800 A, 690 V a.c.

QSA Switch-disconnector fuses, suitable for British Standard industrial fuse links, 40 A to 800 A, 690 V a.c.

QSA BS Switch-disconnector fuses range overview

QSA DIN	Frame size	40 A	63 A	100 A	125 A	160 A	200 A	250 A	315 A	400 A	630 A	800 A
Switch-disconnector fuses	0	✓	✓									
	1		✓	✓	✓	✓						
	2						✓	✓	✓	✓		
	3									✓	✓	✓

7

QSA BS Switch-disconnector fuses



1319065

Thermal current I_{th}	Number of poles	Frame size	Part number	Article number	Pack qty	Compatible fuse links BS reference	Compatible Eaton's Bussmann series fuse links
40 A	3P	0	QSA40N0-A3/3	1320200	1	A3	BAO, TIS
63 A	3P	0	QSA63N0-A3/3	1320202	1	A3	
40 A	3P	0	QSA40N0-A3/3+P*	1320204*	1	A3	
63 A	3P	0	QSA63N0-A3/3+P*	1320206*	1	A3	
63 A	3P	1	QSA63N1-A3/3	1318011	1	A3	BAO, TIS
100 A	3P	1	QSA100N1-A4/3	1318016	1	A4	CEO, TCP
125 A	3P	1	QSA125N1-B2/3	1318020	1	B1 and B2	CD, DD, TC, TF
160 A	3P	1	QSA160N1-B2/3	1318023	1	B1 and B2	
200 A	3P	2	QSA200N-B2/3	1319065	1	B1 to B4	CD, DD, ED, TC, TF, TKF, TMF
250 A	3P	2	QSA250N-B4/3	1319074	1	B1 to B4	
315 A	3P	2	QSA315N-B4/3	1319095	1	B1 to B4	
400 A	3P	2	QSA400N-B4/3**	1319103**	1	B1 to B4	
400 A	3P	3	QSA400-C3/3	1318537	1	C1 to C3	EF, FF, GF, TTM
630 A	3P	3	QSA630-C3/3	1318544	1	C1 to C3	
800 A	3P	3	QSA800-C3/3**	1319175**	1	C1 to C3	

* Switch-disconnector fuses with box terminal clamps

** Thermal current rating only applicable when utilised in a ventilated enclosure

See details on compatible Eaton's Bussmann series British Standard fuse links page 78 to 80

Handles and shafts for QSA (Handles and shaft are to be ordered separately)

Handles mounting types overview

Frame size	K Type handles	A Type handles			C Type handles		D/P Type handles			D/C Type handles		
		Blue	Red	Grey	Blue	Red	Blue	Red/ Yellow	Grey	Blue	Red/ Yellow	Grey
0	K1	✓	✓	✓	✓	✓	✓	✓	✓			
1	K2	✓	✓	✓	✓	✓	✓	✓	✓	✓	✓	✓
2	K3	✓	✓	✓	✓	✓	✓	✓	✓	✓	✓	✓
3	K4	✓	✓	✓	✓	✓	✓	✓	✓	✓	✓	✓

A Type: Handle mounted directly on switch

C Type: Without interlock function, for example when mounted on the cover of Eaton's Halyester enclosure range

D/P Type: Handle padlockable for mounting on hinged door, with interlock function

D/C Type: Handle with cylinder lock for mounting on hinged door, supplied with two keys, with interlock function

See handles dimensions pages 96 to 99

A Type handles

Mounted directly on switch



K1 A handle
1818001



K2 A handle
1818005



K3 A handle
1818202



K4 A handle
1818010



Shafts

QSA Type	Frame size	A Type handles			Shaft mm□	Metal shafts						Pack qty
		Handle colours				Length of shaft						
		Blue	Red	Grey		115 mm	135 mm	140 mm	180 mm	300 mm	600 mm	
QSA40N0	0	K1AB 1818001	K1AR 1818002	K1AG 1818200	6 x 6				4K6180MMK1/2S 1319830	4K6300MMK1/2S 1319831	4K6600MMK1/2S 1319832	1
QSA63N1	1				8 x 8	4K8115MMK2 1319303		4K8140MMK2 1319306	4K8180MMK2 1319307	4K8300MMK2 1319311	4K8600MMK2 1319301	1
QSA100N1	1	K2AB 1818005	K2AR 1818006	K2AG 1818201								
QSA125N1	1											
QSA160N1	1											
QSA200N	2											
QSA250N	2	K3AB 1818110	K3AR 1818111	K3AG 1818202	10 x 10		4K10135MMK3 1319314		4K10180MMK3 1319315	4K10300MMK2 1319319	4K10600MMK2 1319322	1
QSA315N	2											
QSA400N	2											
QSA400	3											
QSA630	3	K4AB 1818009	K4AR 1818010	K4AG 1818203	12 x 12					4K12300MMK4 1319326	4K12600MMK4 1319329	1
QSA800	3											

Switch-disconnectors fuses, 40 A to 800 A, 690 V a.c.

Handles and shafts for QSA (Handles and shaft are to be ordered separately)

C Type handles

Without interlock function, for example when mounted on the cover of Eaton's Halyester enclosure range



K1 C handle
1818016



K2 C handle
1818019



K3 C handle
1818112



K4 C handle
1818023



Shafts

C Type handles

Metal shafts

QSA	Frame size	Handle colour			Shaft mm□	Length of shaft					Pack qty	
		Blue	Red/yellow			115 mm	135 mm	140 mm	180 mm	300 mm		600 mm
QSA40N0	0	K1CB 1818015	K1CR 1818016		6 x 6				4K6180MMK1/2S 1319830	4K6300MMK1/2S 1319831	4K6600MMK1/2S 1319832	1
QSA63N0	0											
QSA63N1	1											
QSA100N1	1	K2CB 1818019	K2CR 1818020		8 x 8	4K8115MMK2 1319303		4K8140MMK2 1319306	4K8180MMK2 1319307	4K8300MMK2 1319311	4K8600MMK2 1319301	1
QSA125N1	1											
QSA160N1	1											
QSA200N	2											
QSA250N	2	K3CB 1818068	K3CR 1818112		10 x 10		4K10135MMK3 1319314		4K10180MMK3 1319315	4K10300MMK2 1319319	4K10600MMK2 1319322	1
QSA315N	2											
QSA400N	2											
QSA400	3											
QSA630	3	K4CB 1818023	K4CR 1818024		12 x 12					4K12300MMK4 1319326	4K12600MMK4 1319329	1
QSA800	3											

D/P Type handles

Padlockable for mounting on hinged door, with interlock function



K1 D/P handle
1818029



K2 D/P handle
1818036



K3 D/P handle
1818113



K4 D/P handle
1818052



Shafts

D/P Type handles

Metal shafts

QSA	Frame size	Handle colour			Shaft mm□	Length of shaft					Pack qty	
		Blue	Red/yellow	Grey		115 mm	135 mm	140 mm	180 mm	300 mm		600 mm
QSA40N0	0	K1DB/P 1818029	K1DR/P 1818030	K1DG/P 1818031	6 x 6				4K6180MMK1/2S 1319830	4K6300MMK1/2S 1319831	4K6600MMK1/2S 1319832	1
QSA63N0	0											
QSA63N1	1											
QSA100N1	1	K2DB/P 1818035	K2DR/P 1818036	K2DG/P 1818037	8 x 8	4K8115MMK2 1319303		4K8140MMK2 1319306	4K8180MMK2 1319307	4K8300MMK2 1319311	4K8600MMK2 1319301	1
QSA125N1	1											
QSA160N1	1											
QSA200N	2											
QSA250N	2	K3DB/P 1818113	K3DR/P 1818096	K3DG/P 1818069	10 x 10		4K10135MMK3 1319314		4K10180MMK3 1319315	4K10300MMK2 1319319	4K10600MMK2 1319322	1
QSA315N	2											
QSA400N	2											
QSA400	3											
QSA630	3	K4DB/P 1818050	K4DR/P 1818051	K4DG/P 1818052	12 x 12					4K12300MMK4 1319326	4K12600MMK4 1319329	1
QSA800	3											

Handles and shafts for QSA (Handles and shaft are to be ordered separately)

D/C Type handles

With cylinder lock for mounting on hinged door, supplied with two keys, with interlock function



K2 D/C handle
1818041



K3 D/C handle
1818097



K4 D/C handle
1818055



Shafts

QSA	Frame size	D/C Type handles			Metal shafts						Pack qty	
		Handle Type			Shaft mm□	Length of shaft						
		Blue	Red/yellow	Grey		115 mm	135 mm	140 mm	180 mm	300 mm		600 mm
QSA63N1	1	K2DB/C 1818041	K2DR/C 1818042	K2DG/C 1818043	8 x 8	4K8115MMK2 1319303		4K8140MMK2 1319306	4K8180MMK2 1319307	4K8300MMK2 1319311	4K8600MMK2 1319301	1
QSA100N1	1											
QSA125N1	1											
QSA160N1	1											
QSA200N	2	K3DB/C 1818114	K3DR/C 1818097	K3DG/C 1818070	10 x 10		4K10135MMK3 1319314		4K10180MMK3 1319315	4K10300MMK2 1319319	4K10600MMK2 1319322	1
QSA250N	2											
QSA315N	2											
QSA400N	2											
QSA400	3	K4DB/C 1818053	K4DR/C 1818054	K4DG/C 1818055	12 x 12					4K12300MMK4 1319326	4K12600MMK4 1319329	1
QSA630	3											
QSA800	3											

Accessories for QSA

Conversion kit for locking the DType handles in both On and Off position



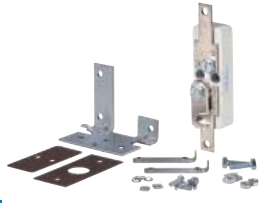
1818103

QSA	Frame size	DIN/BS	Part number	Article number	Pack qty
QSA40N0	0	✓	ADAPTORPADLOCK-K1	1818103	1
QSA63N0	0	✓			1
QSA63N1	1	✓			1
QSA100N1	1	✓			1
QSA125N1	1	✓	ADAPTORPADLOCK-K2	1818104	1
QSA160N1	1	✓			1
QSA200N	2	✓			1
QSA250N	2	✓	ADAPTORPADLOCK-K3	1818105	1
QSA315N	2	✓			1
QSA400N	2	✓			1
QSA400	3	✓			1
QSA630	3	✓	ADAPTORPADLOCK-K4	1818106	1
QSA800	3	✓			1

Switch-disconnectors fuses, 40 A to 800 A, 690 V a.c.

Accessories for QSA

Solid neutrals, side mounted



7

1319472

QSA Type	Frame size	DIN/BS	Part number	Article number	Pack qty
QSA40N0	0	✓			1
QSA63N0	0	✓	QSAN40/63A	1319460	1
QSA63N1	1	✓			1
QSA100N1	1	✓			1
QSA125N1	1	✓	QSAN100/125A	1319466	1
QSA160N1	1	✓	QSAN160A	1319472	1
QSA200N	2	✓			1
QSA250N	2	✓	QSAN160/200A	1319473	1
QSA315N	2	✓			1
QSA400N	2	✓	QSAN250/315/400A	1319480	1
QSA400	3	✓			1
QSA630	3	✓	QSAN400/630/800A	1319486	1
QSA800	3	✓			1

Switched neutrals, side mounted



1319482

QSA Type	Frame size	DIN/BS	Part number	Article number	Pack qty
QSA40N0	0	✓			1
QSA63N0	0	✓	QSANS40/63A	1319462	1
QSA63N1	1	✓			1
QSA100N1	1	✓			1
QSA125N1	1	✓	QSANS100/125A	1319467	1
QSA160N1	1	✓	QSANS160A	1319474	1
QSA200N	2	✓			1
QSA250N	2	✓	QSANS160/200A	1319476	1
QSA315N	2	✓			1
QSA400N	2	✓	QSANS250/315/400A	1319482	1
QSA400	3	✓			1
QSA630	3	✓	QSANS400/630/800A	1319662	1
QSA800	3	✓			1

Accessories for QSA

Auxiliary contact set

Auxiliary contact 1 NO + 1 NC



6028293

QSA Type	Frame size	DIN/BS	Part number	Article number	Pack qty
QSA40N0	0	✓			1
QSA63N0	0	✓			1
QSA63N1	1	✓			1
QSA100N1	1	✓			1
QSA125N1	1	✓	AUX1NO+1NC-BOX012	6028293	1
QSA160N1	1	✓			1
QSA200N	2	✓			1
QSA250N	2	✓			1
QSA315N	2	✓			1
QSA400N	2	✓			1
QSA400	3	✓			1
QSA630	3	✓	AUX1NO+1NC-BOX3	6101137	1
QSA800	3	✓			1

Replacement adaptors available Part number AUXADAPTERDMV/QSA / 6098593

1-pole transparent terminal covers

Terminal cover for cable lugs on connection terminals

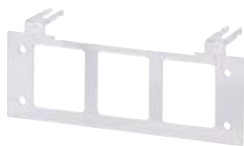


1319411

QSA Type	Frame size	DIN	BS	Number of poles	Bolt Type	Part number	Article number	Pack qty
QSA40N0	0	✓	✓	1P	M6			1
QSA63N0	0	✓	✓	1P	M6	QSACOVER1PM6	1319409	1
QSA100N1	1	✓	✓	1P	M6			1
QSA125N1	1	✓	✓	1P	M6			1
QSA160N1	1	✓	✓	1P	M8	QSACOVER1PM8	1319411	1
QSA200N (BS)	2		✓	1P	M8			1
QSA200N (DIN)	2	✓		1P	M10			1
QSA250N	2	✓	✓	1P	M10	QSACOVER1PM10	1319413	1
QSA315N	2	✓	✓	1P	M10			1
QSA400N	2	✓	✓	1P	M10			1
QSA400	3	✓	✓	1P	M12			1
QSA630	3	✓	✓	1P	M12	QSACOVER1PM12	1319415	1
QSA800	3	✓	✓	1P	M12			1

3-pole transparent terminal covers

For cable lugs on connection terminals, suitable for QSA Switch-disconnector fuses frame sizes 0, 1 and 2.



1319432

QSA Type	Frame size	DIN/BS	Number of poles	Part number	Article number	Pack qty
QSA40N0	0	✓	3P	QSATCOVERBOX0	1320239	1
QSA63N0	0	✓	3P			1
QSA63N1	1	✓	3P			1
QSA100N1	1	✓	3P	QSATCOVERBOX1	1319432	1
QSA125N1	1	✓	3P			1
QSA160N1	1	✓	3P			1
QSA200N	2	✓	3P			1
QSA250N	2	✓	3P	QSATCOVERBOX2	1319418	1
QSA315N	2	✓	3P			1
QSA400N	2	✓	3P			1

Switch-disconnectors fuses, 40 A to 800 A, 690 V a.c.

Accessories for QSA

Transparent front cover

Used to shield live parts at the front of the QSA Switch-disconnector fuses



QSA Type	Frame size	DIN	BS	Part number	Article number	Pack qty
QSA40N0	0	✓	✓	QSAFCOVER40N0-63N0	1320237	1
QSA63N0	0	✓	✓			1
QSA63N1	1	✓	✓			1
QSA100N1 (DIN)	1	✓		QSAFCOVER63N1-125N1	1319435	1
QSA125N1 (DIN)	1	✓				1
QSA160N1 (DIN)	1	✓		QSAFCOVER160N1	1318476	1
QSA100N1 (BS)	1		✓	QSAFCOVER160N1-A4/3	1319423	1
QSA125N1 (BS)	1		✓	QSAFCOVER125N1-160N1-B2/3	1319438	1
QSA160N1 (BS)	1		✓			1
QSA200N	2	✓	✓			1
QSA250N	2	✓	✓	QSAFCOVER160N-400N	1319429	1
QSA315N	2	✓	✓			1
QSA400N	2	✓	✓			1
QSA400	3	✓	✓			1
QSA630	3	✓	✓	QSAFCOVER400-800	1319426	1
QSA800	3	✓	✓			1

1-pole rear cover

Used to shield live parts at the back of the QSA Switch-disconnector fuses



QSA Type	Frame size	DIN	BS	Number of poles	Part number	Article number	Pack qty
QSA63N1	1	✓	✓	1P			1
QSA100N1 (BS)	1		✓	1P	QSARCOVER1P63-160	1319439	1
QSA125N1	1	✓	✓	1P			1
QSA160N1	1	✓	✓	1P			1
QSA200N	2	✓	✓	1P			1
QSA250N	2	✓	✓	1P	QSARCOVER1P160-400	1319441	1
QSA315N	2	✓	✓	1P			1
QSA400N	2	✓	✓	1P			1

Rear cover for QSA frame size 3 only

Used to shield live parts at the back of the QSA Switch-disconnector fuses frame size 3



QSA Type	Frame size	DIN	BS	Number of poles	Part number	Article number	Pack qty
QSA400	3	✓	✓	1P			1
QSA630	3	✓	✓	1P	QSARCOVER400-800-C3/3	1319417	1
QSA800	3 (BS)		✓	1P			1

1319417

Accessories for QSA

Coupling links for extension of universal shafts



1319833



1319336

QSA Type	Frame size	DIN/BS	Shaft mm□	Part number	Article number	Pack qty
QSA40N0	0	✓	6 x 6	COUP6X6MM	1319833	1
QSA63N0	0	✓	6 x 6			1
QSA63N1	1	✓	8 x 8	COUP8X8MM	1319332	1
QSA100N1	1	✓	8 x 8			1
QSA125N1	1	✓	8 x 8			1
QSA160N1	1	✓	8 x 8			1
QSA200N	2	✓	10 x 10	COUP10X10MM	1319334	1
QSA250N	2	✓	10 x 10			1
QSA315N	2	✓	10 x 10			1
QSA400N	2	✓	10 x 10			1
QSA400	3	✓	12 x 12	COUP12X12MM	1319336	1
QSA630	3	✓	12 x 12			1
QSA800	3	✓	12 x 12			1

Coupling links for converting shafts sizes



1319398

Shaft mm□	Part number	Article number	Pack qty
From 10 x 10 mm to 12 x 12 mm	4K10/4K12	1319398	1
From 12 x 12 mm to 14 x 14 mm	4K12/4K14	1318685	1

Fused switch-disconnectors, 40 A to 800 A, 690 V a.c.

Technical data for QSA

QSA 40 - 63 A, DIN or BS fuse links, frame size 0

		QSA 40N0		QSA 63N0	
Conventional free air thermal current	I_{th}	40 A		63 A	
Conventional enclosed thermal current	I_{the}	40 A		63 A	
Rated uninterrupted current	I_u	40 A		63 A	
Rated operational voltage	U_e	690 V		690 V	
Rated insulation voltage	U_i	800 V		800 V	
Rated impulse withstand voltage	U_{imp}	8 kV 6 kV with switched neutral		8 kV 6 kV with switched neutral	
Rated frequency		50 Hz		50 Hz	
Storage temperature		-30°C...+80°C		-30°C...+80°C	
Rated operational current					
AC-21A					
At $U_e = 415$ V AC-21A	I_e	40 A		63 A	
At $U_e = 500$ V AC-21A	I_e	40 A		63 A	
At $U_e = 690$ V AC-21A	I_e	40 A		63 A	
AC-22A					
At $U_e = 415$ V AC-22A	I_e	40 A		63 A	
At $U_e = 500$ V AC-22A	I_e	40 A		63 A	
At $U_e = 690$ V AC-22A	I_e	40 A		63 A	
AC-23A					
At $U_e = 415$ V AC-23A	I_e	40 A		63 A	
At $U_e = 500$ V AC-23A	I_e	40 A		63 A	
At $U_e = 690$ V AC-23A	I_e	40 A		63 A	
Rated operational power					
At $U_e = 415$ V AC-23A		22 kW		30 kW	
At $U_e = 500$ V AC-23A		25 kW		45 kW	
At $U_e = 690$ V AC-23A		37 kW		59 kW	
Rated conditional short-circuit current	$I_p (I_q)$	690 V: 50 kA	415 V: 100 kA	690 V: 50 kA	415 V: 100 kA
Cut-off current	max.	690 V: 14.5 kA	440 V: 11 kA	690 V: 14.5 kA	440 V: 11 kA
Joule integral	max.	690 V: 140 kA ² s	440 V: 18.4 kA ² s	690 V: 140 kA ² s	440 V: 18.4 kA ² s
Fuse-link max	I_n	690 V: 125 A	440 V: 63 A	690 V: 125 A	440 V: 63 A
Compatible fuse links		NH 000, NH 00 and BS Ref A3		NH 000, NH 00 and BS Ref A3	
Power dissipation per pole	P	1.5 W		2.3 W	
Pollution degree		III/3		III/3	
Protection class		IP00 without terminal cover IP20 with terminal cover			
Standards		EN-IEC 60947-3, EAC			
Certification		KEMA-KEUR, Lloyd's Register			

Technical data for QSA

QSA 63 - 160 A, DIN or BS fuse links, frame size 1

		QSA 63N1	QSA 100N1	QSA 125N1	QSA 160N1
Conventional free air thermal current	I_{th}	63 A	100 A	125 A	160 A
Conventional enclosed thermal current	I_{the}	63 A	100 A	125 A	160 A
Rated uninterrupted current	I_u	63 A	100 A	125 A	160 A
Rated operational voltage	U_e	690 V	690 V	690 V	690 V
Rated insulation voltage	U_i	1000 V	1000 V	1000 V	1000 V
Rated impulse withstand voltage	U_{imp}	8 kV 6 kV with switched neutral	8 kV 6 kV with switched neutral	8 kV 6 kV with switched neutral	8 kV 6 kV with switched neutral
Rated frequency		50 Hz	50 Hz	50 Hz	50 Hz
Storage temperature		-30°C...+80°C	-30°C...+80°C	-30°C...+80°C	-30°C...+80°C
Rated operational current					
AC-21A					
At $U_e = 415$ V AC-21A	I_e	63 A	100 A	125 A	160 A
At $U_e = 500$ V AC-21A	I_e	63 A	100 A	125 A	160 A
At $U_e = 690$ V AC-21A	I_e	63 A	100 A	125 A	160 A
AC-22A					
At $U_e = 415$ V AC-22A	I_e	63 A	100 A	125 A	160 A
At $U_e = 500$ V AC-22A	I_e	63 A	100 A	125 A	160 A
At $U_e = 690$ V AC-22A	I_e	63 A	100 A	125 A	160 A
AC-23A					
At $U_e = 415$ V AC-23A	I_e	63 A	100 A	125 A	160 A
At $U_e = 500$ V AC-23A	I_e	63 A	100 A	125 A	160 A
At $U_e = 690$ V AC-23A	I_e	63 A	100 A	125 A	160 A
Rated operational power					
At $U_e = 415$ V AC-23A		30 kW	55 kW	59 kW	90 kW
At $U_e = 500$ V AC-23A		45 kW	59 kW	80 kW	110 kW
At $U_e = 690$ V AC-23A		59 kW	90 kW	110 kW	147 kW
Rated conditional short-circuit current	$I_p (I_q)$	690 V: 50 kA 415 V: 100 kA	690 V: 50 kA 415 V: 100 kA	690 V: 50 kA 415 V: 100 kA	690 V: 50 kA 415 V: 100 kA
Cut-off current	max.	690 V: 27 kA 440 V: 23 kA	690 V: 27 kA 440 V: 23 kA	690 V: 27 kA 440 V: 23 kA	690 V: 27 kA 440 V: 23 kA
Joule integral	max.	690 V: 820 kA ² s 440 V: 143 kA ² s	690 V: 140 kA ² s 440 V: 18.4 kA ² s	690 V: 820 kA ² s 440 V: 143 kA ² s	690 V: 140 kA ² s 440 V: 18.4 kA ² s
Fuse-link max	I_n	690 V: 315 A 440 V: 160 A	690 V: 315 A 440 V: 160 A	690 V: 315 A 440 V: 160 A	690 V: 315 A 440 V: 160 A
Compatible fuse links		NH00 BS Ref A3	NH 00 BS Ref A4 max. \varnothing 30mm	NH 00 BS Ref B1 and B2	NH 00 BS ref B1
Power dissipation per pole	P	2 W	6 W	9 W	10 W
Pollution degree		III/3	III/3	III/3	III/3
Protection class		IP00 without terminal cover IP20 with terminal cover			
Standards		EN-IEC 60947-3, EAC			
Certification		KEMA-KEUR, Lloyd's Register			

Fused switch-disconnectors, 40 A to 800 A, 690 V a.c.

Technical data for QSA

QSA 200 - 400 A, DIN or BS fuse links, frame size 2

		QSA 200N	QSA 250N	QSA 315N	QSA 400N
Conventional free air thermal current	I_{th}	200 A	250 A	315 A	400 A
Conventional enclosed thermal current	I_{the}	200 A	250 A	315 A	355 A*
Rated uninterrupted current	I_u	200 A	250 A	315 A	355 A / 400 A
Rated operational voltage	U_e	690 V	690 V	690 V	690 V
Rated insulation voltage	U_i	1000 V	1000 V	1000 V	1000 V
Rated impulse withstand voltage	U_{imp}	12 kV 8 kV with neutral	12 kV 8 kV with neutral	12 kV 8 kV with neutral	12 kV 8 kV with neutral
Rated frequency		50 Hz	50 Hz	50 Hz	50 Hz
Storage temperature		-30°C...+80°C	-30°C...+80°C	-30°C...+80°C	-30°C...+80°C
Rated operational current					
AC-21A					
At $U_e = 415$ V AC-21A	I_e	200 A	250 A	315 A	400 A
At $U_e = 500$ V AC-21A	I_e	200 A	250 A	315 A	400 A
At $U_e = 690$ V AC-21A	I_e	200 A	250 A	315 A	400 A
AC-22A					
At $U_e = 415$ V AC-22A	I_e	200 A	250 A	315 A	400 A
At $U_e = 500$ V AC-22A	I_e	200 A	250 A	315 A	400 A
At $U_e = 690$ V AC-22A	I_e	200 A	250 A	315 A	400 A
AC-23A					
At $U_e = 415$ V AC-23A	I_e	200 A	250 A	315 A	400 A
At $U_e = 500$ V AC-23A	I_e	200 A	250 A	315 A	400 A
At $U_e = 690$ V AC-23A	I_e	200 A	250 A	315 A	400 A
Rated operational power					
At $U_e = 415$ V AC-23A		110 kW	147 kW	184 kW	220 kW
At $U_e = 500$ V AC-23A		140 kW	160 kW	220 kW	257 kW
At $U_e = 690$ V AC-23A		184 kW	220 kW	295 kW	375 kW
Rated conditional short-circuit current	$I_p (I_q)$	690 V: 50 kA 415 V: 100 kA	690 V: 50 kA 415 V: 100 kA	690 V: 50 kA 415 V: 100 kA	690 V: 50 kA 415 V: 100 kA
Cut-off current	max.	690 V: 57 kA 440 V: 43 kA	690 V: 57 kA 440 V: 43 kA	690 V: 57 kA 440 V: 43 kA	690 V: 57 kA 440 V: 43 kA
Joule integral	max.	690 V: 13000 kA ² s 440 V: 986 kA ² s	690 V: 13000 kA ² s 440 V: 986 kA ² s	690 V: 13000 kA ² s 440 V: 986 kA ² s	690 V: 13000 kA ² s 440 V: 986 kA ² s
Fuse-link max	I_n	690 V: 630 A 440 V: 400 A	690 V: 630 A 440 V: 400 A	690 V: 630 A 440 V: 400 A	690 V: 630 A 440 V: 400 A
Compatible fuse links		NH 1 and NH 2 BS Ref B1 and B2	NH 1 and NH 2 BS Ref B1 to B4	NH 1 and 2 BS Ref B1 to B4	NH 1 and 2 BS Ref B1 to B4
Power dissipation per pole	P	10 W	12 W	18 W	28 W
Pollution degree		III/3	III/3	III/3	III/3
Protection class		IP00 without terminal cover IP20 with terminal cover			
Standards		EN-IEC 60947-3, EAC			
Certification		KEMA-KEUR, Lloyd's Register			

* 400 A thermal current rating only applicable when utilised in a ventilated enclosure

Technical data for QSA

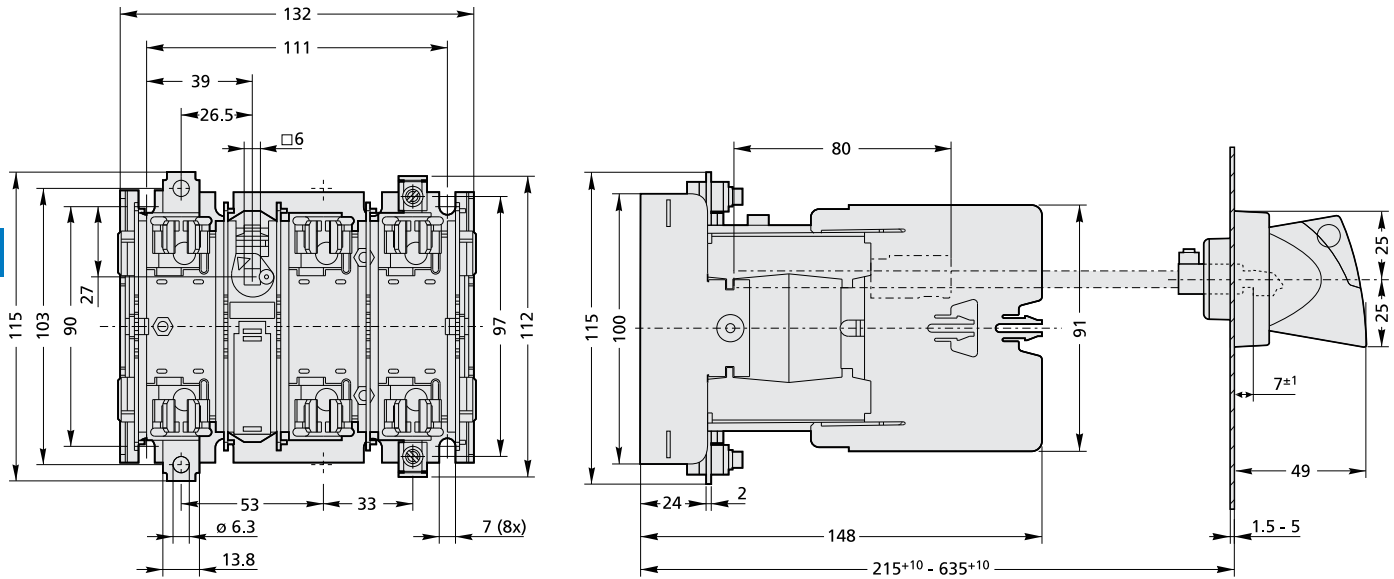
QSA 400 - 800 A, DIN or BS fuse links, frame size 3

		QSA 400	QSA 630	QSA 800
Conventional free air thermal current	I_{th}	400 A	630 A	800 A
Conventional enclosed thermal current	I_{the}	400 A	630 A	800 A
Rated uninterrupted current	I_u	400 A	630 A	800 A
Rated operational voltage	U_e	690 V	690 V	690 V
Rated insulation voltage	U_i	1000 V	1000 V	1000 V
Rated impulse withstand voltage	U_{imp}	12 kV	12 kV	12 kV
Rated impulse withstand voltage	U_{imp}	12 kV 8 kV with neutral	12 kV 8 kV with neutral	12 kV 8 kV with neutral
Rated frequency		50 Hz	50 Hz	50 Hz
Storage temperature		-30°C ...+80°C	-30°C ...+80°C	-30°C ...+80°C
Rated operational current				
AC-21A				
At $U_e = 415$ V AC-21A	I_e	400 A	630 A	800 A
At $U_e = 500$ V AC-21A	I_e	400 A	630 A	800 A
At $U_e = 690$ V AC-21A	I_e	400 A	630 A	800 A
AC-22A				
At $U_e = 415$ V AC-22A	I_e	400 A	630 A	800 A
At $U_e = 500$ V AC-22A	I_e	400 A	630 A	800 A
At $U_e = 690$ V AC-22A	I_e	400 A	630 A	800 A
AC-23A				
At $U_e = 415$ V AC-23A	I_e	400 A	630 A	800 A
At $U_e = 500$ V AC-23A	I_e	400 A	630 A	800 A
At $U_e = 690$ V AC-23A	I_e	400 A	630 A	800 A
Rated operational power				
At $U_e = 415$ V AC-23A		220 kW	375 kW	500 kW
At $U_e = 500$ V AC-23A		220 kW	375 kW	500 kW
At $U_e = 690$ V AC-23A		220 kW	375 kW	500 kW
Rated conditional short-circuit current	$I_p (I_q)$	690 V: 50 kA 415 V: 100 kA	690 V: 50 kA 415 V: 100 kA	690 V: 50 kA 415 V: 100 kA
Cut-off current	max.	690 V: 64 kA 440 V: 62.5 kA	690 V: 64 kA 440 V: 62.5 kA	690 V: 64 kA 440 V: 62.5 kA
Joule integral	max.	690 V: 13000 kA ² s 440 V: 3700 kA ² s	690 V: 13000 kA ² s 440 V: 3700 kA ² s	690 V: 13000 kA ² s 440 V: 3700 kA ² s
Fuse-link max	I_n	690 V: 800 A 440 V: 630 A	690 V: 800 A 440 V: 630 A	690 V: 800 A 440 V: 630 A
Compatible fuse links		NH 3 BS Ref C1 and C3	NH 3 BS Ref C1 and C3	NH 3 BS Ref C1 and C3
Power dissipation per pole	P	28 W	28 W	58 W
Pollution degree		III/3	III/3	III/3
Protection class		IP00 without terminal cover IP20 with terminal cover		
Standards		EN-IEC 60947-3, EAC		
Certification		KEMA-KEUR, Lloyd's Register		

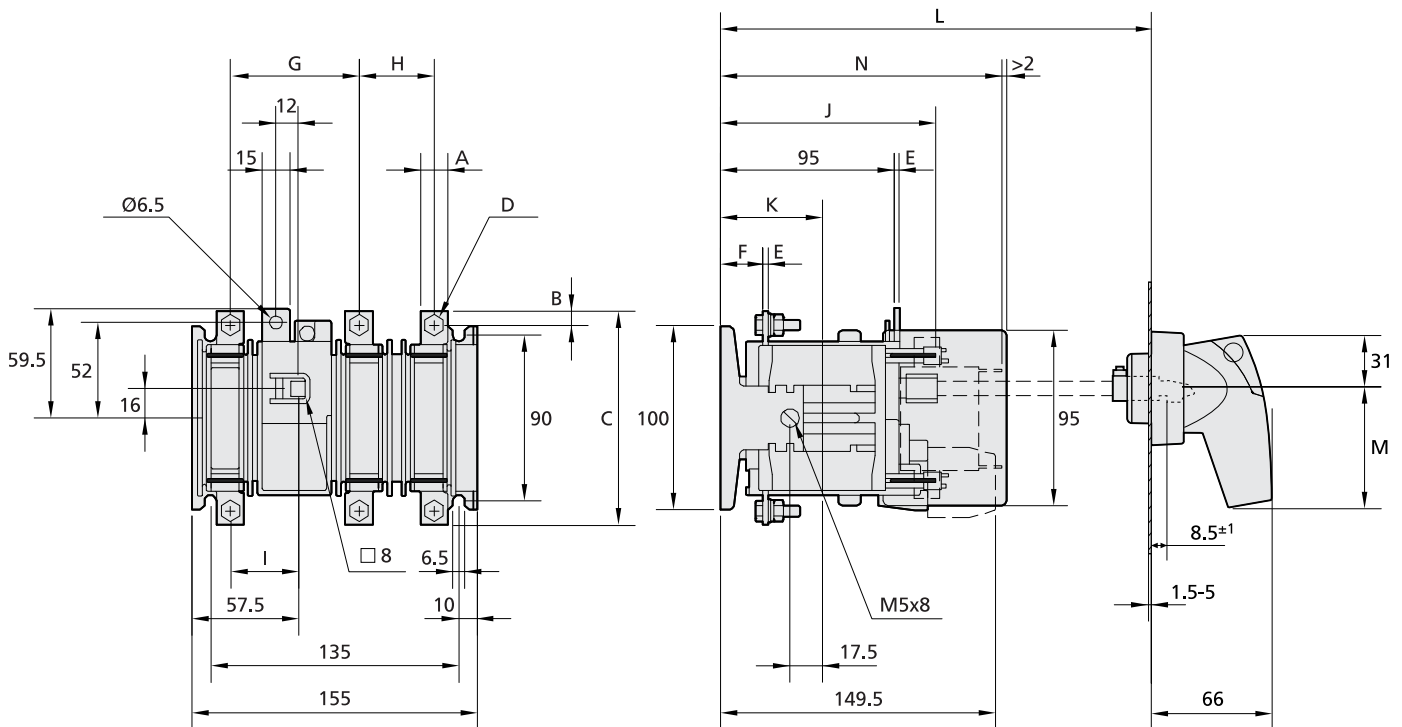
Switch-disconnectors fuses, 40 A to 800 A, 690 V a.c.

Outline drawings for QSA (Dimensions are in mm)

DIN QSA 40 A and 63 A - Frame size 0



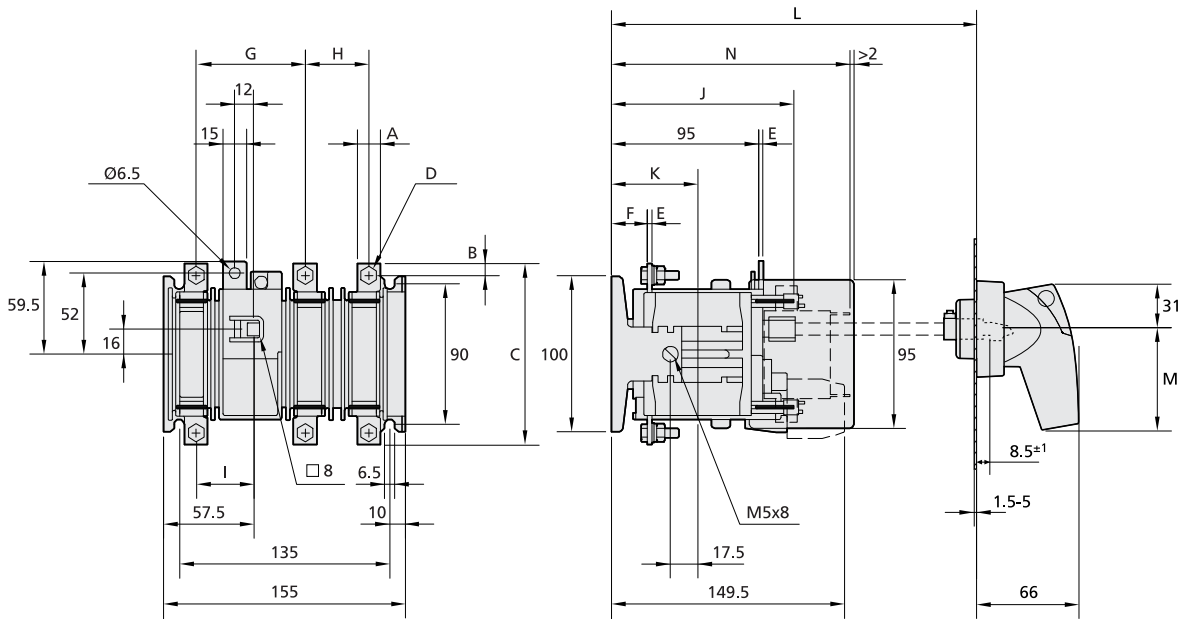
DIN QSA 63 A to 160 A - Frame size 1



Type	A	B	C	D	E	F	G	H	I	J	K	L	M	N
QSA 63N1-00	12	6	100	M5	2	24	72	38.5	38	118	55.5	200 ⁺¹⁰ - 620 ⁺¹⁰	62	155.5
QSA 100N1-00	15	7.5	116	M6	3	23	70	40.5	37	118	55.5	200 ⁺¹⁰ - 620 ⁺¹⁰	62	155.5
QSA 125N1-00	15	7.5	116	M8	3	23	70	40.5	37	118	55.5	200 ⁺¹⁰ - 620 ⁺¹⁰	62	155.5
QSA 160N1-00	20	10	127	M8	3	23	65	45.5	35	118	55.5	200 ⁺¹⁰ - 620 ⁺¹⁰	62	163

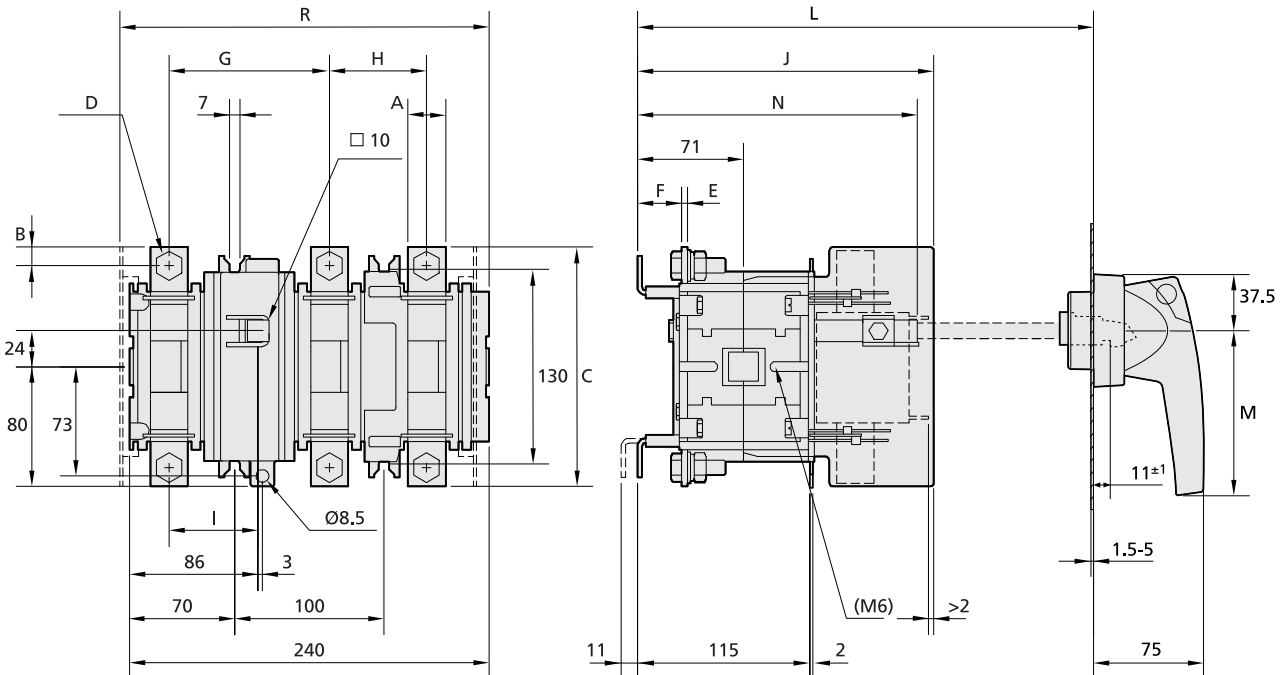
Outline drawings for QSA (Dimensions are in mm)

DIN QSA 200 A to 400 A - Frame size 2



Type	A	B	C	D	E	F	G	H	I	J	K	L	M	N	R
QSA 200N-2	25	12.5	160	M10	4	29	107	65	59.5	198	160	205 ⁺¹⁰ - 625 ⁺¹⁰	140	188	246.5
QSA 250N-2	25	12.5	160	M10	4	29	107	65	59.5	198	160	205 ⁺¹⁰ - 625 ⁺¹⁰	140	188	246.5
QSA 315N-2	25	12.5	160	M10	6	27	107	65	59.5	198	160	205 ⁺¹⁰ - 625 ⁺¹⁰	140	188	246.5
QSA 400N-2	25	12.5	160	M10	6	27	107	65	59.5	198	160	205 ⁺¹⁰ - 625 ⁺¹⁰	140	188	246.5

DIN QSA 400 A and 630 A - Frame size 3

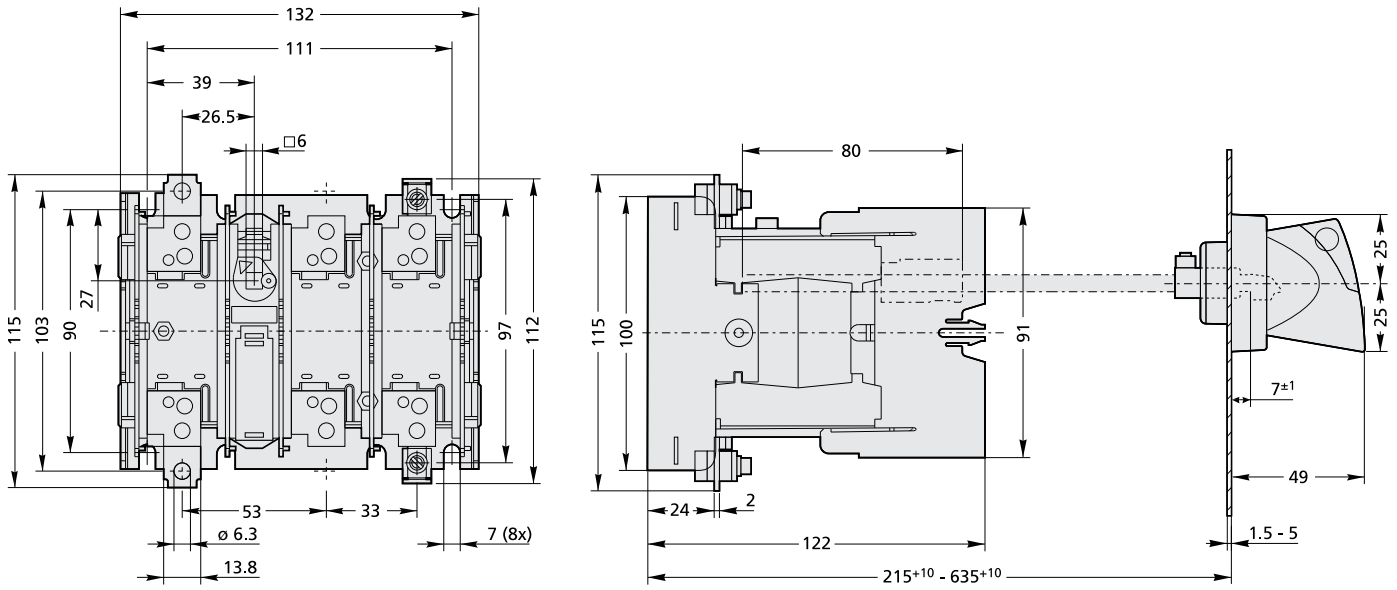


Type	A	B	C	D	E	F	G	H	I	J	K	L	M	N
QSA 400-3	40	20	270	M12	6	23	87	87	60	173	205	320 ⁺¹⁰ - 620 ⁺¹⁰	200	240
QSA 630-3	40	20	270	M12	6	23	87	87	60	173	205	320 ⁺¹⁰ - 620 ⁺¹⁰	200	240

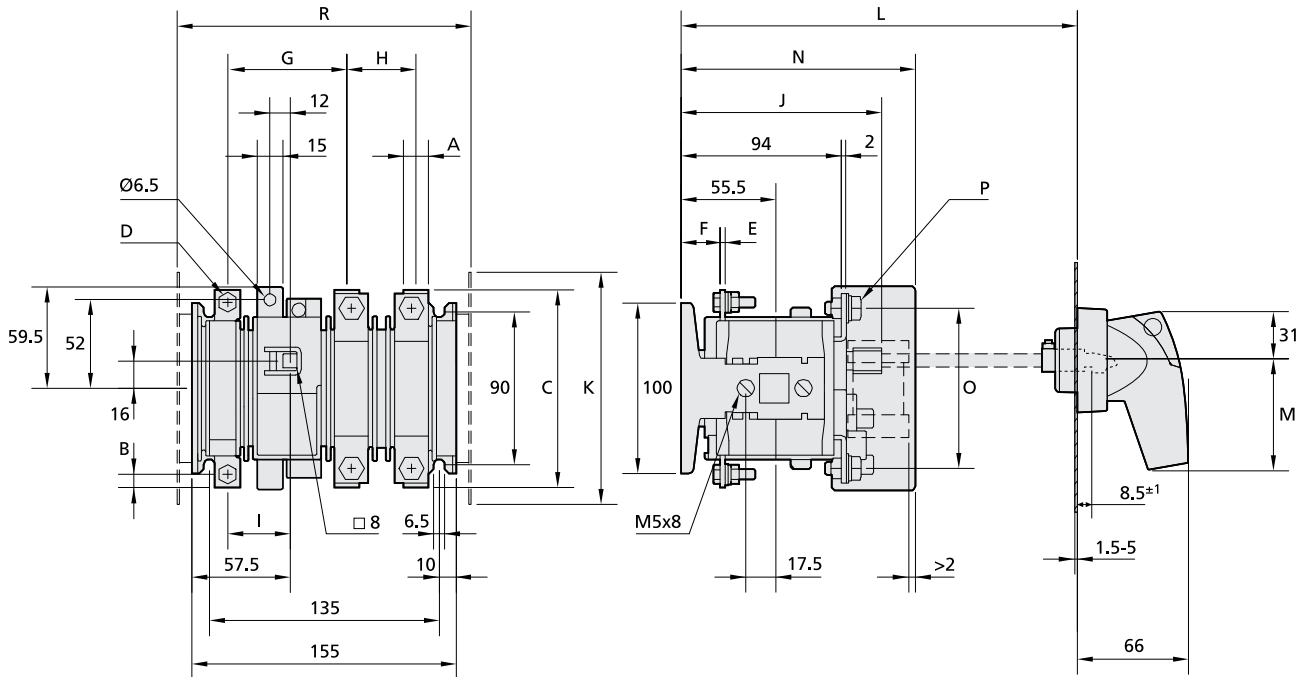
Switch-disconnectors fuses, 40 A to 800 A, 690 V a.c.

Outline drawings for QSA (Dimensions are in mm)

BS QSA 40 A and 63 A - Frame size 0



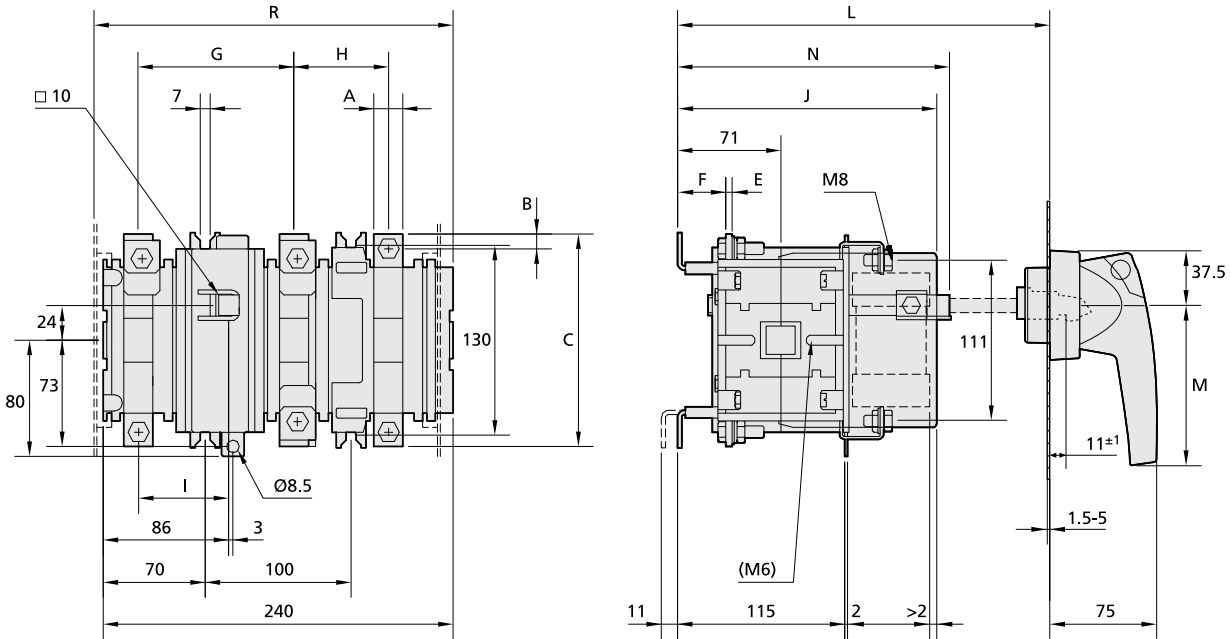
BS QSA 63 A to 160 A - Frame size 1



Type	A	B	C	D	E	F	G	H	I	J	K	L	M	N	O	P	R
QSA 63N1-A3	12	6	100	M5	2	24	72	38.5	38	118	95	200 ⁺¹⁰ - 620 ⁺¹⁰	62	155.5	73	M5	-
QSA 100N1-A4	15	7.5	116	M6	3	23	70	40.5	37	118	120	200 ⁺¹⁰ - 620 ⁺¹⁰	62	137.5	94	M8	-
QSA 125N1-B2	15	7.5	116	M6	3	23	70	40.5	37	118	150	200 ⁺¹⁰ - 620 ⁺¹⁰	62	137.5	112	M8	184
QSA 160N1-B2	20	10	127	M8	3	23	65	45.5	35	118	150	200 ⁺¹⁰ - 620 ⁺¹⁰	62	137.5	112	M8	184

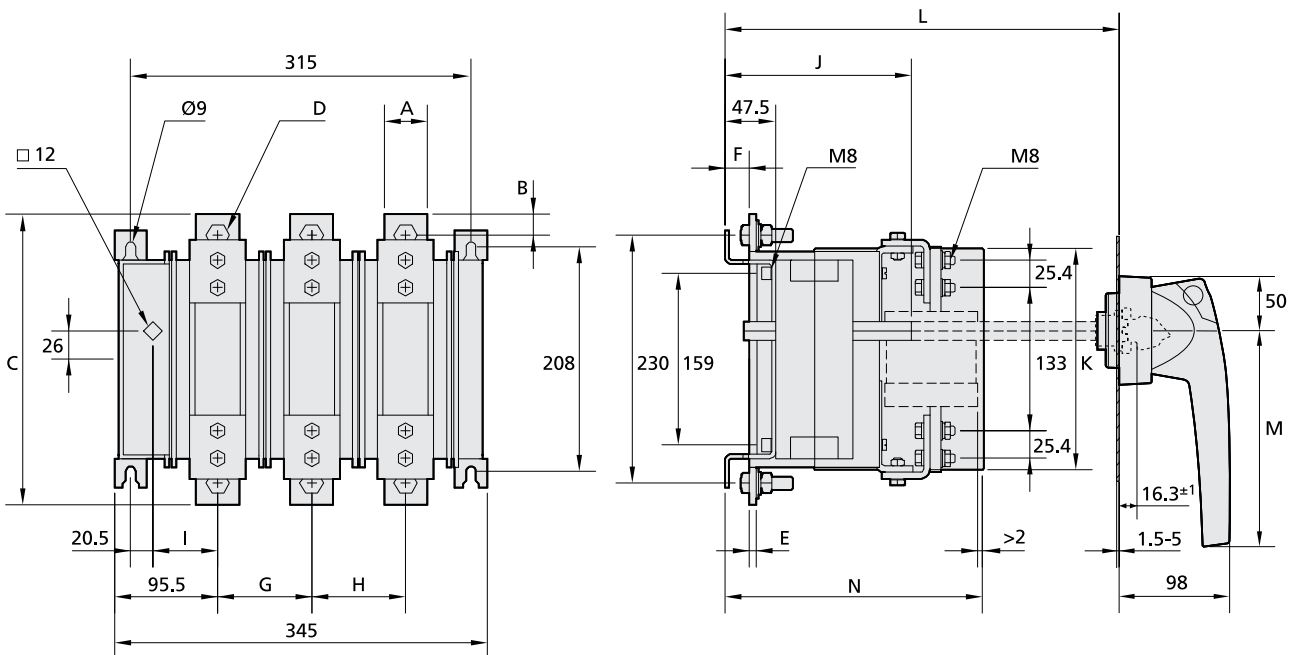
Outline drawings for QSA (Dimensions are in mm)

BS QSA 200 A to 400 A - Frame size 2



Type	A	B	C	D	E	F	G	H	I	J	K	L	M	N	R
QSA 200N-B2	20	10	146	M8	4	33	107	65	62	188	120	205 ⁺¹⁵ - 625 ⁺¹⁵	140	178	-
QSA 250N-B4	25	12.5	160	M10	4	29	107	65	59.5	188	160	205 ⁺¹⁵ - 625 ⁺¹⁵	140	198	246.5
QSA 315N-B4	25	12.5	160	M10	6	27	107	65	59.5	188	160	205 ⁺¹⁵ - 625 ⁺¹⁵	140	198	246.5
QSA 400N-B4	25	12.5	160	M10	6	27	107	65	59.5	188	160	205 ⁺¹⁵ - 625 ⁺¹⁵	140	198	246.5

BS QSA 400 A to 800 A - Frame size 3

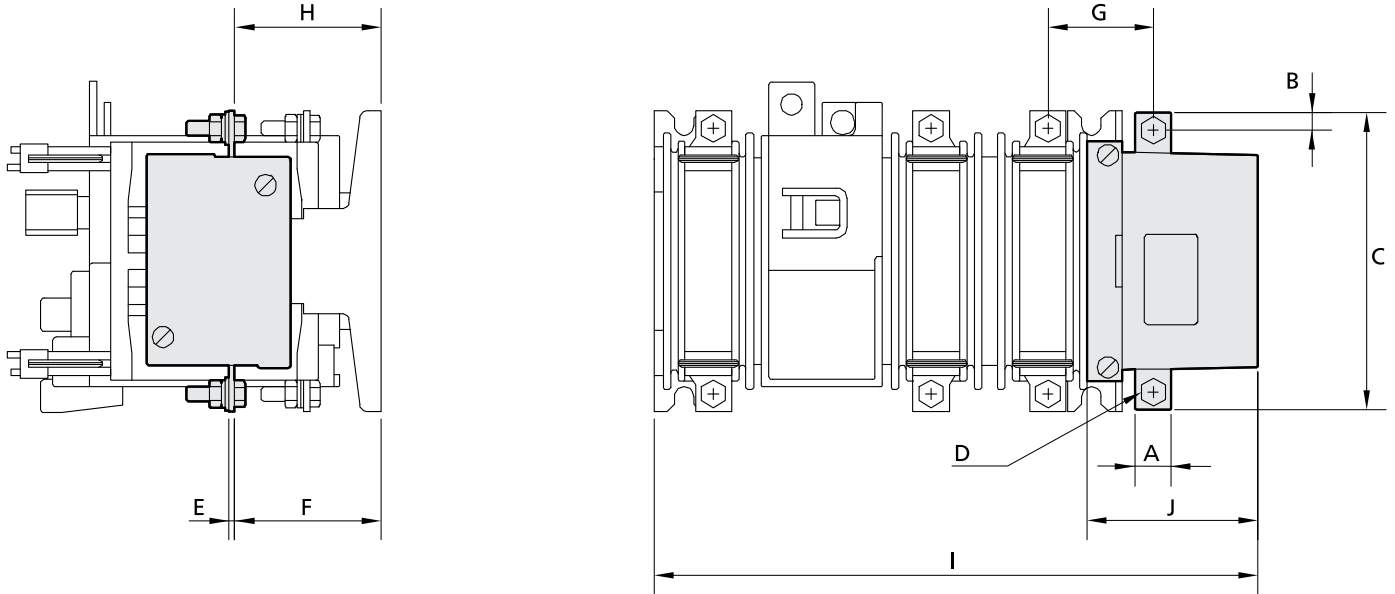


Type	A	B	C	D	E	F	G	H	I	J	K	L	M	N
QSA 400-C3/3	40	20	270	M12	6	23	87	87	60	173	205	320 ⁺¹⁰ - 620 ⁺¹⁰	200	240
QSA 630-C3/3	40	20	270	M12	6	23	87	87	60	173	205	320 ⁺¹⁰ - 620 ⁺¹⁰	200	240
QSA 800-C3/3	40	20	270	M12	6	23	87	87	60	173	205	320 ⁺¹⁰ - 620 ⁺¹⁰	200	240

Switch-disconnectors fuses, 40 A to 800 A, 690 V a.c.

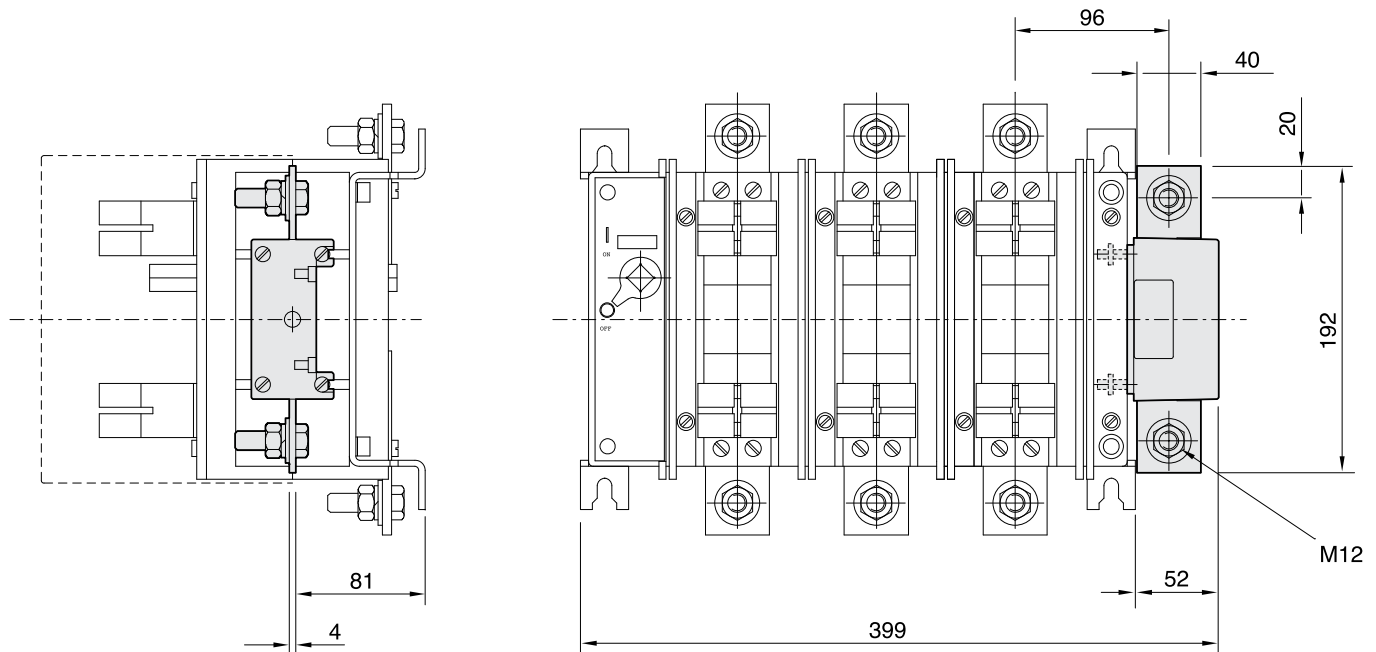
Outline drawings for QSA (Dimensions are in mm)

BS or DIN QSA 40 A to 400 A with switched neutral - Frames sizes 0 to 2



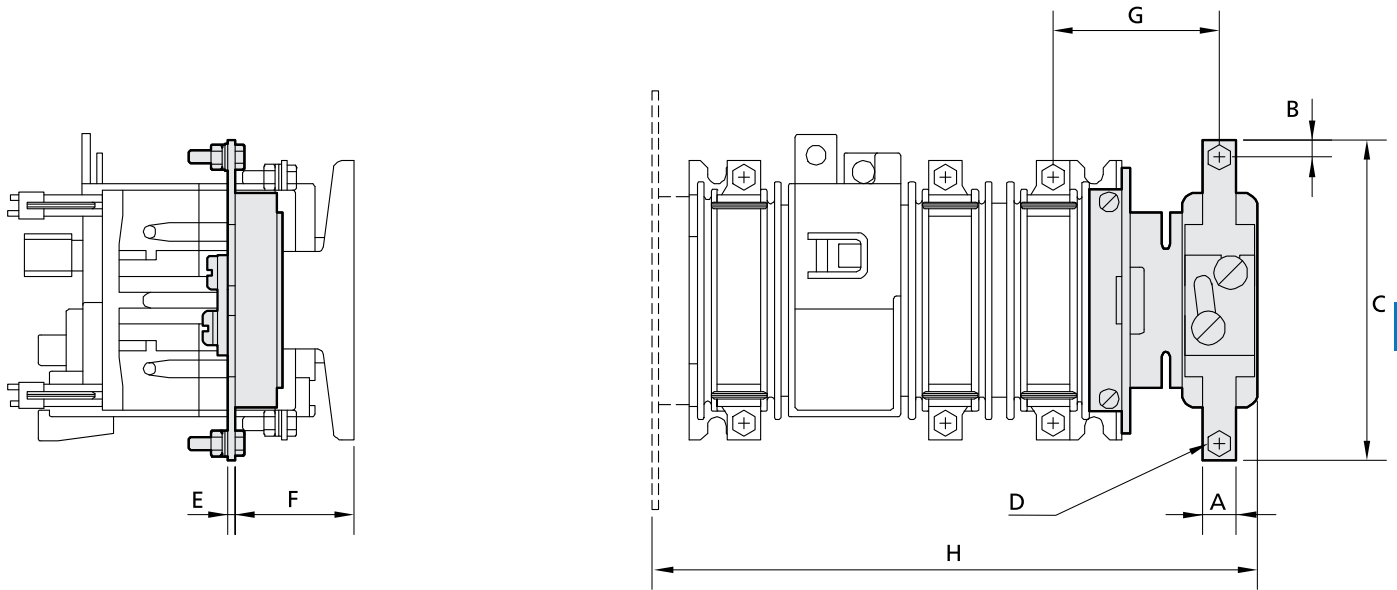
Type	Frame size	A	B	C	D	E	F	G	H	I	J
QSA 40N0/QSA63N0	0	12	6	99	M5	4.5	48	35	45.5	177	45
QSA 63N1	1	12	6	99	M5	2	48.5	36	48.5	200	45
QSA 100N1	1	15	7.5	105	M6	4.5	48.5	33.5	46	200	45
QSA 125N1	1	15	7.5	105	M6	4.5	48.5	33.5	46	200	45
QSA 160N1	1	20	10	115	M8	4.5	48.5	32	46	200	45
QSA 200N	2	20	10	146	M8	4	69	53	69	299	53
QSA 250N	2	25	12.5	160	M10	4	69	55.5	69	299	53
QSA 315N	2	25	12.5	160	M10	4	69	55.5	69	299	53
QSA 400N	2	25	12.5	160	M10	4	69	55.5	69	299	53

BS or DIN QSA 400 A to 800 A with switched neutral - Frames size 3



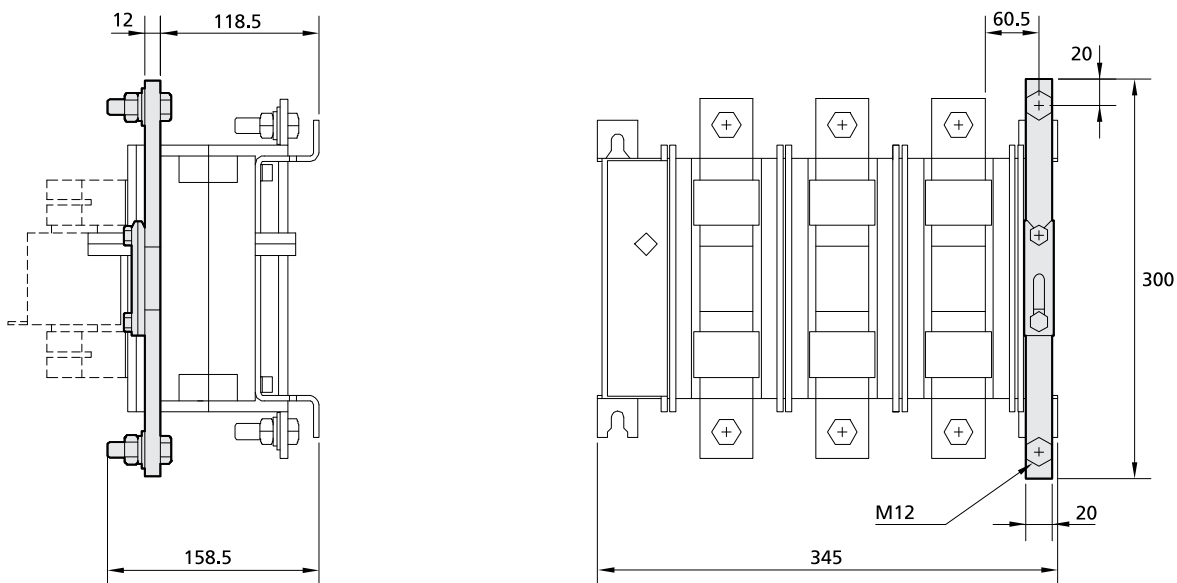
Outline drawings for QSA (Dimensions are in mm)

BS or DIN QSA 40 A to 400 A with solid neutral - Frames sizes 0 to 2



Type	Frame size	A	B	C	D	E	F	G	H
QSA 40N0/QSA63N0	0	12	6	114	M5	2.5	44	55	177
QSA 63N1	1	12	6	114	M5	2.5	41.5	57	203
QSA 100N1	1	15	7.5	116.5	M6	3	41.5	56	203
QSA 125N1	1	15	7.5	116.5	M6	3	41.5	56	216
QSA 160N1	1	20	10	127	M8	3	41.5	54	216
QSA 200N	2	20	10	146	M8	4	70	79	296.5
QSA 250N	2	25	12.5	160	M10	4	70	76.5	296.5
QSA 315N	2	25	12.5	160	M10	4	70	76.5	296.5
QSA 400N	2	25	12.5	160	M10	4	70	76.5	296.5

BS or DIN QSA 400 A to 800 A with solid neutral - Frames size 3



Type	A	B	C	D	E	F	G	H	I
QSA 40N0/QSA63N0	20	20	300	M12	12	118.5	60.5	158.5	345
QSA 63N1	20	20	300	M12	12	118.5	60.5	158.5	345
QSA 100N1	20	20	300	M12	12	118.5	60.5	158.5	345

Switch-disconnectors fuses, 40 A to 800 A, 690 V a.c.

Compatible Eaton's Bussmann series Fuse links

NH Fuse links suitable for QSA DIN switch-disconnector fuses

500 V a.c. NH with metal gripping lugs, 2 to 1250 A, sizes 000 to 4, IEC 60269 and DIN 43620



QSA DIN Article number	Compatible NH Fuse links					
	Part number	Size	Rated current (Amps)	Rated voltage	Pack qty	MOQ
1318027, 1318030, 1318033 1320201, 1320203, 1320205, 1320207, and 13138546	2NHG000B	000	2	500 V a.c.	3	3
	4NHG000B	000	4	500 V a.c.	3	3
	6NHG000B	000	6	500 V a.c.	3	3
	10NHG000B	000	10	500 V a.c.	3	3
	16NHG000B	000	16	500 V a.c.	3	3
	20NHG000B	000	20	500 V a.c.	3	3
	25NHG000B	000	25	500 V a.c.	3	3
	32NHG000B	000	32	500 V a.c.	3	3
	35NHG000B	000	35	500 V a.c.	3	3
	40NHG000B	000	40	500 V a.c.	3	3
1318027, 1318030, 1318033, 1320203, 1320207, and 13138546	50NHG000B	000	50	500 V a.c.	3	3
	63NHG000B	000	63	500 V a.c.	3	3
1318030, 1318033 and 1318546	80NHG000B	000	80	500 V a.c.	3	3
	100NHG000B	000	100	500 V a.c.	3	3
1318027, 1318030, 1318033 1320203, 1320207, and 13138546	50NHG00B	00	50	500 V a.c.	3	3
	63NHG00B	00	63	500 V a.c.	3	3
1318546	80NHG00B	00	80	500 V a.c.	3	3
	100NHG00B	00	100	500 V a.c.	3	3
1318030	125NHG00B	00	125	500 V a.c.	3	3
1318033	160NHG00B	00	160	500 V a.c.	3	3
1318526, 1318533, 1318547 and 1318548	50NHG1B	1	50	500 V a.c.	3	3
	63NHG1B	1	63	500 V a.c.	3	3
	80NHG1B	1	80	500 V a.c.	3	3
	100NHG1B	1	100	500 V a.c.	3	3
	125NHG1B	1	125	500 V a.c.	3	3
	160NHG1B	1	160	500 V a.c.	3	3
1318526, 1318533 and 1318548	200NHG1B	1	200	500 V a.c.	3	3
	224NHG1B	1	224	500 V a.c.	3	3
1318533 and 1318548	250NHG1B	1	250	500 V a.c.	3	3
	315NHG1B	1	315	440 V a.c.	3	3
1318533	355NHG1B	1	355	440 V a.c.	3	3
1318526, 1318533 and 1318548	250NHG2B	2	250	500 V a.c.	3	3
	300NHG2B	2	300	500 V a.c.	3	3
1318533 and 1318548	315NHG2B	2	315	500 V a.c.	3	3
	355NHG2B	2	355	500 V a.c.	3	3
1318533	400NHG2B	2	400	500 V a.c.	3	3
1318542 and 1318543 and 1318549	315NHG3B	3	315	500 V a.c.	3	3
	355NHG3B	3	355	500 V a.c.	3	3
	400NHG3B	3	400	500 V a.c.	3	3
1318542, 1318543	425NHG3B	3	425	500 V a.c.	3	3
	450NHG3B	3	450	500 V a.c.	3	3
	500NHG3B	3	500	500 V a.c.	3	3
	630NHG3B	3	630	500 V a.c.	3	3
1318543	800NHG3B	3	800	440 V a.c.	3	3

Compatible Eaton's Bussmann series Fuse links

NH Fuse links suitable for QSA DIN switch-disconnector fuses

500 V a.c. NH with insulated metal gripping lugs, 2 to 500 A, sizes 000 to 2, IEC 60269 and DIN 43620



QSA DIN	Compatible NH Fuse links					
Article number	Part number	Size	Rated current (Amps)	Rated voltage	Pack qty	MOQ
1318027, 1318030, 1318033, 1318201, 1318203, 1318205, 1318207 and 1318546	2NHG000BI	000	2	500 V a.c.	3	3
	4NHG000BI	000	4	500 V a.c.	3	3
	6NHG000BI	000	6	500 V a.c.	3	3
	10NHG000BI	000	10	500 V a.c.	3	3
	16NHG000BI	000	16	500 V a.c.	3	3
	20NHG000BI	000	20	500 V a.c.	3	3
	25NHG000BI	000	25	500 V a.c.	3	3
	32NHG000BI	000	32	500 V a.c.	3	3
	35NHG000BI	000	35	500 V a.c.	3	3
	40NHG000BI	000	40	500 V a.c.	3	3
1318027, 1318030, 1318033, 1318203, 1318207 and 1318546	50NHG000BI	000	50	500 V a.c.	3	3
	63NHG000BI	000	63	500 V a.c.	3	3
1318030, 1318033, 1318203, and 1318546	80NHG000BI	000	80	500 V a.c.	3	3
	100NHG000BI	000	100	500 V a.c.	3	3
1318030 and 1318033	125NHG00BI	00	125	500 V a.c.	3	3
1318033	160NHG00BI	00	160	500 V a.c.	3	3
1318526, 1318533, 1318547 and 1318548	50NHG1BI	1	50	500 V a.c.	3	3
	63NHG1BI	1	63	500 V a.c.	3	3
	80NHG1BI	1	80	500 V a.c.	3	3
	100NHG1BI	1	100	500 V a.c.	3	3
	125NHG1BI	1	125	500 V a.c.	3	3
	160NHG1BI	1	160	500 V a.c.	3	3
1318526, 1318533 and 1318548	200NHG1BI	1	200	500 V a.c.	3	3
	224NHG1BI	1	224	500 V a.c.	3	3
1318526, 1318533 and 1318548	250NHG1BI	1	250	500 V a.c.	3	3
	250NHG2BI	2	250	500 V a.c.	3	3
1318533 and 1318548	300NHG2BI	2	300	500 V a.c.	3	3
	315NHG2BI	2	315	500 V a.c.	3	3
1318533	355NHG2BI	2	355	500 V a.c.	3	3
	400NHG2BI	2	400	500 V a.c.	3	3

Switch-disconnectors fuses, 40 A to 800 A, 690 V a.c.

Compatible Eaton's Bussmann series Fuse links

British Standard fuse links suitable for QSA BS switch-disconnector fuses

BAO, 35 to 63 A, 500 V a.c. (gG and gM)



QSA BS Switch-Disconnectors Article number	Fuse links Part number	BS Ref	Rated current (Amps)	Rated voltage	Fixing centres	Pack qty	MOQ
1318011, 1320200, 1320202, 1320204 and 1320206	BAO35	A3	35	500 V a.c.	73.5 mm	10	10
	BAO40	A3	40	500 V a.c.	73.5 mm	10	10
1318011, 1320202 and 1320206	BAO50	A3	50	500 V a.c.	73.5 mm	10	10
	BAO63	A3	63	500 V a.c.	73.5 mm	10	10
	BAO63M80	A3	63M80	500 V a.c.	73.5 mm	10	10
	BAO63M100	A3	63M100	500 V a.c.	73.5 mm	10	10

Data sheet 4112

TIS, 35 to 63 A, 660-690 V a.c. and 460 V d.c. (gG and gM)



QSA BS Switch-Disconnectors Article number	Fuse links Part number	BS Ref	Rated current (Amps)	Rated voltage	Fixing centres	Pack qty	MOQ
1318011, 1320200, 1320202, 1320204 and 1320206	TIS35	A3	35	660-690 V a.c. / 460 V d.c.	73 mm	10	10
	TIS40	A3	40	660-690 V a.c. / 460 V d.c.	73 mm	10	10
1318011, 1320202 and 1320206	TIS50	A3	50	660-690 V a.c. / 460 V d.c.	73 mm	10	10
	TIS63	A3	63	660-690 V a.c. / 460 V d.c.	73 mm	10	10
	TIS63M80	A3	63M80	660-690 V a.c. / 460 V d.c.	73 mm	10	10
	TIS63M100	A3	63M100	660-690 V a.c. / 460 V d.c.	73 mm	10	10

Data sheet 10020

CEO, 32 to 100 A, 500 V a.c. (gG) and 415 V a.c.(gM)



QSA BS Switch-Disconnectors Article number	Fuse links Part number	BS Ref	Rated current (Amps)	Rated voltage	Fixing centres	Pack qty	MOQ
1318016	CEO32	A4	32	500 V a.c.	94 mm	10	10
	CEO40	A4	40	500 V a.c.	94 mm	10	10
	CEO50	A4	50	500 V a.c.	94 mm	10	10
	CEO63	A4	63	500 V a.c.	94 mm	10	10
	CEO80	A4	80	500 V a.c.	94 mm	10	10
	CEO100	A4	100	500 V a.c.	94 mm	10	10
	CEO100M125	A4	100M125	415 V a.c.	94 mm	10	10
	CEO100M160	A4	100M160	415 V a.c.	94 mm	10	10
	CEO100M200	A4	100M200	415 V a.c.	94 mm	10	10

Data sheet 4115

TCP, 32 to 100 A, 660-690 V a.c. and 350-460 V d.c. (gG); 660-690 V a.c. and 350 V d.c. (gM)



QSA BS Switch-Disconnectors Article number	Fuse links Part number	BS Ref	Rated current (Amps)	Rated voltage	Fixing centres	Pack qty	MOQ
1318020	TCP32	A4	32	660-690 V a.c. / 460 V d.c.	93.7 mm	10	10
	TCP40	A4	40	660-690 V a.c. / 460 V d.c.	93.7 mm	10	10
	TCP50	A4	50	660-690 V a.c. / 460 V d.c.	93.7 mm	10	10
	TCP63	A4	63	660-690 V a.c. / 460 V d.c.	93.7 mm	10	10
	TCP80	A4	80	660-690 V a.c. / 350 V d.c.	93.7 mm	10	10
	TCP100	A4	100	660-690 V a.c. / 350 V d.c.	93.7 mm	10	10
	TCP100M125	A4	100M125	660-690 V a.c. / 350 V d.c.	93.7 mm	10	10
	TCP100M160	A4	100M160	660-690 V a.c. / 350 V d.c.	93.7 mm	10	10
	TCP100M200	A4	100M200	660-690 V a.c. / 350 V d.c.	93.7 mm	10	10

Data sheet 10020

Compatible Eaton's Bussmann series Fuse links

British Standard fuse links suitable for QSA BS switch-disconnector fuses

CD, 80 and 100 A, 500 V a.c. (gG) and 415 V a.c. (gM)



QSA BS Switch-Disconnectors Article number	Fuse links Part number	BS Ref	Rated current (Amps)	Rated voltage	Fixing centres	Pack qty	MOQ
1318020, 1318023, 1319065, 1319074, 1319095 and 1319103	CD80	B1	80	500 V a.c.	111 mm	10	10
	CD100	B1	100	500 V a.c.	111 mm	10	10
	CD100M125	B1	100M125	415 V a.c.	111 mm	10	10
	CD100M160	B1	100M160	415 V a.c.	111 mm	10	10
	CD100M200	B1	100M200	415 V a.c.	111 mm	10	10

Data sheet 4116

TC, 80 and 100 A, 660-690 V a.c. and 350 V d.c. (gG and gM)



QSA BS Switch-Disconnectors Article number	Fuse links Part number	BS Ref	Rated current (Amps)	Rated voltage	Fixing centres	Pack qty	MOQ
1318020, 1318023, 1319065, 1319074, 1319095 and 1319103	TC80	B1	80	660-690 V a.c. / 350 V d.c.	111 mm	10	10
	TC100	B1	100	660-690 V a.c. / 350 V d.c.	111 mm	10	10
	TC100M125	B1	100M125	660-690 V a.c. / 350 V d.c.	111 mm	10	10
	TC100M160	B1	100M160	660-690 V a.c. / 350 V d.c.	111 mm	10	10
	TC100M200	B1	100M200	660-690 V a.c. / 350 V d.c.	111 mm	10	10

Data sheet 10078

DD, 125 to 200 A, 415 V a.c. (gG and gM)



QSA BS Switch-Disconnectors Article number	Fuse links Part number	BS Ref	Rated current (Amps)	Rated voltage	Fixing centres	Pack qty	MOQ
1318020, 1318023, 1319065, 1319074, 1319095 and 1319103	DD125	B2	125	415 V a.c.	111 mm	5	5
	DD160	B2	160	415 V a.c.	111 mm	5	5
	DD200	B2	200	415 V a.c.	111 mm	5	5
	DD200M250	B2	200M250	415 V a.c.	111 mm	5	5
	DD200M315	B2	200M315	415 V a.c.	111 mm	5	5

Data sheet 4118

TF, 125 to 200 A, 660-690 V a.c. and 350 V d.c. (gG); 550-660-690 V a.c. and 460 V d.c. (gM)



QSA BS Switch-Disconnectors Article number	Fuse links Part number	BS Ref	Rated current (Amps)	Rated voltage	Fixing centres	Pack qty	MOQ
1318020, 1318023, 1319065, 1319074, 1319095 and 1319103	TF125	B2	125	660-690 V a.c., 350 V d.c.	111 mm	10	10
	TF160	B2	160	660-690 V a.c., 350 V d.c.	111 mm	10	10
	TF200	B2	200	660-690 V a.c., 350 V d.c.	111 mm	10	10
	TF200M250	B2	200M250	660-690 V a.c., 460 V d.c.	111 mm	10	10
	TF200M315	B2	200M315	550 V a.c.	111 mm	10	10

Data sheet 10078

ED, 250 to 400 A, 415 V a.c. (gG and gM)



QSA BS Switch-Disconnectors Article number	Fuse links Part number	BS Ref	Rated current (Amps)	Rated voltage	Fixing centres	Pack qty	MOQ
1319065, 1319074, 1319095 and 1319103	ED250	B3/B4	250	415 V a.c.	111 mm	1	1
	ED315	B3/B4	315	415 V a.c.	111 mm	1	1
	ED355	B3/B4	355	415 V a.c.	111 mm	1	1
	ED400	B3/B4	400	415 V a.c.	111 mm	1	1
	ED315M400	B3/B4	315M400	415 V a.c.	111 mm	1	1
	ED400M500	B3/B4	400M500	415 V a.c.	111 mm	1	1

Data sheet 4119

Switch-disconnectors fuses, 40 A to 800 A, 690 V a.c.

Compatible Eaton's Bussmann series Fuse links

British Standard fuse links suitable for QSA BS switch-disconnector fuses

TKF, 250 and 315 A, 660-690 V a.c. and 460 V d.c. (gG and gM)



QSA BS Switch-Disconnectors Article number	Fuse links Part number	BS Ref	Rated current (Amps)	Rated voltage	Fixing centres	Pack qty	MOQ
1319065, 1319074, 1319095 and 1319103	TKF250	B3	250	660-690 V a.c./ 460 V d.c.	111 mm	5	5
	TKF315	B3	315	660-690 V a.c./ 460 V d.c.	111 mm	5	5
	TKF315M355	B3	315M355	660-690 V a.c./ 460 V d.c.	111 mm	5	5

Data sheet 10078

7 TMF, 355 and 400 A, 660-690 V a.c. and 460 V d.c. (gG and gM)



QSA BS Switch-Disconnectors Article number	Fuse links Part number	BS Ref	Rated current (Amps)	Rated voltage	Fixing centres	Pack qty	MOQ
1319065, 1319074, 1319095 and 1319103	TMF355	B4	355	660-690 V a.c. / 460 V d.c.	111 mm	1	1
	TMF400	B4	400	660-690 V a.c. / 460 V d.c.	111 mm	1	1
	TMF400M450	B4	400M450	660-690 V a.c. / 460 V d.c.	111 mm	1	1

Data sheet 10078

EF, 355 and 400 A, 415 V a.c. (gG) and 550 V a.c. (gM)



QSA BS Switch-Disconnectors Article number	Fuse links Part number	BS Ref	Rated current (Amps)	Rated voltage	Fixing centres	Pack qty	MOQ
1318537, 1318544 and 1319175	EF355	C1	355	415 V a.c.	184 mm	1	1
	EF400	C1	400	415 V a.c.	184 mm	1	1
	EF400M500	C1	400M500	550 V a.c.	184 mm	1	1

Data sheet 4120

FF, 450 to 630 A, 690 V a.c. and 400 V d.c. (gG)



QSA BS Switch-Disconnectors Article number	Fuse links Part number	Rated current (Amps)	Rated voltage	Fixing centres	Pack qty	MOQ
1318537, 1318544 and 1319175	FF450	450	690 V a.c./400V d.c.	185 mm	1	1
	FF500	500	690 V a.c./400V d.c.	185 mm	1	1
	FF560	560	690 V a.c./400V d.c.	185 mm	1	1
	FF630	630	690 V a.c./400V d.c.	185 mm	1	1

Data sheet 4102

TTM, 450 to 630 A, 660-690 V a.c. and 450 V d.c. (gG and gM)

QSA BS Switch-Disconnectors Article number	Fuse links Part number	Rated current (Amps)	Rated voltage	Fixing centres	Pack qty	MOQ
1318537, 1318544 and 1319175	TTM450	450	660-690 V a.c. / 450 V d.c.	133 mm	1	1
	TTM500	500	660-690 V a.c. / 450 V d.c.	133 mm	1	1
	TTM560	560	660-690 V a.c. / 450 V d.c.	133 mm	1	1
	TTM630	630	660-690 V a.c. / 450 V d.c.	133 mm	1	1
	TTM630M670	630M670	660-690 V a.c. / 450 V d.c.	133 mm	1	1

Data sheet 10078

GF, 710 and 800 A, 550 V a.c. and 250 V d.c. (gG)

QSA BS Switch-Disconnectors Article number	Fuse links Part number	BS Ref	Rated current (Amps)	Rated voltage	Fixing centres	Pack qty	MOQ
1318537, 1318544 and 1319175	GF710	C3	710	550 V a.c./ 250V d.c.	185 mm	1	1
	GF800	C3	800	550 V a.c./ 250V d.c.	185 mm	1	1

Data sheet 4103



Worldwide export of machines and plants

European machine and system building and worldwide exports are closely related. Even if you don't export your machines at present, you should be prepared for it in the future. Eaton provides switchgear and protective devices with all the essential approvals and certificates for machine and system building. In most countries around the world, conformity with international standards is the sole requirement for successful exports. This is because components in these locations are governed by compliance with well known and established IEC standards. In this respect, the European CE mark is not only the passport for exports within Europe but also far beyond its borders.



World market equipment for machine building

Nearly all the switchgear and protective devices of Eaton's Moeller series are world market devices. Each product line thus carries all the approvals and certification marks required for worldwide use.

These product lines include those for

- Pilot devices, limit switches
- Contactors and various timing and special relays
- Motor-protective circuit breakers and relays
- Electronic components and systems.

With circuit breakers and switch-disconnectors, Eaton offers IEC devices for use in most countries in the world and NA devices with virtually the same dimensions and the same accessories for the North American market. This considerably simplifies device selection since the North American standards often involve the need for considerably different technical specifications.

Pasco Switch-disconnector fuses, 25 A, 35 A and 50 A, 400 V a.c.



Description

The Pasco Switch-disconnector fuses provide the ultimate safety in electrical protection for equipment and personnel. The 'D' Type low voltage fuse links fitted in the Pasco unit protect the equipment against overcurrents and the switch enables safe disconnection.

Standards/Approvals

- IEC 60947-3
- KEMA-KEUR

Technical data

- Voltage: 400 V ac.
- Current: 25 A, 35 A and 50 A
- 1-pole, 2-pole, 3-poles

Recommended fuse links

Eaton's Bussmann series D Type fuse links

Features

- Enclosure made of non-tracking synthetic material
- Suitable for horizontal DIN-Rail mounting
- Fuse-base contact is not live once the 'D' Type fuse link has been removed
- Semi-independent manual operating mechanism
- Terminals protected against accidental touch
- Fuse rating guide plate included
- Blown fuse LED indicator light
- Utilisation category: AC-21 A and AC-22 B

Switch-disconnectors fuses, 25 A, 35 A and 50 A, 400 V a.c.

Pasco Switch-disconnector fuses and Paco fuse holder, 25 A, 35 A and 50 A, 400 V a.c.

Pasco and Paco range overview

	Voltage (V a.c.)	25 A	35 A	50 A
Pasco Switch-disconnector fuses	230/400	✓	✓	✓
Paco fuse holder	230	✓		✓

Pasco Switch-disconnector fuses - Type LPC - 25 A , 35 A and 50 A, 230 and 400 V a.c.



Current (A)	Voltage (V a.c.)	Number of poles	Width (mm)	Part number	Article number	Pack qty	Compatible Eaton's Bussmann series D Type fuse links
25	230	1P + Neutral	36	LPC25-16AFUSE	1713610	1	16A fuse already included with unit
25	230	1P + Neutral	36	LPC25	1713612	1	DII fuse links
50	230	1P + Neutral	36	LPC50	1713613	1	DIII fuse links
25	230	2P + 2 Neutral	72	LPC25/2	1713616	1	DII fuse links
25	400	3P + Neutral	108	LPC25/3	1713617	1	DII fuse links
35	400	3P + Neutral	108	LPC35/3	1713618	1	DIII fuse links

Paco fuse holder - Type PHM - 25 A and 50 A, 230 V a.c.



Current (A)	Voltage (V a.c.)	Number of poles	Width (mm)	Part number	Article number	Pack qty	Compatible Eaton's Bussmann series D Type fuse links
25	230	1P	36	PHM25-16AFUSE	1713611	1	16A fuse already included with unit
25	230	1P	36	PHM25	1713614	1	DII fuse links
50	230	1P	36	PHM50	1713615	1	DIII fuse links

1713614

See compatible Eaton's Bussmann series 'D' Type fuse links page 84

Accessories for Pasco and Paco

Fuse rating guide plate



1713622

Current (A)	Fuse link size	Colour	Part number	Article number	Pack qty
6	0	Green	LPC6-ADAPTER	1713622	10
10	0	Red	LPC10-ADAPTER	1713623	10
16	1	Grey	LPC16-ADAPTER	1713624	10
20	1	Blue	LPC20-ADAPTER	1713625	10
25	1	Yellow	LPC25-ADAPTER	1713626	10
35	1	Black	LPC35-ADAPTER	1713627	10
50	2	White	LPC50-ADAPTER	1713628	10

Tool for inserting fuse rating guide plate



1713629

Part number	Article number	Pack qty
LPC-ADAPTERKEY	1713629	1

Switch-disconnectors fuses, 25 A, 35 A and 50 A, 400 V a.c.

Accessories for Pasco and Paco

Dummy fuse insert for maintenance work



1713607

Part number	Article number	Pack qty
LPC-PHM-DUMMY	1713607	1

Compatible Eaton's Bussmann series Fuse links

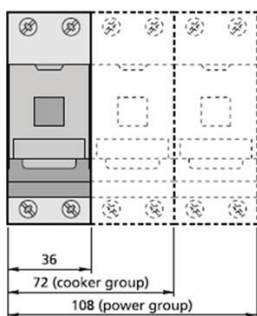
'D' Type low voltage fuse links suitable for Pasco Switch-disconnector fuses

8

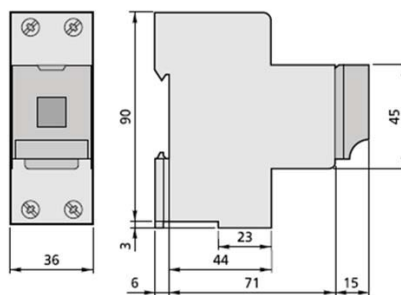


Pasco/Paco	Compatible 'D' Type Fuse links						
	Article number	Part number	Size	Type	Current (Amps)	Voltage (V a.c.)	Pack qty
Pasco LPC25 : 1713612, 1713616 and 1713617		6D27	DII	Time-delay	6	500	25
		10D27	DII	Time-delay	10	500	25
		16D27	DII	Time-delay	16	500	25
		20D27	DII	Time-delay	20	500	25
		25D27	DII	Time-delay	25	500	25
		6D27Q	DII	Fast acting	6	500	25
		10D27Q	DII	Fast acting	10	500	25
		16D27Q	DII	Fast acting	16	500	25
		20D27Q	DII	Fast acting	20	500	25
		25D27Q	DII	Fast acting	25	500	25
		6D27R	DII	Ultra rapid	6	500	25
		10D27R	DII	Ultra rapid	10	500	25
		16D27R	DII	Ultra rapid	16	500	25
		20D27R	DII	Ultra rapid	20	500	25
		25D27R	DII	Ultra rapid	25	500	25
Pasco LPC35 1713618		35D33	DIII	Time-delay	35	500	25
		35D33Q	DIII	Fast acting	35	500	25
		35D33R	DIII	Ultra rapid	35	500	25
Pasco LPC50 1713613		35D33	DIII	Time-delay	35	500	25
		40D33	DIII	Time-delay	40	500	25
		50D33	DIII	Time-delay	50	500	25
		35D33Q	DIII	Fast acting	35	500	25
		40D33Q	DIII	Fast acting	40	500	25
Paco PHM25: 1713614		25D27Q	DII	Fast acting	25	500	25
		25D27R	DII	Ultra rapid	25	500	25
		35D33R	DIII	Ultra rapid	35	500	25
		40D33R	DIII	Ultra rapid	40	500	25
Paco PHM50: 1713615		50D33Q	DIII	Fast acting	50	500	25
		50D33R	DIII	Ultra rapid	50	500	25
		50D33R	DIII	Ultra rapid	50	500	25

Outline drawings for Pasco and Paco (Dimensions are in mm)



Pasco, Type LPC



Paco, Type HPM

Technical data for Pasco and Paco

		Pasco LPC25	Pasco LPC35/50	Paco PHM25	Paco PHM50
Conventional free air thermal current	I_{th}	25 A	50 A 1P+N, 35 A 3P+N	25 A	50 A
Conventional enclosed thermal current	I_{the} 35°C	25 A	50 A 1P+N, 35 A 3P+N	25 A	50 A
Rated uninterrupted current	I_u	25 A	50 A 1P+N, 35 A 3P+N	25 A	50 A
Rated operational voltage	U_e	230 V LPC25 230 V LPC25/2 400 V LPC25/3	230 V LPC50 400 V LPC35/3	230 V	230 V
Rated insulation voltage	U_i	400 V	400 V	230 V	230 V
Rated impulse withstand voltage	U_{imp}	6 kV	6 kV	6 kV	6 kV
Rated frequency		50 / 60 Hz	50 / 60 Hz	50 / 60 Hz	50 / 60 Hz
Storage temperature		-25...+80°C	-25...+80°C	-25...+80°C	-25...+80°C
Max altitude (without derating)		2000 m	2000 m	2000 m	2000 m
Rated operational current					
AC-21A					
At $U_e = 230$ V AC-21A	I_e	25 A	50 A LPC50 35 A LPC35/3	-	-
AC-22A					
At $U_e = 230$ V AC-22A	I_e	25 A LPC25, LPC25/2	50 A LPC50	-	-
At $U_e = 400$ V AC-22A	I_e	50 A LPC25/3	35 A LPC35/3	-	-
AC-21B					
At $U_e = 230$ V AC-21B	I_e	-	-	25 A	50 A
AC-22B					
At $U_e = 400$ V AC-22B	I_e	-	35 A 3P+N	-	-
Rated conditional short-circuit current	I_{cc}	50 kA	35 kA	50 kA	35 kA
Cut-off current	max.	4.8 kA	6.7 kA	4.8 kA	6.7 kA
Joule integral	max.	4 kA ² s	15 kA ² s	4 kA ² s	15 kA ² s
Fuse-link max	I_n	25 A	50 A LPC50 35 A LPC35/3	25 A	50 A
Fuse link Type		DII	DIII	DII	DIII
Power dissipation per pole at I_{th}		1.7 W	2.4 W (35 A), 3.1 W (50 A)	0.5 W	1.9 W
Maximum fuse watts loss		3 W	5 W (1P+N), 4.1 W (3P+N)	3 W	5 W
Durability - maximum cycles (on + off)		10.000	10.000	2.000	2.000
Protection class		IP20	IP20	IP20	IP20
Terminal capacities					
Cross section 1 cable					
Solid		1.5 - 6 mm ²	1.5 - 6 mm ²	1.5 - 6 mm ²	1.5 - 6 mm ²
Flexible		1.5 - 16 mm ²	1.5 - 16 mm ²	1.5 - 16 mm ²	1.5 - 16 mm ²
Cross section 2 cables					
Solid		1.5 - 4 mm ²	1.5 - 4 mm ²	1.5 - 4 mm ²	1.5 - 4 mm ²
Flexible		1.5 - 4 mm ²	1.5 - 4 mm ²	1.5 - 4 mm ²	1.5 - 4 mm ²
Tightening torque		2 Nm	2 Nm	2 Nm	2 Nm
Pollution degree		II/2	II/2	II/2	II/2
Standards		EN-IEC 60947-3			
Approvals		CE, KEMA-KEUR			

Dumeco DDC, 63 A to 1250 A, 1000 V d.c.

Description

The Dumeco DDC switch-disconnectors are specifically designed for applications such as residential, light commercial sites and DC battery storage.

Standards/Approvals

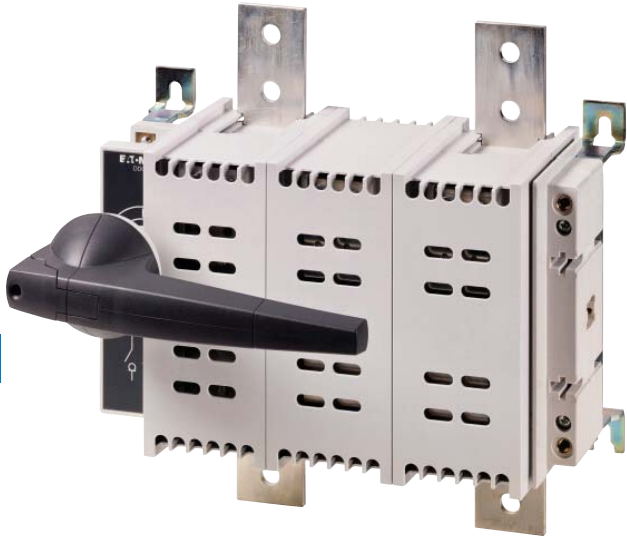
- IEC 60947-3
- CE
- RoHS
- CCC

Technical data

- Voltage: 1000 V d.c..
- Current: 63 A to 1250 A

Features

- Operator independent switch
- Specially designed self-cleaning roller contacts
- Bi-directional pole connection gives installation flexibility (non polarised)
- Suitable for rear/base plate mounting
- Operational shaft lengths up to 600 mm
- Protection degree up to IP65
- Door interlocking in OFF position by using D-Type handles
- Padlockable handles in OFF position, defeatable in ON position



Switch-disconnectors for DC applications, 63 A to 1250 A, 1000 V d.c.

Dumeco DDC, 63 A to 1250 A, 1000 V d.c.

DDC range overview

	63 A	80 A	100 A	125 A	160 A	200 A	250 A	400 A	630 A	800 A	1000 A	1250 A
Switch-disconnectors with pre-mounted grey handle	✓	✓	✓	✓	✓	✓	✓	✓	✓	✓	✓	✓
Switch-disconnectors without shaft and handle	✓	✓	✓	✓	✓	✓	✓	✓	✓	✓	✓	✓
Switch-disconnectors with 300 mm shaft and grey handle	✓	✓	✓	✓	✓	✓	✓	✓	✓	✓	✓	✓
Switch-disconnectors in Ci-K5 enclosure with red/yellow or grey handle	✓	✓	✓									

DDC with pre-mounted grey handle



6098920

Current rating	Number of poles	Frame size	Part number	Article number	Pack qty
63 A	2P	0	DDC-63/2	6098920	1
80 A	2P	0	DDC-80/2	6098923	1
100 A	2P	0	DDC-100/2	6098926	1
125 A	2P	1	DDC-125/2	6098930	1
160 A	2P	1	DDC-160/2	6098933	1
200 A	2P	1	DDC-200/2	6098936	1
250 A	2P	2	DDC-250/2	6098940	1
400 A	2P	2	DDC-400/2	6098943	1
630 A	2P	2	DDC-630/2	6098946	1
800 A	2P	3	DDC-800/2	6098950	1
1000 A	2P	3	DDC-1000/2	6098953	1
1250 A	2P	3	DDC-1250/2	6098956	1

DDC without shaft and handle



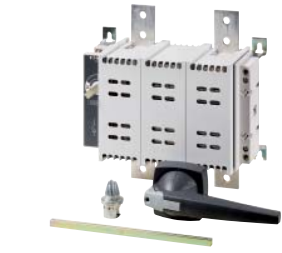
6098937

Current rating	Number of poles	Frame size	Part number	Article number	Pack qty
63 A	2P	0	DDC-63/2-SK	6098921	1
80 A	2P	0	DDC-80/2-SK	6098924	1
100 A	2P	0	DDC-100/2-SK	6098927	1
125 A	2P	1	DDC-125/2-SK	6098931	1
160 A	2P	1	DDC-160/2-SK	6098934	1
200 A	2P	1	DDC-200/2-SK	6098937	1
250 A	2P	2	DDC-250/2-SK	6098941	1
400 A	2P	2	DDC-400/2-SK	6098944	1
630 A	2P	2	DDC-630/2-SK	6098947	1
800 A	2P	3	DDC-800/2-SK	6098951	1
1000 A	2P	3	DDC-1000/2-SK	6098954	1
1250 A	2P	3	DDC-1250/2-SK	6098957	1

Switch-disconnectors for DC applications, 63 A to 1250 A, 1000 V d.c.

Dumeco DDC, 63 A to 1250 A, 1000 V d.c.

DDC with 300 mm shaft and D/P padlockable grey handle with interlock function



6098958

Current rating	Number of poles	Frame size	Part number	Article number	Pack qty
63 A	2P	0	DDC-63/2/M4/P-G	6098922	1
80 A	2P	0	DDC-80/2/M4/P-G	6098925	1
100 A	2P	0	DDC-100/2/M4/P-G	6098928	1
125 A	2P	1	DDC-125/2/M4/P-G	6098932	1
160 A	2P	1	DDC-160/2/M4/P-G	6098935	1
200 A	2P	1	DDC-200/2/M4/P-G	6098938	1
250 A	2P	2	DDC-250/2/M4/P-G	6098942	1
400 A	2P	2	DDC-400/2/M4/P-G	6098945	1
630 A	2P	2	DDC-630/2/M4/P-G	6098948	1
800 A	2P	3	DDC-800/2/M4/P-G	6098952	1
1000 A	2P	3	DDC-1000/2/M4/P-G	6098955	1
1250 A	2P	3	DDC-1250/2/M4/P-G	6098958	1

9

DDC in Ci-K enclosure



184916

Current rating	Number of poles	Frame size	Handle colour	Part number	Article number	Pack qty
63 A	2P	0	Red/Yellow	DDC-63/2/15/P-R	184914	1
63 A	2P	0	Grey	DDC-63/2/15/P-G	184915	1
80 A	2P	0	Red/Yellow	DDC-80/2/15/P-R	184916	1
80 A	2P	0	Grey	DDC-80/2/15/P-G	184917	1
100 A	2P	0	Red/Yellow	DDC-100/2/15/P-R	184918	1
100 A	2P	0	Grey	DDC-100/2/15/P-G	184919	1

Switch-disconnectors for DC applications, 63 A to 1250 A, 1000 V d.c.

Handles and shafts for DDC Dumeco (Handles and shaft are to be ordered separately)

Handles mounting types overview

DDC Type	Frame size	K Type handles	A Type handles		D/P Type handles		D/C Type handles	
			Grey	Red	Grey	Red/ Yellow	Grey	Red/ Yellow
DDC without pre-mounted grey handle DDC-2/SK	0	K1	✓	✓	✓	✓		
	1	K2	✓	✓	✓	✓	✓	✓
	2	K3	✓	✓	✓	✓	✓	✓
	3	K4	✓	✓	✓	✓	✓	✓

A Type: Handle mounted directly on switch

D/P Type: Handle padlockable for mounting on hinged door, with interlock function

D/C Type: Handle with cylinder lock for mounting on hinged door, supplied with two keys, with interlock function

See handles dimensions pages 96 to 99

A Type handles

Mounted directly on switch suitable for Dumeco DDC-2/SK Type



K1 A handle
1818200



K2 A handle
1818006



K3 A handle
1818202



K4 A handle
1818010



Shafts

A Type handles Metal shafts

DDC	Frame size	Handle colours		Shaft mm□	Length of shafts		Pack qty
		Grey	Red		300 mm	600 mm	
DDC-63/2	0	K1AG 1818200	K1AR 1818002	6 x 6	4K6300MMK1/2S 1319831	4K6600MMK1/2S 1319832	1
DDC-80/2	0						
DDC-100/2	0						
DDC-125/2	1	K2AG 1818201	K2AR 1818006	8 x 8	4K8300MMK2 1319311	4K8600MMK2 1319301	1
DDC-160/2	1						
DDC-200/2	1						
DDC-250/2	2	K3AG 1818202	K3AR 1818111	10 x 10	4K10300MMK3 1319319	4K10600MMK3 1319322	1
DDC-400/2	2						
DDC-630/2	2						
DDC-800/2	3	K4AG 1818203	K4AR 1818010	12 x 12	4K12300MMK4 1319326	4K12600MMK4 1319329	1
DDC-1000/2	3						
DDC-1250/2	3						

Switch-disconnectors for DC applications, 63 A to 1250 A, 1000 V d.c.

Handles and shafts for DDC Dumeco (Handles and shaft are to be ordered separately)

D/P Type handles

Padlockable for mounting on hinged door, with interlock function, suitable for Dumeco DDC-2/SK Type



K1 D/P handle
1818031



K2 D/P handle
1818036



K3 D/P handle
1818069



K4 D/P handle
1818051



Shafts

D/P Type handles Metal shafts

DDC	Frame size	Handle colours		Shaft mm□	Length of shafts		Pack qty
		Grey	Red/ Yellow		300 mm	600 mm	
DDC-63/2	0			6 x 6	4K6300MMK1/2S 1319831	4K6600MMK1/2S 1319832	1
DDC-80/2	0	K1DG/P 1818031	K1DR/P 1818030				
DDC-100/2	0						
DDC-125/2	1			8 x 8	4K8300MMK2 1319311	4K8600MMK2 1319301	1
DDC-160/2	1	K2DG/P 1818037	K2DR/P 1818036				
DDC-200/2	1						
DDC-250/2	2			10 x 10	4K10300MMK3 1319319	4K10600MMK3 1319322	1
DDC-400/2	2	K3DG/P 1818069	K3DR/P 1818096				
DDC-630/2	2						
DDC-800/2	3			12 x 12	4K12300MMK4 1319326	4K12600MMK4 1319329	1
DDC-1000/2	3	K4DG/P 1818052	K4DR/P 1818051				
DDC-1250/2	3						

D/C Type handles

With cylinder lock for mounting on hinged door supplied with two keys, with interlock function, suitable for Dumeco DDC-2/SK Type



K2 D/C handle
1818043



K3 D/C handle
1818097



K4 D/C handle
1818055



Shafts

D/C Type handles Metal shafts

DDC	Frame size	Handle colours		Shaft mm□	Lengths of shafts		Pack qty
		Grey	Red/ Yellow		300 mm	600 mm	
DDC-125/2	1			8 x 8	4K8300MMK2 1319311	4K8600MMK2 1319301	1
DDC-160/2	1	K2DG/C 1818043	K2DR/C 1818042				
DDC-200/2	1						
DDC-250/2	2			10 x 10	4K10300MMK3 1319319	4K10600MMK3 1319322	1
DDC-400/2	2	K3DG/C 1818070	K3DR/C 1818097				
DDC-630/2	2						
DDC-800/2	3			12 x 12	4K12300MMK4 1319326	4K12600MMK4 1319329	1
DDC-1000/2	3	K4DG/C 1818055	K4DR/C 1818054				
DDC-1250/2	3						

Switch-disconnectors for DC applications, 63 A to 1250 A, 1000 V d.c.

Accessories for DDC Dumeco

Coupling for extending shaft length for DDC 800 A, 1000 A and 1250 A, frame size 3



6098274

DDC Type	Part number	Article number	Pack qty
Frame size 3	SC4K12/14	6098274	1

Conversion kits for locking the D Type handles in both On and Off position



1818104

DDC Type	Frame size	Part number	Article number	Pack qty
DDC-63	0			1
DDC-80	0	ADAPTORPADLOCK-K1	1818103	1
DDC-100	0			1
DDC-125	1			1
DDC-160	1	ADAPTORPADLOCK-K2	1818104	1
DDC-200	1			1
DDC-250	2			1
DDC-400	2	ADAPTORPADLOCK-K3	1818105	1
DDC-630	2			1
DDC-800	3			1
DDC-1000	3	ADAPTORPADLOCK-K4,K5,K61	1818106	1
DDC-1250	3			1

Multi locking device for accommodating up to 3 additional padlocks



1059849

DDC	Frame size	Shackle	Part number	Article number	Pack qty
DDC 63 to 100 A	0	9 mm	LOCKMULTIPLIER-K1-6	1059849	1
DDC 125 to 200 A	1	9 mm			1
DDC 250 to 630 A	2	9 mm			1
DDC 800 to 1250 A	3	9 mm			1

Connection kit



1314915

DDC	Frame size	Bolt size	Part number	Article number	Pack qty
DDC 125 to 200 A	1	M8 x 20 mm	KITM8X20	1314927	1
DDC 250 to 630 A	2	M10 x 20 mm	KITM10X20	1314915	1
		M10 x 30 mm	KITM10X30	1314648	1
DDC 800 to 1250 A	3	M12 x 35 mm	KITM12X35	1314857	1

Terminal covers



1319413

DDC	Frame size	Bolt size	Part number	Article number	Pack qty
DDC 125 to 200 A	1	M8	QSACOVER1PM8	1319411	1
DDC 250 to 630 A	2	M10	QSACOVER1PM10	1319413	1
DDC 800 to 1250 A	3	M12	QSACOVER1PM12	1319415	1

Auxiliary contact set



6028293

DDC	Frame size	Mounting	Part number	Article number	Pack qty
DDC 63 to 100 A	0	1 Auxiliary contact per switch	AUX1NO+1NC+BOX012	6028293	1
DDC 125 to 200 A	1	2 Auxiliary contacts per switch			1
DDC 250 to 630 A	2	2 Auxiliary contacts per switch			1
DDC 800 to 1250 A	3	1 Auxiliary contact per switch	AUX1NO+1NC+BOX3	6101137	1

Switch-disconnectors for DC applications, 63 A to 1250 A, 1000 V d.c.

Technical data for DDC Dumeco

DDC 63 A to 200 A, frame sizes 0 and 1

		Frame size 0			Frame size 1			
		DDC 63	DDC 80	DDC 100	DDC 125	DDC 160	DDC 200	
Conventional free air thermal current	I_{th}	63 A	80 A	100 A	125 A	160 A	200 A	
Conventional enclosed thermal current	I_{the} 35°C	63 A	80 A	100 A	125 A	160 A	200 A	
		50°C	63 A	80 A	100 A	125 A	160 A	200 A
		65°C	63 A	80 A	100 A	125 A	160 A	200 A
Rated uninterrupted current	I_u	63 A	80 A	100 A	125 A	160 A	200 A	
Rated operational voltage	U_e	1000 V	1000 V	1000 V	1000 V	1000 V	1000 V	
Rated insulation voltage	U_i	1100 V	1100 V	1100 V	1200 V	1200 V	1200 V	
Rated impulse withstand voltage	U_{imp}	8 kV	8 kV	8 kV	8 kV	8 kV	8 kV	
Storage temperature		-40°C +80°C	-40°C +80°C	-40°C +80°C	-40°C +80°C	-40°C +80°C	-40°C +80°C	
Max altitude (without derating)		≤ 2000 m	≤ 2000 m	≤ 2000 m	≤ 2000 m	≤ 2000 m	≤ 2000 m	
Rated operational current								
DC-21B								
At $U_e = 480$ V DC-21B	I_e	63 A	80 A	100 A	125 A	160 A	200 A	
At $U_e = 600$ V DC-21B	I_e	63 A	80 A	100 A	125 A	160 A	200 A	
At $U_e = 1000$ V DC-21B	I_e	63 A	80 A	100 A	125 A	160 A	200 A	
Rated short-time withstand current	I_{cw}	3 kAs - 1 s	3 kAs	3 kAs	4 kAs	4 kAs	4 kAs	
Rated short-circuit making capacity	I_{cm}	4.3 kA	4.3 kA	4.3 kA	6 kA	6 kA	6 kA	
Power dissipation per pole	P	3 W	4 W	6 W	8 W	12 W	21 W	
Durability - maximum cycles (on+off)		10000	10000	10000	10000	10000	10000	
Pollution degree		III/3	III/3	III/3	III/3	III/3	III/3	
Protection class		IP20	IP20	IP20	IP20	IP20	IP20	
Terminal capacities								
Terminal bolt size		-	-	-	M8	M8	M8	
Cross section								
Stranded		6 - 35 mm ²	6 - 35 mm ²	6 - 35 mm ²	120 mm ²	120 mm ²	120 mm ²	
Flexible		6 - 25 mm ²	6 - 25 mm ²	6 - 25 mm ²	-	-	-	
Busbars		-	-	-	1 x 30 x 3 2 x 20 x 3	1 x 30 x 3 2 x 20 x 3	1 x 30 x 3 2 x 20 x 3	
Terminal tightening torque		3 Nm	3 Nm	3 Nm	14 Nm	14 Nm	14 Nm	
Standards		IEC 60947-3						
Certification		CE, RoHS, CCC						

9

Technical data for DDC Dumeco

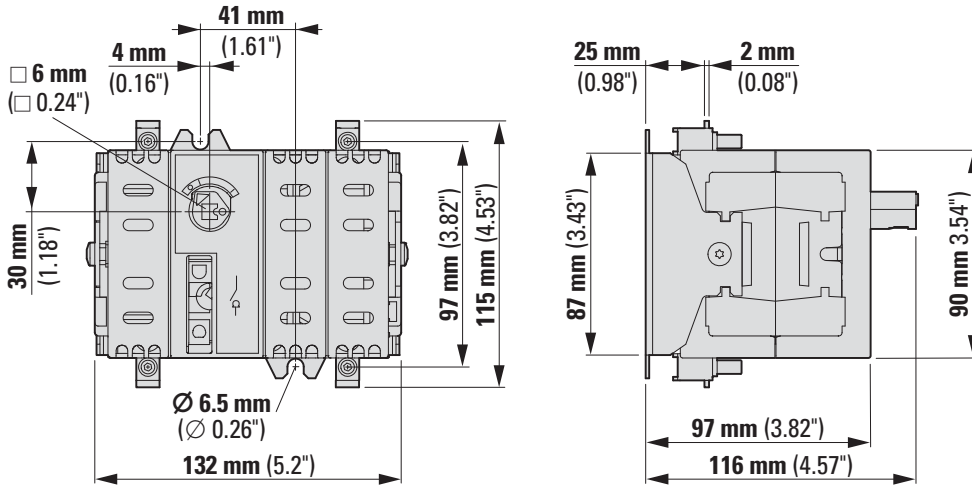
DDC 250 A to 1250 A, frame sizes 2 and 3

		Frame size 2			Frame size 3			
		DDC 250	DDC 400	DDC 630	DDC 800	DDC 1000	DDC 1250	
Conventional free air thermal current	I_{th}	250 A	400 A	630 A	800 A	1000 A	1250 A	
Conventional enclosed thermal current	I_{the} 35°C	250 A	400 A	630 A	800 A	1000 A	1250 A	
		50°C	250 A	400 A	560 A	800 A	1000 A	1250 A
		65°C	250 A	380 A	480 A	700 A	900 A	1000 A
Rated uninterrupted current	I_u	250 A	400 A	630 A	800 A	1000 A	1250 A	
Rated operational voltage	U_e	1000	1000	1000	1000	1000	1000	
Rated insulation voltage	U_i	1200 V	1200 V	1200 V	1200 V	1200 V	1200 V	
Rated impulse withstand voltage	U_{imp}	12 kV	12 kV	12 kV	12 kV	12 kV	12 kV	
Storage temperature		-40°C +80°C	-40°C +80°C	-40°C +80°C	-40°C +80°C	-40°C +80°C	-40°C +80°C	
Max altitude (without derating)		≤ 2000 m	≤ 2000 m	≤ 2000 m	≤ 2000 m	≤ 2000 m	≤ 2000 m	
Rated operational current								
DC-21B								
At $U_e = 480$ V DC-21B	I_e	250 A	400 A	630 A	800 A	1000 A	1250 A	
At $U_e = 600$ V DC-21B	I_e	250 A	400 A	630 A	800 A	1000 A	1250 A	
At $U_e = 1000$ V DC-21B	I_e	250 A	400 A	630 A	800 A	1000 A	1250 A	
Rated short-time withstand current	I_{cw}	15 kAs	15 kAs	15 kAs	25 kAs	25 kAs	25 kAs	
Rated short-circuit making capacity	I_{cm}	25 kA	25 kA	25 kA	54.5 kA	54.5 kA	54.5 kA	
Power dissipation per pole	P	15 W	39 W	97 W	34 W	53 W	83 W	
Durability - maximum cycles (on+off)		10000	10000	10000	5000	5000	5000	
Pollution degree		III/3	III/3	III/3	III/3	III/3	III/3	
Protection class		IP20	IP20	IP20	IP20	IP20	IP20	
Terminal capacities								
Terminal bolt size		M10	M10	M10	M12	2 x M12	2 x M12	
Cross section								
Stranded		240 mm ²	240 mm ²	185 mm ² x 2	240 mm ² x 2	-	-	
Busbars		1 x 25 x 6	2 x 25 x 6	2 x 40 x 5	2 x 50 x 5	2 x 60 x 5	2 x 80 x 5	
Terminal tightening torque		20 Nm	20 Nm	20 Nm	28 Nm	28 Nm	28 Nm	
Standards		IEC 60947-3						
Certification		CE, RoHS, CCC						

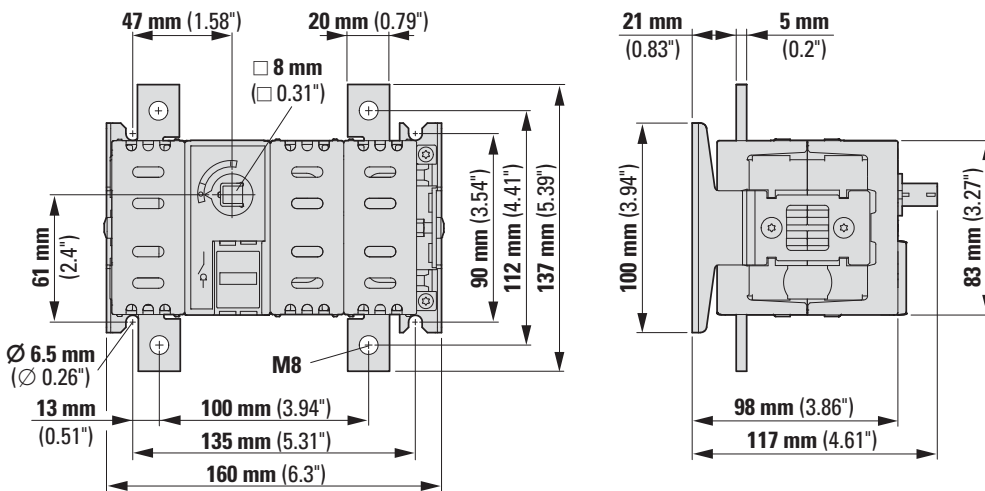
Switch-disconnectors for DC applications, 63 A to 1250 A, 1000 V d.c.

Outline drawings for DDC Dumeco (Dimensions are in mm)

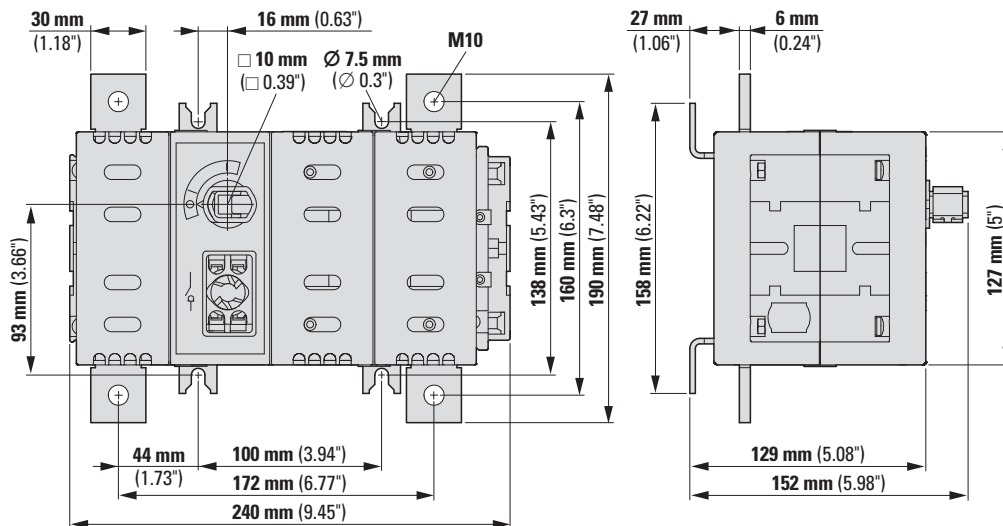
DDC Frame size 0 - 63 A, 80 A and 100 A



DDC Frame size 1 - 125 A, 160 A and 200 A



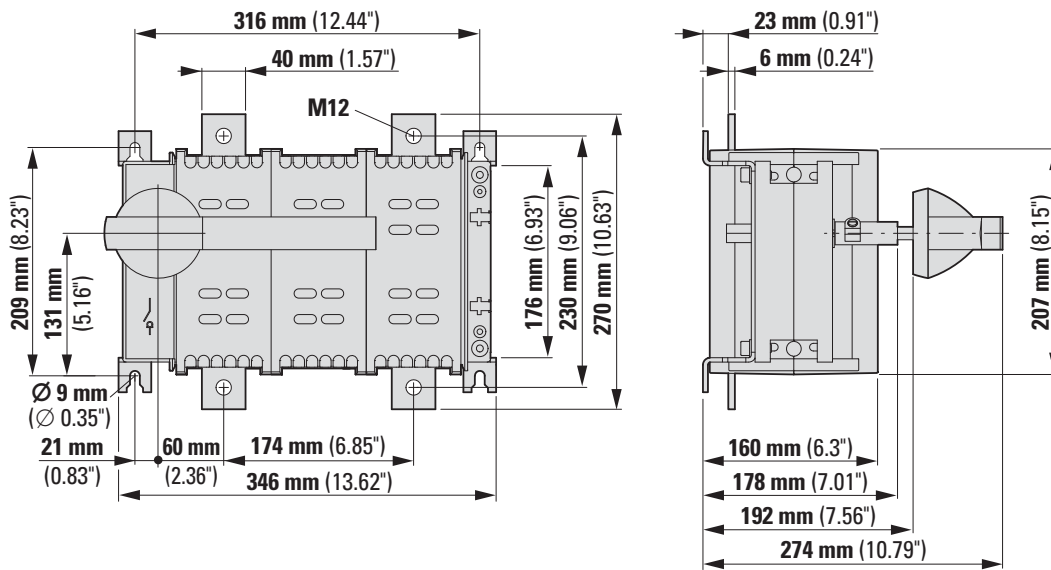
DDC Frame size 2 - 250 A, 400 A and 630 A



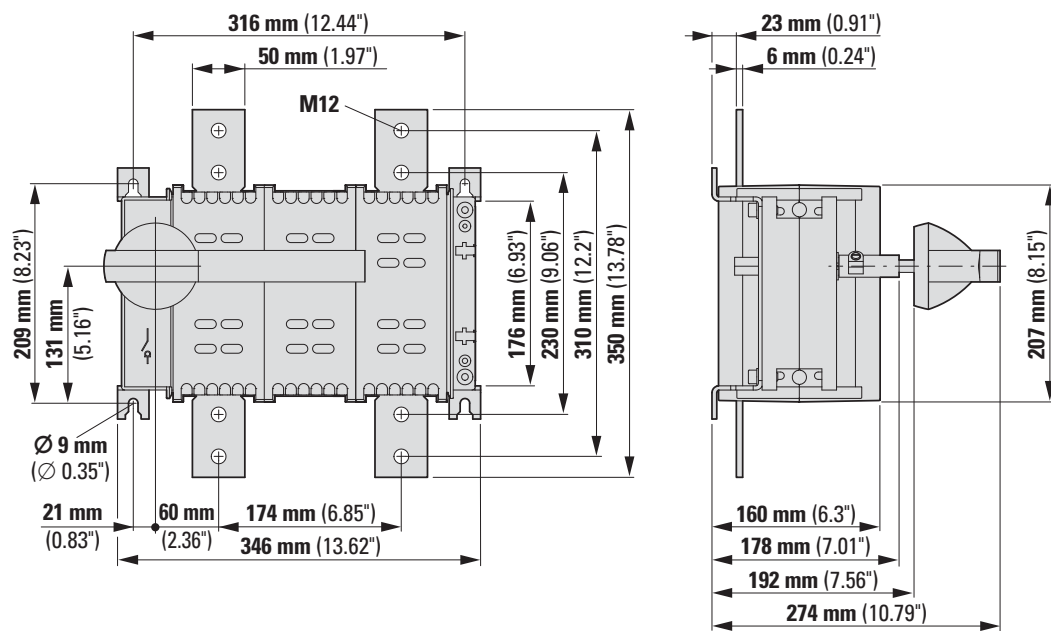
Switch-disconnectors for DC applications, 63 A to 1250 A, 1000 V d.c.

Outline drawings for DDC Dumeco (Dimensions are in mm)

DDC Frame size 3 - 800 A



DDC Frame size 3 - 1000 A and 1250 A

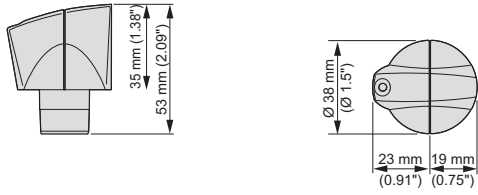


K Type handles dimensions

A Type handles - dimensions mm

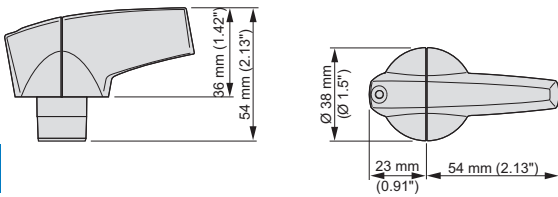
Handle mounted directly on switch (IP Protection IP65)

K1 'A' handle



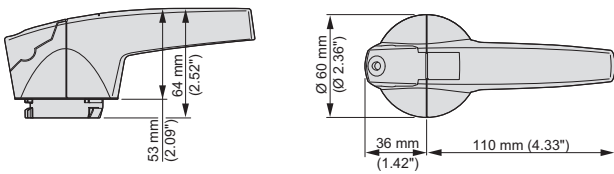
K1 A handle
1818001

K2S and K2 'A' handle



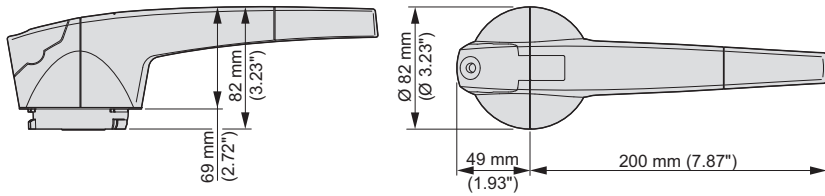
K2 A handle
1818004

K3 'A' handle



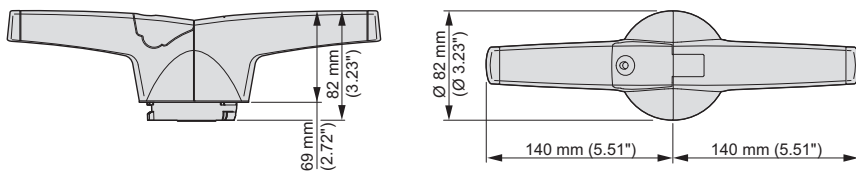
K3 A handle
1818202

K4 'A' handle



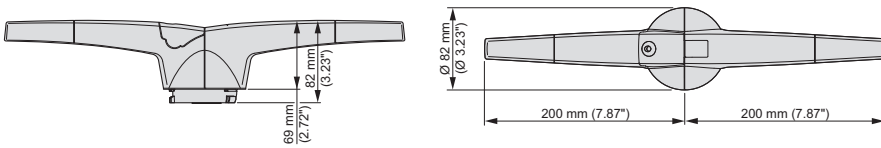
K4A handle
1818009

K5 'A' handle



K5 A handle
1818012

K6 'A' handle



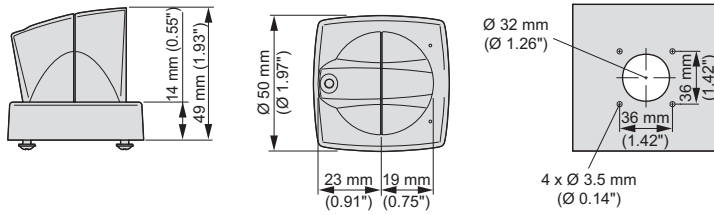
K6 A handle
1818013

10

C Type handles - dimensions mm

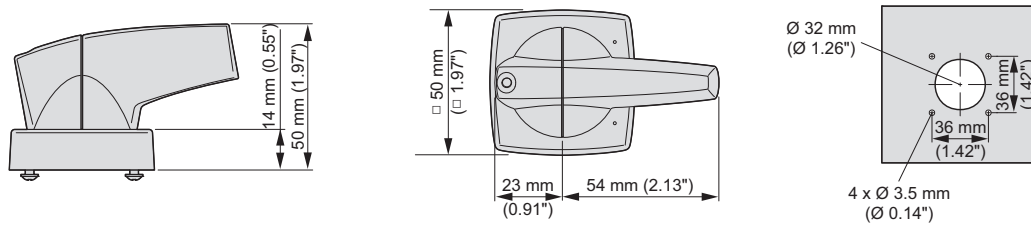
Without interlock function, for example when mounted on the cover of Eaton's Halyester enclosure range (IP Protection IP56)

K1 'C' handle



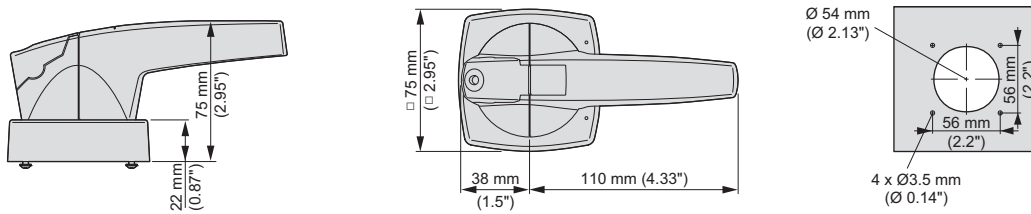
K1 C handle

K2S and K2 'C' handle



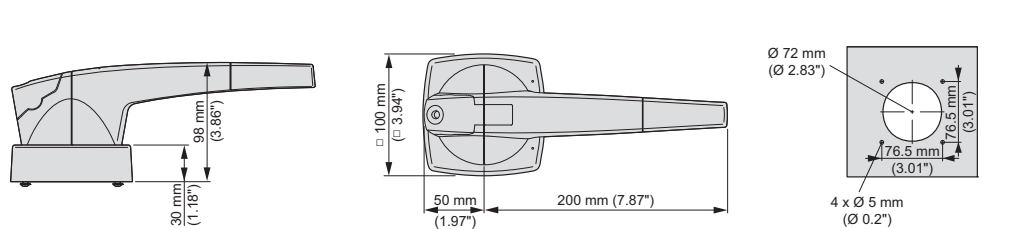
K2 handle
1818018

K3 'C' handle



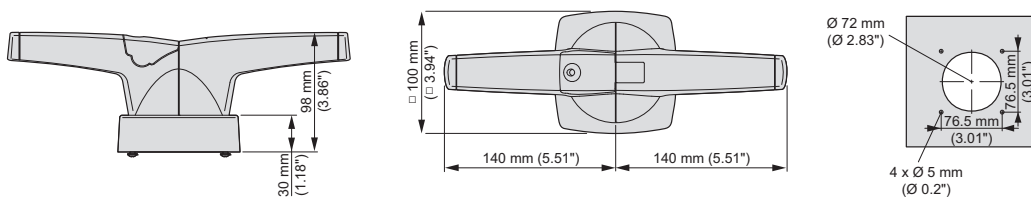
K3 C handle
1818068

K4 'C' handle



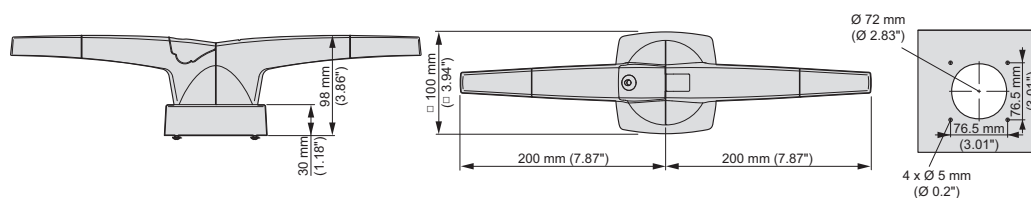
K4 C handle
1818024

K5 'C' handle



1818026

K6 'C' handle



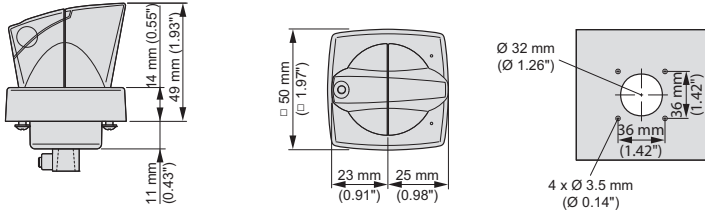
1818027

K Type handles dimensions

D/P handles - dimensions mm

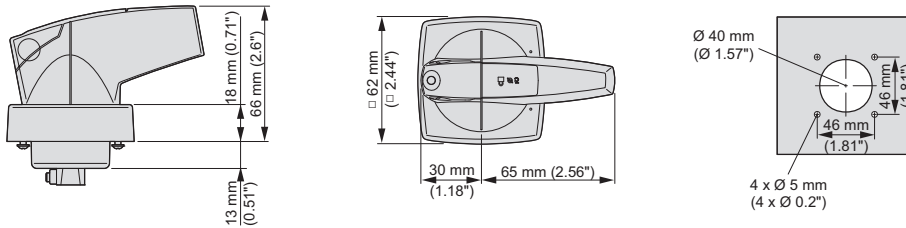
Handle padlockable for mounting on hinged door, with interlock function (IP Protection IP65)

K1 'D/P' handles



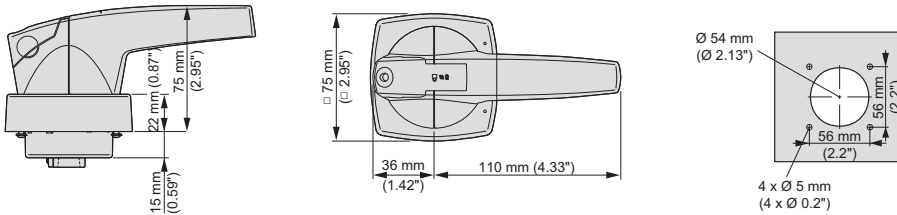
K1 D/P handle
1818029

K2S and K2 'D/P' handles



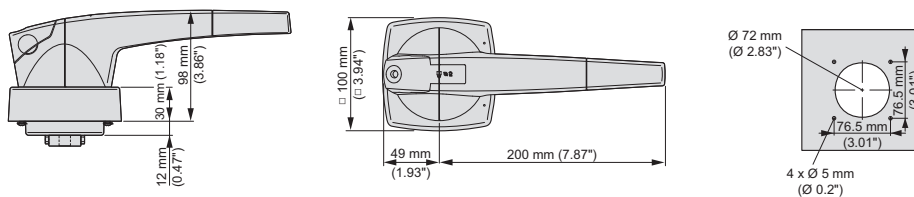
K2 D/P handle
1818033

K3 'D/P' handles



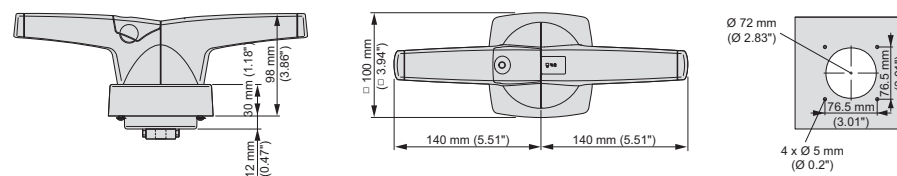
K3 D/P handle
1818069

K4 'D/P' handles



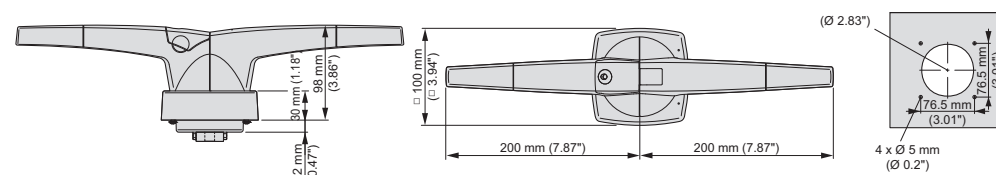
K4 D/P handle
1818113

K5 'D/P' handles



K5 D/P handle
1818057

K6 'D/P' handles

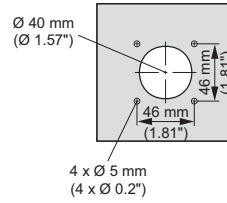
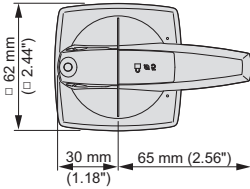
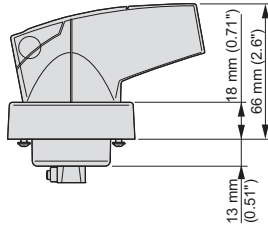


K6 D/P handle
1818064

D/C Type handles - dimensions mm

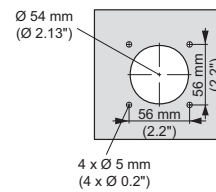
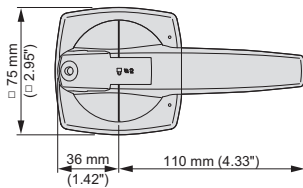
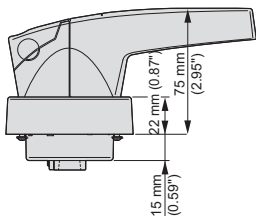
Handle with cylinder lock for mounting on hinged door, supplied with two keys, with interlock function (IP Protection IP65)

K2S and K2 'D/C' handle



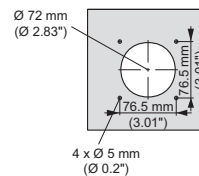
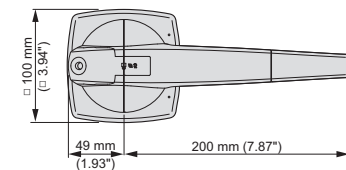
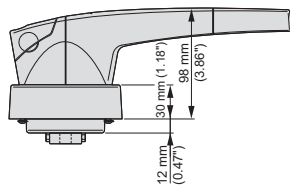
K2 D/C handle
1818038

K3 'D/C' handle



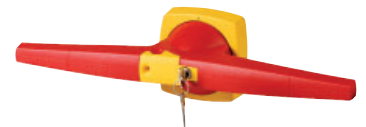
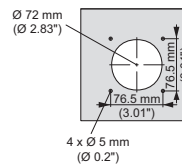
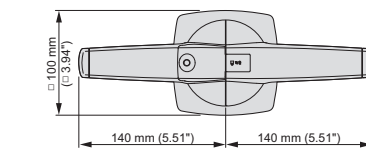
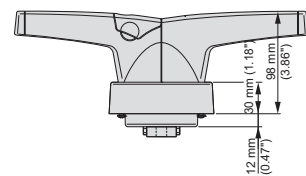
K3 D/C handle
1818097

K4 D/C' handles



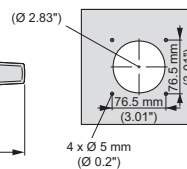
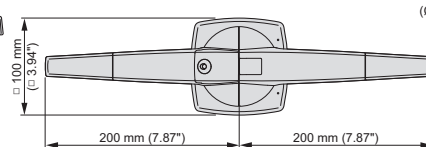
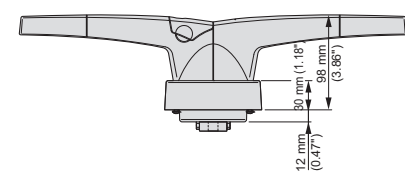
K4 D/C handle
1818055

K5 'D/C' handles



K5 D/C handle
1818060

K6 'D/C' handles



K6 D/C handle
1818067

Compact circuit protector UL 98 Class CF disconnect switches up 100 A

CCP2 class CF 30 A to 100 A, up to 600 V a.c./125 V d.c.



Description

The revolutionary, next generation Bussmann™ series Compact Circuit Protector (CCP2) is a fused UL® 98 branch circuit disconnect switch utilizing the UL Class CF time-delay or fast-acting CUBEFuse™. With 2/3 the footprint of a traditional fusible solution, these switches provide a high 200 kA SCCR to help improve panel and assembly SCCR.

Standards/Approvals

- UL 98 Listed, Guide WHTY, File E302370
- cULus to Canadian Standard 2.2 No. 4-04, Guide WHTYZ, File 302370
- RoHS compliant
- CE

Technical data

- Voltage:
 - 347 V a.c. (1-pole switches)
 - 600 V ac. (2 and 3-pole switches)
 - 125 V d.c. (1- and 2-pole switches)
- Current: 30 A, 60 and 100 A
- SCCR:
 - 200 kA RMS Sym
 - 100 kA DC
- 1-pole, 2-pole and 3-pole

Features

- Uses UL Class CF time-delay or fast-acting CUBEFuse with Class J electrical performance
- Extremely compact design at 25.4 mm (1 inch) wide per pole
- Amp rating rejecting disconnects will not accept a CUBEFuse amp rating greater than switch
- Visible contact separation
- Full voltage rated at 347 V a.c. (1-pole switches) and 600 V a.c. (2 and 3-pole switches)

See further details www.eaton.com/bussmannseries, data sheet 10801

Compact circuit protector UL 98 Class CF disconnect switches up 100 A

CCP2 class CF 30 A to 100 A, up to 600 V a.c./125 V d.c.

CCP2 class CF range overview

	30 A	60 A	100 A
Switch only	✓	✓	✓
Right front rotary, clockwise operated switch	✓	✓	✓
Left front rotary, clockwise operated switch	✓	✓	✓
Right side rotary, clockwise operated switch	✓	✓	✓
Left side rotary, counterclockwise operated switch	✓	✓	✓

CCP2 class CF switch only



CCP2 switch

Article number	Current rating	Number of poles	Voltage rating	Max Hp rating (V a.c.)				Pack qty
				120	240	480	600	
CCP2-1-30CF	30 A	1P	347 V a.c./125 V d.c.	1.5	-	-	-	12
CCP2-2-30CF	30 A	2P	600 V a.c./125 V d.c.	-	3	-	-	6
CCP2-3-30CF	30 A	3P	600 V a.c.	-	5	15	10	4
CCP2-1-60CF	60 A	1P	347 V a.c./125 V d.c.*	3	-	-	-	12
CCP2-2-60CF	60 A	2P	600 V a.c./125 V d.c.*	-	7.5	-	-	6
CCP2-3-60CF	60 A	3P	600 V a.c.	-	7.5	20	10	4
CCP2-1-100CF	100 A	1P	347 V a.c./125 V d.c.**	5	-	-	-	6
CCP2-2-100CF	100 A	2P	600 V a.c./125 V d.c.**	-	10	-	-	3
CCP2-3-100CF	100 A	3P	600 V a.c.	-	20	50	40	2

11

CCP2 class CF right front rotary, clockwise operated switch



CCP2 right front rotary switch

Article number	Current rating	Number of poles	Voltage rating	Max Hp rating (V a.c.)				Pack qty
				120	240	480	600	
CCP2R-2-30CF	30 A	2P	600 V a.c./125 V d.c.	-	3	-	-	1
CCP2R-3-30CF	30 A	3P	600 V a.c.	-	5	15	10	1
CCP2R-2-60CF	60 A	2P	600 V a.c./125 V d.c.*	-	7.5	-	-	1
CCP2R-3-60CF	60 A	3P	600 V a.c.	-	7.5	20	10	1
CCP2R-2-100CF	100 A	2P	600 V a.c./125 V d.c.**	-	10	-	-	1
CCP2R-3-100CF	100 A	3P	600 V a.c.	-	20	50	40	1

CCP2 class CF left front rotary, clockwise operated switch



CCP2 left front rotary switch

Article number	Current rating	Number of poles	Voltage rating	Max Hp rating (V a.c.)				Pack qty
				120	240	480	600	
CCP2RL-2-30CF	30 A	2P	600 V a.c./125 V d.c.	-	3	-	-	1
CCP2RL-3-30CF	30 A	3P	600 V a.c.	-	5	15	10	1
CCP2RL-2-60CF	60 A	2P	600 V a.c./125 V d.c.*	-	7.5	-	-	1
CCP2RL-3-60CF	60 A	3P	600 V a.c.	-	7.5	20	10	1
CCP2RL-2-100CF	100 A	2P	600 V a.c./125 V d.c.**	-	10	-	-	1
CCP2RL-3-100CF	100 A	3P	600 V a.c.	-	20	50	40	1

* 125 V d.c. for installed amp ratings up to 40 A, 24 V d.c. for installed fuse amp ratings from 45 to 60 A

** 125 V d.c. for installed amp ratings up to 80 A, 24 V d.c. for installed fuse amp ratings from 90 to 100 A

See further details www.eaton.com/bussmannseries, data sheet 10801

Compact circuit protector UL 98 Class CF disconnect switches up 100 A

CCP2 Class CF 30 A to 100 A, up to 600 V a.c./125 V d.c.

CCP2 class CF right side rotary, clockwise operated switch



CCP2 right side rotary switch

Article number	Current rating	Number of poles	Voltage rating	Max Hp rating (V a.c.)				Pack qty
				120	240	480	600	
CCP2S-2-30CF	30 A	2P	600 V a.c./125 V d.c.	-	3	-	-	1
CCP2S-3-30CF	30 A	3P	600 V a.c.	-	5	15	10	1
CCP2S-2-60CF	60 A	2P	600 V a.c./125 V d.c.*	-	7.5	-	-	1
CCP2S-3-60CF	60 A	3P	600 V a.c.	-	7.5	20	10	1
CCP2S-2-100CF	100 A	2P	600 V a.c./125 V d.c.**	-	10	-	-	1
CCP2S-3-100CF	100 A	3P	600 V a.c.	-	20	50	40	1

CCP2 class CF left side rotary, counterclockwise operated switch



CCP2 left side rotary switch

Article number	Current rating	Number of poles	Voltage rating	Max Hp rating (V a.c.)				Pack qty
				120	240	480	600	
CCP2SL-2-30CF	30 A	2P	600 V a.c./125 V d.c.	-	3	-	-	1
CCP2SL-3-30CF	30 A	3P	600 V a.c.	-	5	15	10	1
CCP2SL-2-60CF	60 A	2P	600 V a.c./125 V d.c.*	-	7.5	-	-	1
CCP2SL-3-60CF	60 A	3P	600 V a.c.	-	7.5	20	10	1
CCP2SL-2-100CF	100 A	2P	600 V a.c./125 V d.c.**	-	10	-	-	1
CCP2SL-3-100CF	100 A	3P	600 V a.c.	-	20	50	40	1

* 125 V d.c. for installed amp ratings up to 40 A, 24 V d.c. for installed fuse amp ratings from 45 to 60 A

** 125 V d.c. for installed amp ratings up to 80 A, 24 V d.c. for installed fuse amp ratings from 90 to 100 A

Handles and shafts for CCP2 class CF (Handles and shaft are to be ordered separately)

Handles mounting types overview

CCP2	Shaft square mm □	Selector handles clockwise		Selector handles counterclockwise		Pistol handles clockwise		Pistol handles counterclockwise	
		Black/Grey	Red/Yellow	Black/Grey	Red/Yellow	Black/Grey	Red/Yellow	Black/Grey	Red/Yellow
CCP2R-(pole)-30CF	8 x 8	✓	✓			✓	✓		
CCP2R-(pole)-60CF	8 x 8	✓	✓			✓	✓		
CCP2R-(pole)-100CF	8 x 8	✓	✓			✓	✓		
CCP2RL-(pole)-30CF	8 x 8	✓	✓			✓	✓		
CCP2RL-(pole)-60CF	8 x 8	✓	✓			✓	✓		
CCP2RL-(pole)-100CF	8 x 8	✓	✓			✓	✓		
CCP2S-(pole)-30CF	8 x 8	✓	✓			✓	✓		
CCP2S-(pole)-60CF	8 x 8	✓	✓			✓	✓		
CCP2S-(pole)-100CF	8 x 8	✓	✓			✓	✓		
CCP2SL-(pole)-30CF	8 x 8			✓	✓			✓	✓
CCP2SL-(pole)-60CF	8 x 8			✓	✓			✓	✓
CCP2SL-(pole)-100CF	8 x 8			✓	✓			✓	✓

See further details www.eaton.com/bussmannseries, data sheet 10801

Handles and shafts for CCP2 class CF (Handles and shaft are to be ordered separately)

Selector and pistol clockwise handles



Selector handle
CCP2-H4X-B1



Selector handle
CCP2-H4X-R1



Pistol handle
CCP2-H4X-B2



Pistol handle
CCP2-H4X-R2



Shafts
CCP-SH1

CCP2 class CF	Description	Selector handles		Pistol handles		Shaft mm□	Metal shafts		Pack qty
		Handle colours		Handle colours			Shaft length		
		Black/Grey	Red/ Yellow	Black/Grey	Red/ Yellow		290 mm	490 mm	
CCP2R-(pole)-30CF	Right front rotary switch clockwise handle	CCP2-H4X-B1	CCP2-H4X-R1	CCP2-H4X-B2	CCP2-H4X-R2	8 x 8	CCP2-SH1-290	CCP2-SH1-490	1
CCP2R-(pole)-60CF		CCP2-H4X-B1	CCP2-H4X-R1	CCP2-H4X-B2	CCP2-H4X-R2		CCP2-SH1-290	CCP2-SH1-490	
CCP2R-(pole)-100CF		CCP2-H4X-B1	CCP2-H4X-R1	CCP2-H4X-B2	CCP2-H4X-R2		CCP2-SH1-290	CCP2-SH1-490	
CCP2RL-(pole)-30CF	Left front rotary switch clockwise handle	CCP2-H4X-B1	CCP2-H4X-R1	CCP2-H4X-B2	CCP2-H4X-R2	8 x 8	CCP2-SH1-290	CCP2-SH1-490	1
CCP2RL-(pole)-60CF		CCP2-H4X-B1	CCP2-H4X-R1	CCP2-H4X-B2	CCP2-H4X-R2		CCP2-SH1-290	CCP2-SH1-490	
CCP2RL-(pole)-100CF		CCP2-H4X-B1	CCP2-H4X-R1	CCP2-H4X-B2	CCP2-H4X-R2		CCP2-SH1-290	CCP2-SH1-490	
CCP2S-(pole)-30CF	Right side rotary switch, clockwise handle	CCP2-H4X-B1	CCP2-H4X-R1	CCP2-H4X-B2	CCP2-H4X-R2	8 x 8	CCP2-SH1-290	CCP2-SH1-490	1
CCP2S-(pole)-60CF		CCP2-H4X-B1	CCP2-H4X-R1	CCP2-H4X-B2	CCP2-H4X-R2		CCP2-SH1-290	CCP2-SH1-490	
CCP2S-(pole)-100CF		CCP2-H4X-B1	CCP2-H4X-R1	CCP2-H4X-B2	CCP2-H4X-R2		CCP2-SH1-290	CCP2-SH1-490	

11

Selector and pistol counterclockwise handles



Selector handle
CCP2-H4X-B1L



Selector handle
CCP2-H4X-R1L



Pistol handle
CCP2-H4X-B2L



Pistol handle
CCP2-H4X-R2L



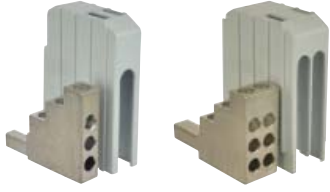
Shafts
CCP-SH1

CCP2 Class CF	Description	Selector handles		Pistol handles		Shaft mm□	Metal shafts		Pack qty
		Handle colours		Handle colours			Shaft length		
		Black/Grey	Red/ Yellow	Black/Grey	Red/ Yellow		290 mm	490 mm	
CCP2SL-(pole)-30CF	Left side rotary switch, counterclockwise handle	CCP2-H4X-B1L	CCP2-H4X-R1L	CCP2-H4X-B2L	CCP2-H4X-R2L	8 x 8	CCP2-SH1-290	CCP2-SH1-490	1
CCP2SL-(pole)-60CF		CCP2-H4X-B1L	CCP2-H4X-R1L	CCP2-H4X-B2L	CCP2-H4X-R2L		CCP2-SH1-290	CCP2-SH1-490	
CCP2SL-(pole)-100CF		CCP2-H4X-B1L	CCP2-H4X-R1L	CCP2-H4X-B2L	CCP2-H4X-R2L		CCP2-SH1-290	CCP2-SH1-490	

Compact circuit protector UL 98 Class CF disconnect switches up 100 A

Accessories for CCP2 Class CF

Multi-wire lug kits



CCP2-MW1-3

CCP2-MW1-6

Article number	Description	Suitable for CCP2	Pack qty
CCP2-MW1-3	3-port multi-wire, 75°C Cu.Al, 6-14 includes terminal shield	30 A and 60 A	3
CCP2-MW1-6	6-port multi-wire, 75°C Cu.Al, 6-14 includes terminal shield	100 A	3

Terminal shrouds



CCP2-TS1-3

CCP2-TS1-6

Article number	Suitable for CCP2	Pack qty
CCP2-TS1-3	30 A and 60 A	3
CCP2-TS1-6	100 A	3

Auxiliary contacts



CCP2-AUX

Article number	Description	Suitable for CCP2	CCP Type	Pack qty
CCP2-AUX	NO + NC, 5A /240 V a.c., mounts on right side	CCP2-(poles)-30CF	Switch only	3
		CCP2-(poles)-60CF		
	NO + NC, 5A /240 V a.c.	CCP2RL-(poles)-30CF	Left front rotary	3
		CCP2RL-(poles)-60CF		
NO + NC, 5A /240 V a.c., mounts on right side	CCP2SL-(poles)-30CF	Left side rotary	3	
	CCP2SL-(poles)-60CF			
CCP2-AUX-100	NO + NC, 5A /240 V a.c., mounts on right side, cannot be used with flange rod handle	CCP2-(poles)-100CF	Switch only	3
	NO + NC, 5A /240 V a.c.	CCP2RL-(poles)-100CF	Left front rotary	3
	NO + NC, 5A /240 V a.c., mounts on right side	CCP2SL-(poles)-100CF	Left side rotary	3

See further details www.eaton.com/bussmannseries, data sheet 10801

Technical data for CCP2 Class CF

CCP2 Class CF 30 A, 60 A and 100 A	
Rated voltage	347 V a.c. (1-pole switches) 600 V a.c. (2 and 3-pole switches) 125 V d.c.*
SCCR	200 kA AC and 100 kA DC
Poles	1-pole, 2-pole and 3-pole
Conductors/terminals	75°C Cu, see conductor tables for size, type and torque information Box lug, single/dual indicator Fork terminal suitable for line, load or accessory connection, max. 30 A suitable for use with - 10-24 screw for 30 A and 60 A switches - 1/4-28 screw for 100 A switches
Local open fuse indication minimum voltage (Open fuse indication requires an open fuse to be in the CCP2 and the switch in the ON position)	90 V a.c. for AC switches 12 V d.c. for DC switches
Storage and operating temperature	-20°C to 75°C For fuse performance under or above 25°C, consult fuse performance derating charts in the Bussmann division publication no 3002, titled Selecting Protection Devices (SPD)
Lockout/tag provisions	1/4" lock, direct use on switches without rotary mechanisms requires a lock with a straight shank of sufficient length to engage all poles
Minimum enclosure size	254 x 203 x 152 mm for 30 and 60 A switch 356 x 305 x 152 mm for 100 switch
Mounting	35 mm DIN-Rail
Data sheet	10801
Agency information	UL 98 Listed, Guide WHTY, File E302370 cULus to Canadian Standard 2.2 NO 4-04, Guide WHTY7 File 302370 RoHS compliant CE

* Switch amp rating and installed fuse amp rating dependent

Box lug terminal conductor data

Wire type	AWG range	Class	Quantity	Torque N•m (lb-in)	Wire type	AWG range	Class	Quantity	Torque N•m (lb-in)
30 and 60 A switches					100 A switches				
75°C Cu	4-6	Stranded, Class B to K	Single	3.95 (35)	75°C Cu	12-18	Stranded, Class B/C	Single	2.26 (20)
	8-18			3.39 (30)		8			4.52 (40)
	6-8	Stranded, Class K	Dual	2.26 (20)		4-6		5.08 (45)	
	10-18			2.26 (20)		1-3		6.21 (55)	
	10-18	Solid	Single/dual	2.26 (20)		4-12		Dual	5.08 (45)
	4-18	Stranded, UL ferrule, Class B/C	Single	3.39 (30)		12-18			2.26 (20)
	6-18		Twin†			10		Single	3.95 (35)
	4-18	Stranded, UL ferrule, Class K	Single	2.82 (25)		1-8		Stranded, UL ferrule, Class B/C	4.52 (40)
	6-18		Twin†			10-18			Twint
						6-9			2.82 (25)
				10-18	Solid	Single/Dual	2.26 (20)		
				8-18		Single	2.26 (20)		
				1-7	Class K	Single	3.39 (30)		
				3-10		Dual	5.08 (45)		
				8-18		Single	2.26 (20)		
				1-7	Class K, UL ferrule	Single	3.39 (30)		
				6-18		Twin	2.26 (20)		

† Two stranded conductors placed in one UL Listed twin ferrule.

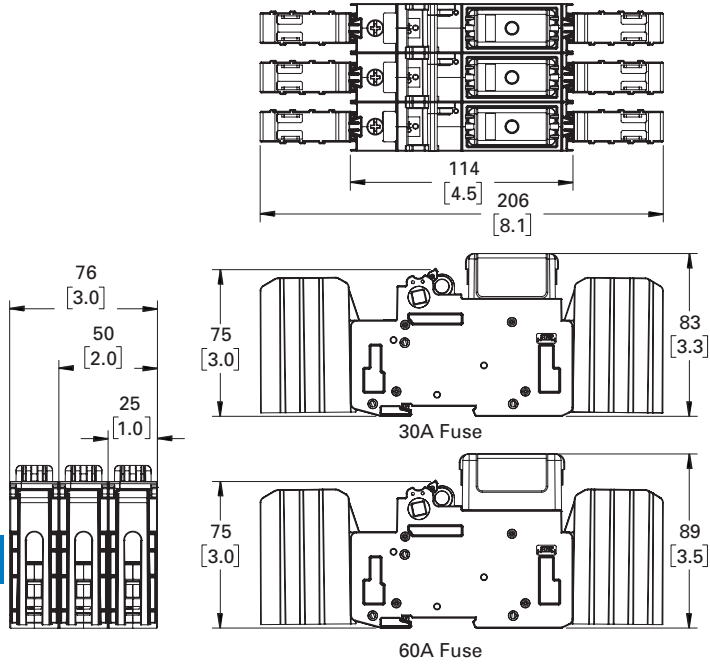
† Two stranded conductors placed in one UL Listed twin ferrule.

See further details www.eaton.com/bussmannseries, data sheet 10801

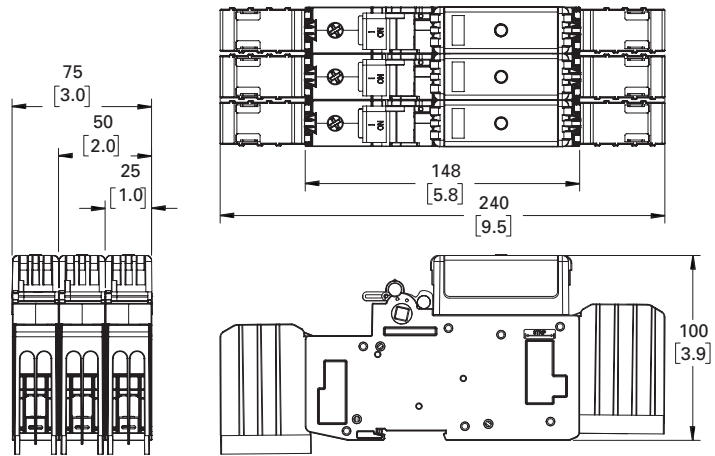
Compact circuit protector UL 98 Class CF disconnect switches up to 100 A

Outline drawings for CCP2 class CF (Dimensions are in mm (in))

30 A and 60 A Switch only (shown with optional terminal shrouds)



100 A Switch only (shown with optional terminal shrouds)

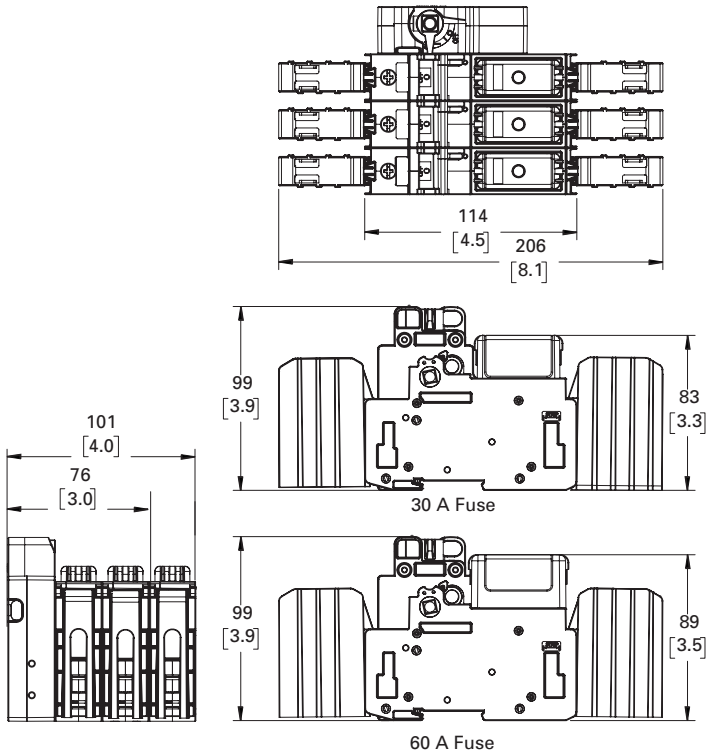


See further details www.eaton.com/bussmannseries, data sheet 10801

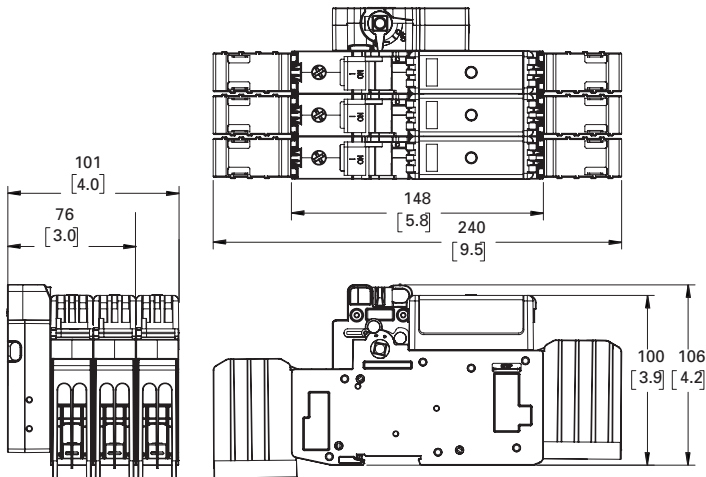
Compact circuit protector UL 98 Class CF disconnect switches up 100 A

Outline drawings for CCP2 class CF (Dimensions are in mm (in))

30 A and 60 A Right front rotary switches (shown with optional terminal shrouds)



100 A Right front rotary switches (shown with optional terminal shrouds)

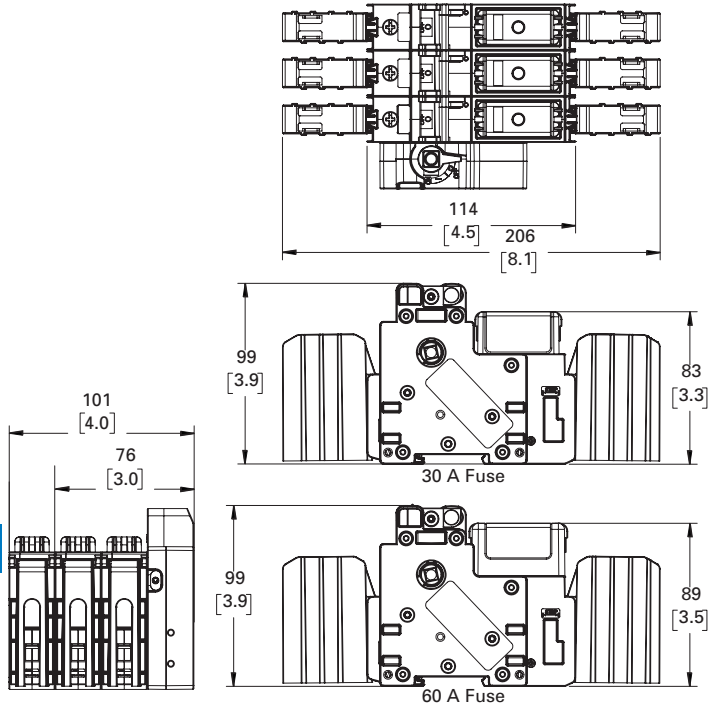


See further details www.eaton.com/bussmannseries, data sheet 10801

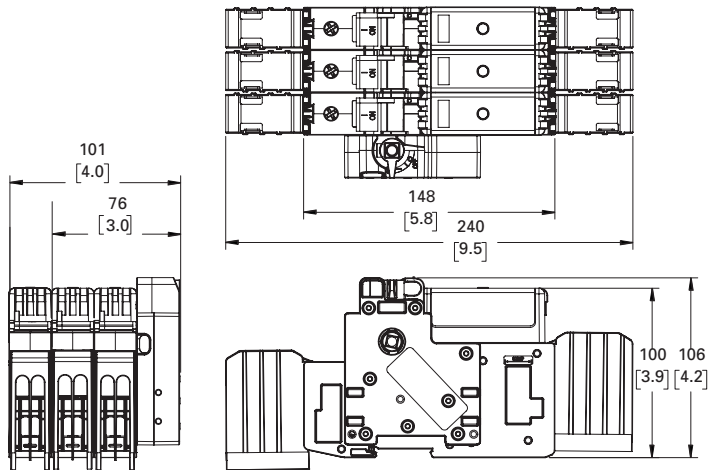
Compact circuit protector UL 98 Class CF disconnect switches up 100 A

Outline drawings for CCP2 class CF (Dimensions are in mm (in))

30 A and 60 A Left front rotary switches (shown with optional terminal shrouds)



100 A Left front rotary switches (shown with optional terminal shrouds)

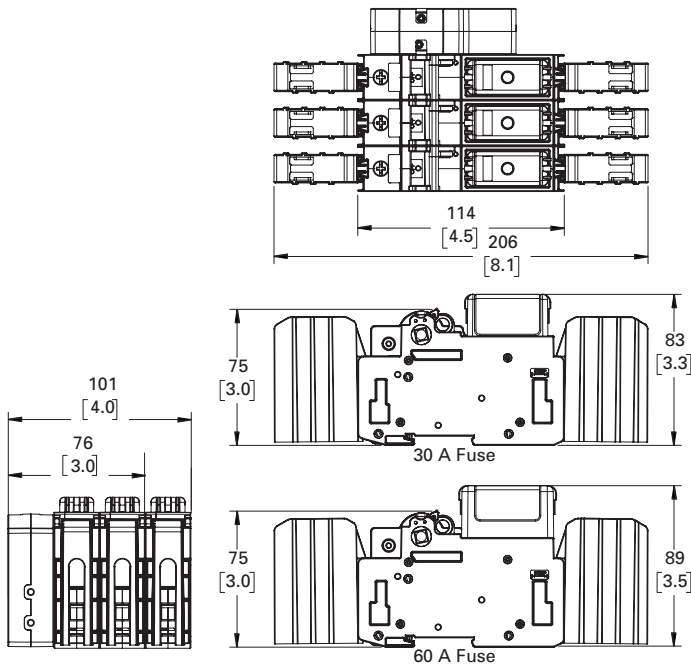


See further details www.eaton.com/bussmannseries, data sheet 10801

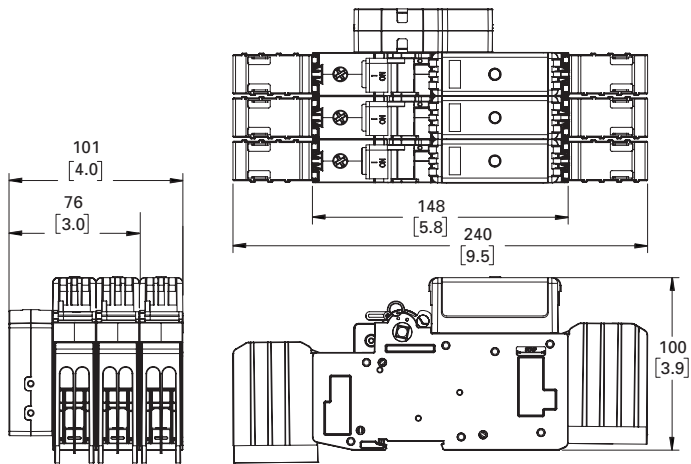
Compact circuit protector UL 98 Class CF disconnect switches up 100 A

Outline drawings for CCP2 class CF (Dimensions are in mm (in))

30 A and 60 A Right side rotary switches (shown with optional terminal shrouds)



100 A Right side rotary switches (shown with optional terminal shrouds)

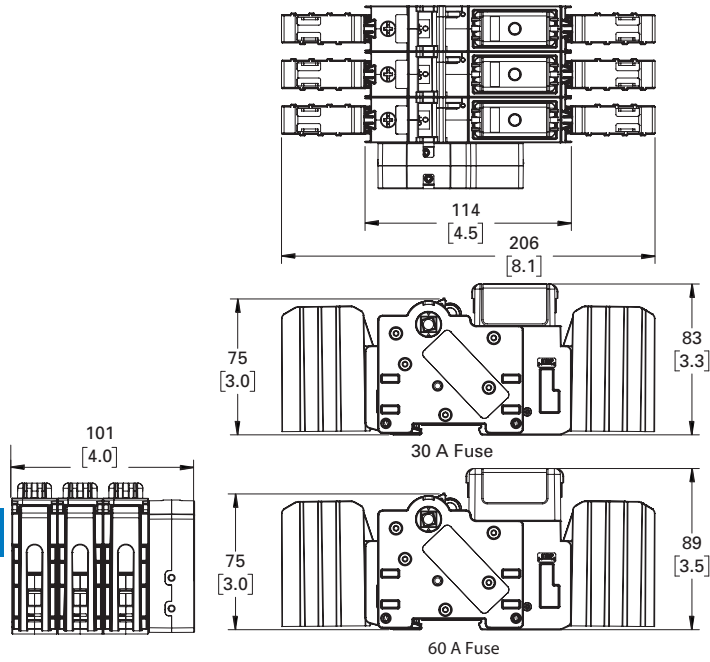


See further details www.eaton.com/bussmannseries, data sheet 10801

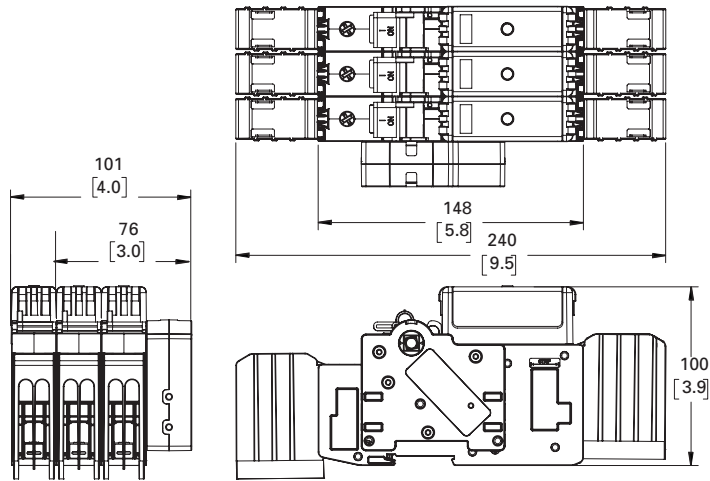
Compact circuit protector UL 98 Class CF disconnect switches up to 100 A

Outline drawings for CCP2 class CF (Dimensions are in mm (in))

30 A and 60 A Left side rotary switches (shown with optional terminal shrouds)



100 A Left side rotary switches (shown with optional terminal shrouds)



See further details www.eaton.com/bussmannseries, data sheet 10801

CCP2 class CF Compatible Eaton's Bussmann series fuse links

UL Class CF branch circuit time-delay CUBEFuse



CCP Class CF	Compatible CUBEFuse			Pack qty
Article number	Article number	Current (Amps)	Voltage	
Indicating CUBEFuse				
CCP 30 A , CCP 60 A and CCP 100 A	TCF6	6	600 V a.c./ 100 V d.c.	12
	TCF10	10		12
	TCF15	15		12
	TCF17-1/2	17.5		12
	TCF20	20		12
	TCF25	25		12
	TCF30	30		12
CCP 60 A and CCP 100 A	TCF35	35		12
	TCF40	40		12
	TCF45	45		12
	TCF50	50		12
	TCF60	60		12
	TCF70	70		6
CCP 100 A	TCF80	80		6
	TCF90	90		6
	TCF100	100		6
Non-indicating CUBEFuse				
CCP 30 A , CCP 60 A and CCP 100 A	TCF1RN	1	600 V a.c./ 100 V d.c.	12
	TCF3RN	3		12
	TCF6RN	6		12
	TCF10RN	10		12
	TCF15RN	15		12
	TCF17-1/2RN	17.5		12
	TCF20RN	20		12
	TCF25RN	25		12
	TCF30RN	30		12
	TCF35RN	35		12
CCP 60 A and CCP 100 A	TCF40RN	40		12
	TCF45RN	45		12
	TCF50RN	50		12
	TCF60RN	60		12
	TCF70RN	70		6
CCP 100 A	TCF80RN	80		6
	TCF90RN	90		6
	TCF100RN	100		6

See further details www.eaton.com/bussmannseries, data sheet 9000

Compact circuit protector UL 98 Class CF disconnect switches up 100 A

CCP2 class CF Compatible Eaton's Bussmann series fuse links

Fast acting CUBEFuse for UPS and Critical applications



CCP Class CF Article number	Compatible CUBEFuse			Pack qty
	Article number	Current (Amps)	Voltage	
CCP 30 A , CCP 60 A and CCP 100 A	FCF1RN	1	600 V a.c./ 100 V d.c.	12
	FCF3RN	3		12
	FCF6RN	6		12
	FCF10RN	10		12
	FCF15RN	15		12
	FCF20RN	20		12
	FCF25RN	25		12
	FCF30RN	30		12
	FCF35RN	35		12
	FCF40RN	40		12
CCP 60 A and CCP 100 A	FCF45RN	45	12	
	FCF50RN	50	12	
	FCF60RN	60	12	
	FCF70RN	70	6	
CCP 100 A	FCF80RN	80	6	
	FCF90RN	90	6	
	FCF100RN	100	6	

See further details www.eaton.com/bussmannseries, data sheet 2147

All-around service for your machine control systems

Powering Business: For Eaton, this promise means more than just providing reliable products and technologies. It means using our support expertise and services to provide you with an engineering solution that is perfectly tailored to your own specific needs. Or, put more simply, turnkey solutions designed to drive your success.

Engineering for your machine control systems

From the initial idea to bringing your application to life – Eaton will accompany you through every step involved in developing your machine, providing unparalleled support all throughout. The Lean Solution expert's knowhow, combined with the innovation of Eaton products, ensures that you will be able to take advantage of our engineering edge to establish a solid competitive advantage on the market.

Eaton will not only help you select products, but will also provide advice concerning your machine's electrical and hydraulic design and be there for you every step of the way while you implement your applications and programs and commission your system. By combining these services with Eaton components, you can rest assured knowing that your needs will be fully met.

Enabling businesses to successfully export their products to North America

Our long business partnership with SAE Schaltanlagenbau Erfurt, which has the required certifications for building control panels for export to North America, enables us to provide our customers with solutions that are ideal for use in that region. In addition to our products and to the production of control panels built in accordance with UL 508A and NFPA 79, Eaton's and SAE's range of services includes workshops designed to provide the special knowhow required to successfully export electrical equipment to North America.



CCP2 for use with Class CC, Supplemental and IEC 10 x 38 mm fuse links



Description

The revolutionary next generation Bussmann™ series Compact Circuit Protector (cat. no. CCP2) fused disconnect switch is 3/5 the footprint of a traditional fusible switch and provides up to a high 200 kA Short-Circuit Current Rating (SCCR) to help improve panel and assembly SCCR.

Standards/Approvals

- UL Class CC fuse versions
 - UL 98 Listed, Guide WHTY, File E302370
 - cULus to Canadian Standard 22.2 No 4-04, UL Guide WHTY7, File 302370
- UL Supplemental and IEC 10 x 38 mm fuse versions
 - UL 508 Listed, Guide NRNT, File E320230
 - cULus Certified 2.2 No 14-05
 - IEC 60947-3 AC-23 A
- DC Voltage UL Class CC version (CCP2-1-DCC)
 - UL 508 Listed
 - cULus Certified 2.2 No 1405
- DC IEC 10 x 38 version (CCP2-1-DCM)
 - IEC 60947-3, DC -23 A
- RoHS compliant
- CE

Technical data

- Voltage:
 - 600 V a.c. (UL Class CC)
 - 240 V a.c. (UL Supplemental)
 - 400 V a.c. (IEC 10 x 38 mm)
 - 80 V d.c. (DC Class CC, DC UL Supplemental, IEC)
- Current:
 - 30 A (UL)
 - 32 A (IEC)
- SCCR:
 - 200 kA (UL Class CC)
 - 10 kA (UL Supplemental)
 - 120 kA (IEC 10 x 38 mm max)
 - 20 kA (DC Class CC/UL)
 - 10 kA (DC UL Supplemental/IEC)
- 1-pole, 2-pole and 3-pole

Features

- Extremely compact (118 mm wide per pole) design
- High SCCR up to 200 kA (UL class CC) and 120 kA (IEC)
- Disconnect rated per load isolation
- Full voltage rated up to 600 V a.c. or 80 V d.c.
- Suitable for global installations, the switches comply with UL, cULus and IEC standards accepting UL Class CC, Supplemental or IEC aM and gG/gL 10 x 38 mm cylindrical fuse links

CCP2 for use with Class CC, Supplemental and IEC 10 x 38 mm fuse links

CCP2 range overview

	Class CC - 30 A	UL Supplemental and IEC 10 x 38 mm - 30 A and 32 A
Switch only	✓	✓
Switch with right front rotary operation	✓	✓
Switch with left front rotary operation	✓	✓
Switch with right side rotary operation	✓	✓
Switch with left side rotary operation	✓	✓
Single-pole DC switches	✓	✓

CCP2 switch only



CCP2 switch

Article number	Current rating	Number of poles	Voltage rating	Max Hp rating (V a.c.)				Pack qty
				120	240	480	600	
Class CC								
CCP2-1-30CC	30 A	1P	347 V a.c.	1/2	-	-	-	12
CCP2-2-30CC	30 A	2P	600 V a.c.	-	2	-	-	6
CCP2-3-30CC	30 A	3P	600 V a.c.	3/4	3	5	7.5	4
UL Supplemental and IEC 10 x 38 mm								
CCP2-1-30M	30 A (UL)/32 IEC*	1P	UL 240 V a.c./IEC 400 V a.c.**	-	-	-	-	12
CCP2-2-30M	30 A (UL)/32 IEC*	2P	UL 240 V a.c./IEC 400 V a.c.**	-	-	-	-	6
CCP2-3-30M	30 A (UL)/32 IEC*	3P	UL 240 V a.c./IEC 400 V a.c.**	-	-	-	-	4

12

CCP2 switch with right front rotary operation



CCP2 right front rotary switch

Article number	Current rating	Number of poles	Voltage rating	Max Hp rating (V a.c.)				Pack qty
				120	240	480	600	
Class CC								
CCP2R-2-30CC	30 A	2P	600 V a.c.	-	2	-	-	1
CCP2R-3-30CC	30 A	3P	600 V a.c.	3/4	3	5	7.5	1
UL Supplemental and IEC 10 x 38 mm								
CCP2R-2-30M	30 A (UL)/32 IEC*	1P	UL 240 V a.c./IEC 400 V a.c.**	-	-	-	-	1
CCP2R-3-30M	30 A (UL)/32 IEC*	2P	UL 240 V a.c./IEC 400 V a.c.**	-	-	-	-	1

CCP2 switch with left front rotary operation



CCP2 left front rotary switch

Article number	Current rating	Number of poles	Voltage rating	Max Hp rating (V a.c.)				Pack qty
				120	240	480	600	
Class CC								
CCP2RL-2-30CC	30 A	2P	600 V a.c.	-	2	-	-	1
CCP2RL-3-30CC	30 A	3P	600 V a.c.	3/4	3	5	7.5	1
UL Supplemental and IEC 10 x 38 mm								
CCP2RL-2-30M	30 A (UL)/32 IEC*	1P	UL 240 V a.c./IEC 400 V a.c.**	-	-	-	-	1
CCP2RL-3-30M	30 A (UL)/32 IEC*	2P	UL 240 V a.c./IEC 400 V a.c.**	-	-	-	-	1

* 32 A Class aM, 25 A class gG

** SCCR may be lower, refer to installed fuse data sheet for interrupting rating at applied voltage

See further details www.eaton.com/busmannseries, data sheet 10789

Compact circuit protector for use with Class CC, Supplemental and IEC 10 x 38 mm fuse links

CCP2 for use with Class CC, Supplemental and IEC 10 x 38 mm fuse links

CCP2 switch with right side rotary operation



Article number	Current rating	Number of poles	Voltage rating	Max Hp rating (V a.c.)				Pack qty
				120	240	480	600	
Class CC								
CCP2S-2-30CC	30 A	2P	600 V a.c.	-	2	-	-	1
CCP2S-3-30CC	30 A	3P	600 V a.c.	3/4	3	5	7.5	1
UL Supplemental and IEC 10 x 38 mm								
CCP2S-2-30M	30 A (UL)/32 IEC*	1P	UL 240 V a.c./IEC 400 V a.c.**	-	-	-	-	1
CCP2S-3-30M	30 A (UL)/32 IEC*	2P	UL 240 V a.c./IEC 400 V a.c.**	-	-	-	-	1

CCP2 right front rotary switch

CCP2 switch with left side rotary operation



Article number	Current rating	Number of poles	Voltage rating	Max Hp rating (V a.c.)				Pack qty
				120	240	480	600	
Class CC								
CCP2SL-2-30CC	30 A	2P	600 V a.c.	-	2	-	-	1
CCP2SL-3-30CC	30 A	3P	600 V a.c.	3/4	3	5	7.5	1
UL Supplemental and IEC 10 x 38 mm								
CCP2SL-2-30M	30 A (UL)/32 IEC*	1P	UL 240 V a.c./IEC 400 V a.c.**	-	-	-	-	1
CCP2SL-3-30M	30 A (UL)/32 IEC*	2P	UL 240 V a.c./IEC 400 V a.c.**	-	-	-	-	1

CCP2 left front rotary switch

* 32 A Class aM, 25 A class gG

** SCCR may be lower, refer to installed fuse data sheet for interrupting rating at applied voltage

CCP2 single-pole DC switches

Article number	Current rating	Number of poles	Voltage rating	Pack qty
Class CC				
CCP2-1-DCC	30 A	2P	80 V d.c.**	12
UL Supplemental and IEC 10 x 38 mm				
CCP2-1-DCM	30 A (UL)	1P	80 V d.c.**	12
	32 A* (IEC 10 x 38)	1P	80 V d.c.**	12

* 32 A Class aM, 25 A class gG

** SCCR may be lower, refer to installed fuse data sheet for interrupting rating at applied voltage

See further details www.eaton.com/bussmannseries, data sheet 10789

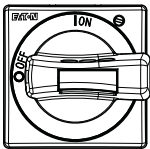
Handles and shafts CCP2 for use with Class CC, Supplemental and IEC 10 x 38 mm fuse links

(Handles and shaft are to be ordered separately)

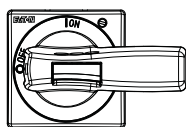
Handles mounting types overview

CCP2	Shaft square mm □	Selector handles clockwise		Selector handles counterclockwise		Pistol handles clockwise		Pistol handles counterclockwise	
		Black/Grey	Red/Yellow	Black/Grey	Red/Yellow	Black/Grey	Red/Yellow	Black/Grey	Red/Yellow
CCP2R-(pole)-30CC	8 x 8	✓	✓			✓	✓		
CCP2R-(pole)-30M	8 x 8	✓	✓			✓	✓		
CCP2RL-(pole)-30CC	8 x 8	✓	✓			✓	✓		
CCP2RL-(pole)-30M	8 x 8	✓	✓			✓	✓		
CCP2S-(pole)-30CC	8 x 8	✓	✓			✓	✓		
CCP2S-(pole)-30M	8 x 8	✓	✓			✓	✓		
CCP2SL-(pole)-30CC	8 x 8			✓	✓			✓	✓
CCP2SL-(pole)-30M	8 x 8			✓	✓			✓	✓

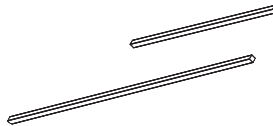
Selector and pistol handles clockwise



Selector handle
CCP2-H4X-B1



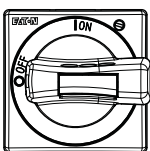
Pistol handle
CCP2-H4X-B2



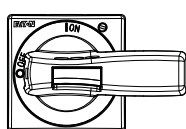
Shafts
CCP-SH1

CCP2 class CF	Description	Selector handles		Pistol handles		Metal shafts		Pack qty	
		Handle colours		Handle colours		Shaft mm□	Shaft length		
		Black/Grey	Red/Yellow	Black/Grey	Red/Yellow		290 mm		490 mm
CCP2R-(pole)-30CC	Right front rotary switch clockwise handle					8 x 8			1
CCP2R-(pole)-30M		CCP2-H4X-B1	CCP2-H4X-R1	CCP2-H4X-B2	CCP2-H4X-R2		CCP2-SH1-290	CCP2-SH1-490	1
CCP2RL-(pole)-30CC									1
CCP2RL-(pole)-30M	Left front rotary switch clockwise handle					8 x 8			1
CCP2S-(pole)-30CC		CCP2-H4X-B1	CCP2-H4X-R1	CCP2-H4X-B2	CCP2-H4X-R2		CCP2-SH1-290	CCP2-SH1-490	1
CCP2S-(pole)-30M									1
CCP2S-(pole)-30CF	Right side rotary switch, clockwise handle					8 x 8			1
CCP2S-(pole)-60CF		CCP2-H4X-B1	CCP2-H4X-R1	CCP2-H4X-B2	CCP2-H4X-R2		CCP2-SH1-290	CCP2-SH1-490	1
CCP2S-(pole)-100CF									1

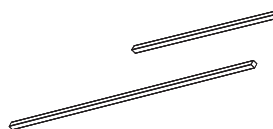
Selector and pistol counterclockwise handles



Selector handle
CCP2-H4X-B1L



Pistol handle
CCP2-H4X-B2L



Shafts
CCP-SH1

CCP2 Class CF	Description	Selector handles		Pistol handles		Metal shafts		Pack qty	
		Handle colours		Handle colours		Shaft mm□	Shaft length		
		Black/Grey	Red/Yellow	Black/Grey	Red/Yellow		290 mm		490 mm
CCP2SL-(pole)-30CC	Left side rotary switch, counterclockwise handle					8 x 8			1
CCP2SL-(pole)-30M		CCP2-H4X-B1L	CCP2-H4X-R1L	CCP2-H4X-B2L	CCP2-H4X-R2L		CCP2-SH1-290	CCP2-SH1-490	1

See further details www.eaton.com/bussmannseries, data sheet 10789

Accessories for CCP2 for use with Class CC, Supplemental and IEC 10 x 38 mm fuse links

Multi-wire lug kits



CCP2-MW1-3

Article number	Description	Suitable for CCP2	Pack qty
CCP2-MW1-3	3-port multi-wire, 75°C Cu.Al, 6-14 includes terminal shield	30 A	3

Terminal shrouds



CCP2-TS1-3

Article number	Suitable for CCP2	Pack qty
CCP2-TS1-3	30 A	3

12 Auxiliary contacts



CCP2-AUX

Article number	Description	Suitable for CCP2	CCP Type	Pack qty
	NO + NC, 5A /240 V a.c.	CCP2-(poles)-30CC	Switch only	3
		CCP2-(poles)-30M		
CCP2-AUX	NO + NC, 5A /240 V a.c.	CCP2RL-(poles)-30CC	Left front rotary switch	3
		CCP2RL-(poles)-30M		
	NO + NC, 5A /240 V a.c., mounts on right side	CCP2SL-(poles)-30CC	Left side rotary switch	3
		CCP2SL-(poles)-30M		

Technical data for CCP2 for use with Class CC, Supplemental and IEC 10 x 38 mm fuse links

CCP 30 A	UL Class CC	UL Supplemental	IEC	DC
Rated voltage	600 V a.c.	240 V a.c.	400 V a.c.	80 V d.c.
Rated current	30 A	30 A	32 A	30 A UL / 32 A IEC
SCCR	200 k	10 kA	120 kA	20 kA DC Class CC/UL 10 kA DC UL Supplemental/IEC
Poles	1-, 2- and 3-pole	1-, 2- and 3-pole	1-, 2- and 3-pole	1-pole
Conductors/terminals	75oC Cu/Ai, see conductors table below for size, type and torque information Box lug, single/dual indicator Fork terminal suitable for line, load or accessory connection Multi-wire lug kit			
Local open fuse indication minimum voltage Open fuse indication requires an open fuse to be in the CCP2 and the switch in the ON position	90 V a.c.	90 V a.c.	90 V a.c.	12 V d.c..
Storage and operating temperature	-20°C to 75°C For fuse performance under or above 25oC, consult fuse performance derating charts in the Bussmann division publication no 3002, titled Selecting Protection Devices (SPD)			
Lockout/tagout provisions	Switch only - 4 mm lock or Brady pin-out device part number 90850 Switch with rotary operating mechanism - 1/4" lock			
Mounting	35 mm DIN-Rail			
Data sheet	10789			
Agency information	UL 98 Listed, Guide WHTY File E302370 cULus to Canadian standard 22.2 No 4-04 UL Guide WHTY7 File E302370	UL 508 Listed, Guide NRNT, File E320230 cULus Certified 22.2 No 14-05 IEC 60947-3, AC-23 A	UL 508 Listed, Guide NRNT, File E320230 cULus Certified 22.2 No 14-05 IEC 60947-3, AC-23 A	DC Voltage UL Class CC (CC2-1-DCC): UL 508 Listed, cULus 22.2, No 1405 DC IEC 10 x 38 version (CCP2-1-DCM): IEC 60947-3, DC-23 A

Box lug terminal conductor data

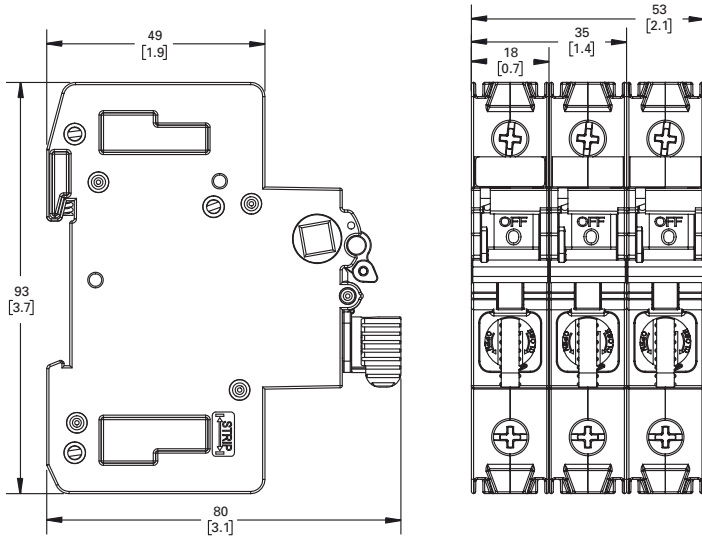
Type	AWG range	Class	Quantity	Torque N•m (lb-in)
Cu	4-18	Stranded, Class B to K	Single	2.26 (20)
	6-8	Stranded, Class B/C	Dual	3.39 (30)
	6-8	Stranded, Class K	Dual	2.26 (20)
	10-18	Stranded, Class B to K		
	10-18	Solid	Single/dual	
	4-18	Stranded, UL ferrule, Class B/C	Single	3.39 (30)
	6-18		Twin†	
	4-18	Stranded, UL ferrule, Class K	Single	2.82 (25)
	6-18		Twin†	
	Al	4-8	Stranded	Single
6		Dual		2.82 (25)
8				2.26 (20)

† Two stranded conductors placed in one UL Listed twin ferrule.

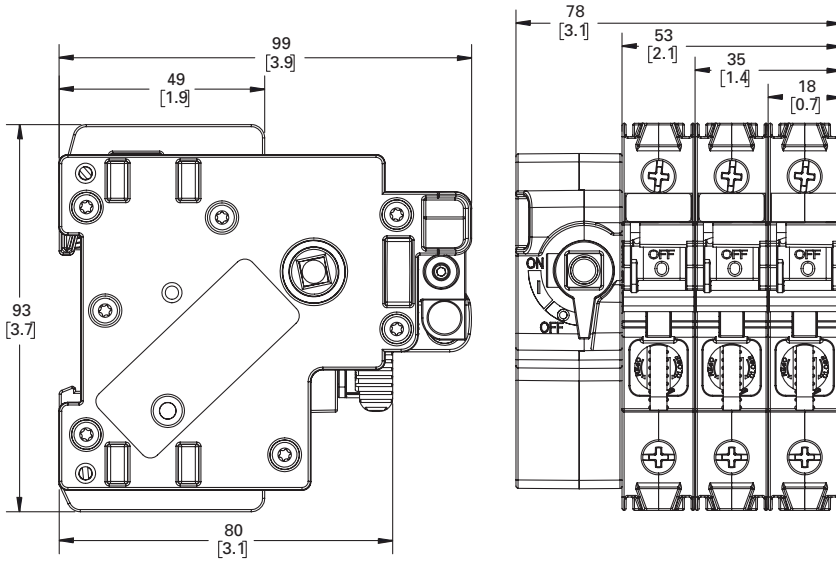
Outline drawings for CCP2 for use with Class CC, Supplemental and IEC 10 x 38 mm fuse links

(Dimensions are in mm (in))

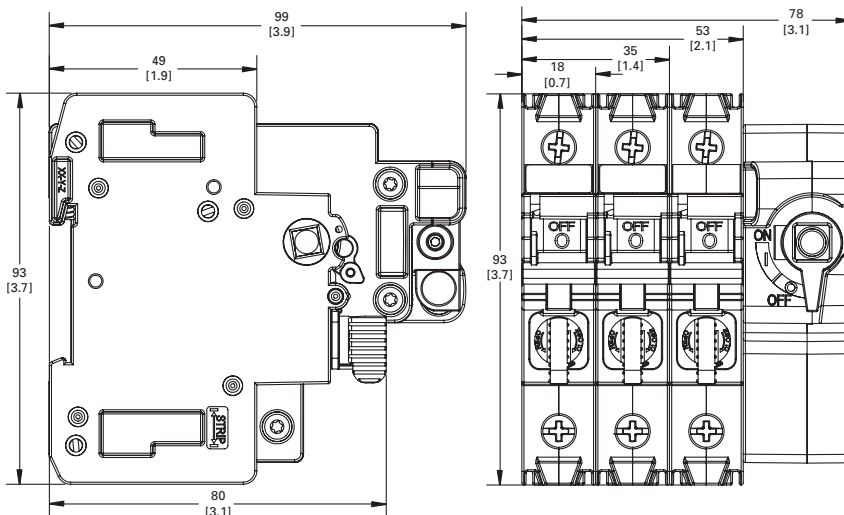
Switch only



12 Left front rotary switches



Right front rotary switches

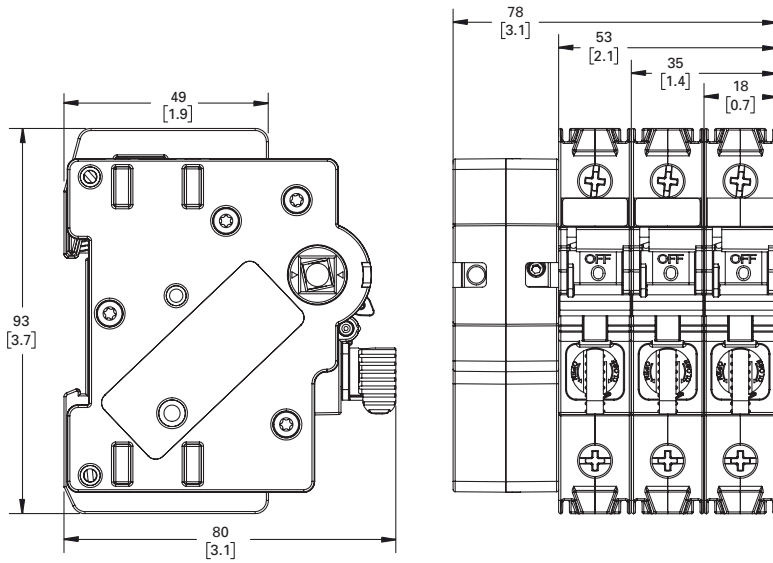


See further details www.eaton.com/bussmannseries, data sheet 10789

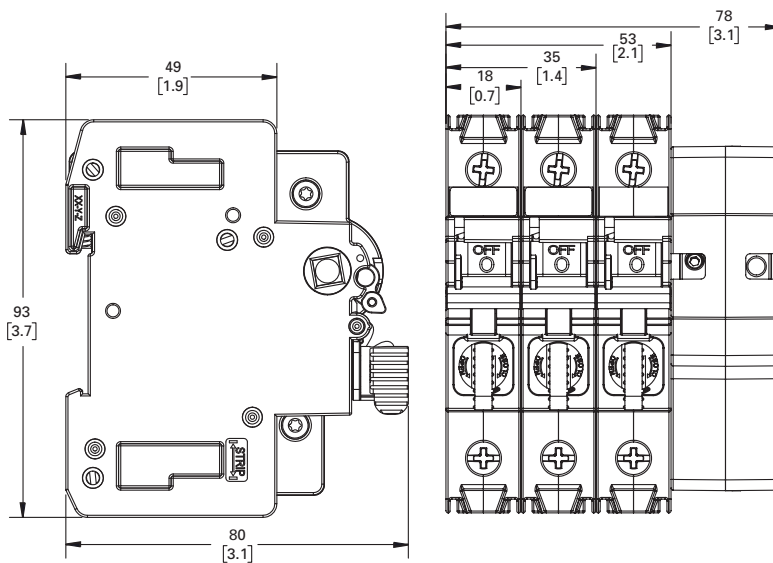
Outline drawings for CCP2 for use with Class CC, Supplemental and IEC 10 x 38 mm fuse links

(Dimensions are in mm (in))

Left side rotary switches



Right side rotary switches



CCP2 Class CC Compatible Eaton's Bussmann series fuse links

Low-Peak™ LP-CC Class CC 600 V a.c./300 V d.c. 1/2-30 A time-delay fuse links



CCP Class CC	Compatible LP-CC fuse links			
Article number	Article number	Current (Amps)	Voltage	Pack qty
	LP-CC-1/2	0.5	600 V a.c./300 V d.c.	10
	LP-CC-6/10	0.6		10
	LP-CC-8/10	0.8		10
	LP-CC-1	1		10
	LP-CC-1-1/8	1.1.25		10
	LP-CC-1-1/4	1.25		10
	LP-CC-1-4/10	1.4		10
	LP-CC-1-1/2	1.5		10
	LP-CC-1-6-10	1.6		10
	LP-CC-1-8/10	1.8		10
	LP-CC-2	2		10
	LP-CC-2/1/4	2.25		10
	LP-CC-2-1/2	2.5		10
	LP-CC-2-8/10	2.8		10
CCP2-(poles)-30CC	LP-CC-3	3	600 V a.c./150 V d.c.	10
CCP2R-(poles)-30CC	LP-CC-3-2/10	3.2		10
CCP2RL-(poles)-30CC	LP-CC-3-1/2	3.5		10
CCP2S-(poles)-30CC	LP-CC-4	4		10
CCP2L-(poles)-30CC	LP-CC-4-1/2	4.5		10
CCP2-1-DCC	LP-CC-5	5		10
	LP-CC-5-6/10	5.6		10
	LP-CC-6	6		10
	LP-CC-6-1/4	6.25		10
	LP-CC-7	7		10
	LP-CC-7-1/2	7.5		10
	LP-CC-8	8		10
	LP-CC-9	9		10
	LP-CC-10	10		10
	LP-CC-12	12		10
	LP-CC-15	15		10
	LP-CC-20	20	600 V a.c./300 V d.c.	10
	LP-CC-25	25		10
	LP-CC-30	30		10

See further details www.eaton.com/bussmannseries, data sheet 1023

CCP2 Class CC Compatible Eaton's Bussmann series fuse links

LIMITRON™ FNQ-R Class CC 600 V a.c., 1/4-30 A, time-delay fuse links



CCP Class CC		Compatible FNQ-R fuse links		
Article number	Article number	Current (Amps)	Voltage	Pack qty
	FNQ-R-1/4	0.25	600 V a.c.	10
	FNQ-R-3/10	0.3		10
	FNQ-R-4/10	0.4		10
	FNQ-R-1/2	0.5		10
	FNQ-R-6-10	0.6		10
	FNQ-R-3/4	0.75		10
	FNQ-R-8/10	0.8		10
	FNQ-R-1	1		10
	FNQ-R-1-1/8	1.125		10
	FNQ-R-1-1/4	1.25		10
	FNQ-R-1-3/10	1.3		10
	FNQ-R-1-4/10	1.4		10
	FNQ-R-1-1/2	1.5		10
	FNQ-R-1-6/10	1.6		10
	FNQ-R-1-8/10	1.8		10
	FNQ-R-2	2		10
	FNQ-R-2-1/4	2.25		10
	FNQ-R-2-1/2	2.5		10
	FNQ-R-2-8/10	2.8		10
	FNQ-R-3	3		10
	FNQ-R-3-2/10	3.2		10
	FNQ-R-3-1/2	3.5		10
	FNQ-R-4	4		10
	FNQ-R-4-1/2	4.5		10
	FNQ-R-5	5		10
	FNQ-R-5-6/10	5.6		10
	FNQ-R-6	6		10
	FNQ-R-6-1/4	6.25		10
	FNQ-R-7	7		10
	FNQ-R-7-1/2	7.5		10
	FNQ-R-8	8		10
	FNQ-R-9	9		10
	FNQ-R-10	10		10
	FNQ-R-12	12		10
	FNQ-R-15	15	600 V a.c./300 V d.c.	10
	FNQ-R-17-1/2	17.5	600 V a.c.	10
	FNQ-R-20	20	600 V a.c./300 V d.c.	10
	FNQ-R-25	25	600 V a.c.	10
	FNQ-R-30	30		10

- CCP2-(poles)-30CC
- CCP2R-(poles)-30CC
- CCP2RL-(poles)-30CC
- CCP2S-(poles)-30CC
- CCP2L-(poles)-30CC
- CCP2-1-DCC

See further details www.eaton.com/bussmannseries, data sheet 1014

CCP2 Class CC Compatible Eaton's Bussmann series fuse links

LIMITRON™ KTK-R Class CC 600 V a.c., 1/10-30 A, fast-acting fuse links



CCP Class CC		Compatible KTK-R fuse links		
Article number	Article number	Current (Amps)	Voltage	Pack qty
	KTK-R-1/10	0.1	600 V a.c.	10
	KTK-R-1/8	0.125		10
	KTK-R-2/10	0.2		10
	KTK-R-1/4	0.25		10
	KTK-R-3/10	0.3		10
	KTK-R-4/10	0.4		10
	KTK-R-1/2	0.5		10
	KTK-R-6/10	0.6		10
	KTK-R-3/4	0.75		10
	KTK-R-1	1		10
CCP2-(poles)-30CC	KTK-R-1-1/2	1.5		10
CCP2R-(poles)-30CC	KTK-R-2	2		10
CCP2RL-(poles)-30CC	KTK-R-2-1/2	2.5		10
CCP2S-(poles)-30CC	KTK-R-3	3		10
CCP2L-(poles)-30CC	KTK-R-3-1/2	3.5		10
CCP2-1-DCC	KTK-R-4	4		10
	KTK-R-5	5		10
	KTK-R-6	6		10
	KTK-R-7	7		10
	KTK-R-8	8		10
	KTK-R-9	9		10
	KTK-R-10	10		10
	KTK-R-12	12		10
	KTK-R-15	15		10
	KTK-R-20	20		10
	KTK-R-25	25		10
	KTK-R-30	30		10

See further details www.eaton.com/bussmannseries, data sheet 1015

CCP2 UL Supplemental Compatible Eaton's Bussmann series fuse links

FNM 13/32" x 1-1/2" 250 V a.c. time-delay supplemental fuse links



CCP UL Supplemental		Compatible FNM fuse links		
Article number	Article number	Current (Amps)	Voltage	Pack qty
	FNM-1-10	0.1	250 V a.c.	10
	FNM-1-8	0.125		10
	FNM-15/100	0.15		10
	FNM-2/10	0.2		10
	FNM-1/4	0.25		10
	FNM-3/10	0.3		10
	FNM-4/10	0.4		10
	FNM-1/2	0.5		10
	FNM-6/10	0.6		10
	FNM-3-4	0.75		10
	FNM-8/10	0.8		10
	FNM-1	1		10
	FNM-1-1/8	1.125		10
	FNM-1-1/4	1.25		10
	FNM-1-4/10	1.4		10
	FNM-1-1/2	1.5		10
	FNM-1-6/10	1.6		10
	FNM-1-8/10	1.8		10
	FNM-1	1		10
	FNM-2-1/4	2.25		10
	FNM-2-1/2	2.5		10
	FNM-2-8/10	2.8		10
	FNM-3	3		10
	FNM-3-2/10	3.2		10
	FNM-3-1/2	3.5		10
	FNM-4	4		10
	FNM-4-1/2	4.5		10
	FNM-5	5		10
	FNM-5-6/10	5.6		10
	FNM-6	6		10
	FNM-6-1/4	6.25		10
	FNM-7	7		10
	FNM-8	8		10
	FNM-9	9		10
	FNM-10	10		10
	FNM-12	12		10
	FNM-15	15		10
	FNM-20	20		10
	FNM-25	25		10
	FNM-30	30		10

CCP2-(poles)-30M

CCP2R-(poles)-30M

CCP2RL-(poles)-30M

CCP2S-(poles)-30M

CCP2L-(poles)-30M

CCP2-1-DCM

See further details www.eaton.com/bussmannseries, data sheet 2028

CCP2 UL Supplemental Compatible Eaton's Bussmann series fuse links

FNQ 13/32" x 1-1/2" 500 V a.c. time-delay supplemental fuse links



CCP UL Supplemental	Compatible FNQ fuse links			Pack qty
Article number	Article number	Current (Amps)	Voltage	
	FNQ-1-10	0.1	500 V a.c..	10
	FNQ-1-8	0.125		10
	FNQ-15/100	0.15		10
	FNQ-3-16	0.1875		10
	FNQ-2-10	0.2		10
	FNQ-1-4	0.25		10
	FNQ-3/10	0.3		10
	FNQ-4/10	0.4		10
	FNQ-1/2	0.5		10
	FNQ-6/10	0.6		10
	FNQ-8/10	0.8		10
	FNQ-1	1		10
	FNQ-1-1/8	1.125		10
	FNQ-1-1/4	1.25		10
	FNQ-1-1/2	1.5		10
CCP2-(poles)-30M	FNQ-2	2		10
CCP2R-(poles)-30M	FNQ-2-1/4	2.25		10
CCP2RL-(poles)-30M	FNQ-2-1/2	2.5		10
CCP2S-(poles)-30M	FNQ-3	3		10
CCP2L-(poles)-30M	FNQ-3-2/10	3.2		10
CCP2-1-DCM	FNQ-3-1/2	3.5		10
	FNQ-4	4		10
	FNQ-4-1/2	4.5		10
	FNQ-5	5		10
	FNQ-5-6/10	5.6		10
	FNQ-6	6		10
	FNQ-6-1/4	6.25		10
	FNQ-7	7		10
	FNQ-8	8		10
	FNQ-9	9		10
	FNQ-10	10		10
	FNQ-12	12		10
	FNQ-14	14		10
	FNQ-15	15		10
	FNQ-20	20		10
	FNQ-25	25		10
	FNQ-30	30		10

See further details www.eaton.com/bussmannseries, data sheet 1012

CCP2 UL Supplemental Compatible Eaton’s Bussmann series fuse links

KTK 13/32” x 1-1/2” 600 V a.c. fast-acting supplemental fuse links



CCP UL Supplemental		Compatible KTK fuse links		
Article number	Article number	Current (Amps)	Voltage	Pack qty
	KTK-1/10	0.1	600 V a.c..	10
	KTK-1/8	0.125		10
	KKT-2-10	0.2		10
	KTK-1/4	0.25		10
	KTK-3-10	0.3		10
	KTK-4/10	0.4		10
	KKT-1/2	0.5		10
	KTK-6/10	0.6		10
	KTK-3/4	0.75		10
	KTK-1	1		10
CCP2-(poles)-30M	KTK-1-1/4	1.25		10
CCP2R-(poles)-30M	KTK-1-1/2	1.5		10
CCP2RL-(poles)-30M	KTK-2	2		10
CCP2S-(poles)-30M	KTK-2-1/2	2.5		10
CCP2L-(poles)-30M	KTK-3	3		10
CCP2-1-DCM	KTK-3-1/2	3.5		10
	KTK-4	4		10
	KTK-5	5		10
	KTK-6	6		10
	KTK-7	7		10
	KTK-7-1/2	7.5		10
	KTK-8	8		10
	KTK-9	9		10
	KTK-10	10		10
	KTK-12	12		10
	KTK-15	15		10
	KTK-20	20		10
	KTK-25	25		10
	KTK-30	30		10

See further details www.eaton.com/bussmannseries, data sheet 1011

CCP2 UL Supplemental Compatible Eaton's Bussmann series fuse links

KLM 13/32" x 1-1/2" 600V a.c./V d.c. fast-acting supplemental fuse links



CCP UL Supplemental	Compatible KLM fuse links			Pack qty
Article number	Article number	Current (Amps)	Voltage	
	KLM-1/10	0.1	600 V a.c./V d.c.	10
	KLM-1-8	0.125		10
	KLM-2/10	0.2		10
	KLM-1/4	0.25		10
	KLM-3/10	0.3		10
	KLM-1/2	0.5		10
	KLM-3/4	0.75		10
	KLM-1	1		10
	KLM-1-1/4	1.25		10
CCP2-(poles)-30M	KLM-1-1/2	1.5		10
CCP2R-(poles)-30M	KLM-2	2		10
CCP2RL-(poles)-30M	KLM-2-1/2	2.5		10
CCP2S-(poles)-30M	KLM-3	3		10
CCP2L-(poles)-30M	KLM-4	4		10
	KLM-5	5		10
CCP2-1-DCM	KLM-6	6		10
	KLM-7	7		10
	KLM-8	8		10
	KLM-9	9		10
	KLM-10	10		10
	KLM-12	12		10
	KLM-15	15		10
	KLM-20	20		10
	KLM-25	25		10
	KLM-30	30		10

See further details www.eaton.com/bussmannseries, data sheet 2020

CCP2 IEC 10 x 38 mm Compatible Eaton's Bussmann series fuse links

C10G 0.5 to 25 A, 500 V a.c., class gG/gL IEC cylindrical fuse links



CCP IEC 10 x 38 mm	Compatible C10G fuse links			Pack qty
Article number	Article number	Current (Amps)	Voltage	
CCP2-(poles)-30M	C10G0-5	0.5	250 V a.c.	10
	C10G1	1		10
	C10G2	2		10
	C10G4	4		10
	C10G6	6		10
	C10G8	8		10
	C10G10	10		10
	C10G12	12		10
	C10G16	16		10
	C10G20	20		10
CCP2-1-DCM	C10G25	25		10

See further details www.eaton.com/bussmannseries, data sheet 720115

C10M 0.5 to 25 A, 500 V a.c., class aM IEC cylindrical fuse links



CCP IEC 10 x 38 mm	Compatible C10M fuse links			Pack qty
Article number	Article number	Current (Amps)	Voltage	
CCP2-(poles)-30M	C10M0-5	0.5	5000 V a.c.	10
	C10M1	1		10
	C10M2	2		10
	C10M4	4		10
	C10M6	6		10
	C10M8	8		10
	C10M10	10		10
	C10M12	12		10
	C10M16	16		10
	C10M20	20	400 V a.c.	10
CCP2-1-DCM	C10M25	25		10

See further details www.eaton.com/bussmannseries, data sheet 720115

Article number	Part number	Description	Page
172789	DMM-160/3N/15/P-B	DMM - 160 A 3-pole + solid neutral enclosed with blue padlockable handle	22
172790	DMM-160/3N/15/P-G	DMM - 160 A 3-pole + solid neutral enclosed with grey padlockable handle	22
172791	DMM-160/3N/15/P-R	DMM - 160 A 3-pole + solid neutral enclosed with red/yellow padlockable handle	22
172792	DMM-160/3/15/P-B	DMM - 160 A 3-pole enclosed with blue padlockable handle	22
172793	DMM-160/3/15/P-G	DMM - 160 A 3-pole enclosed with grey padlockable handle	22
172794	DMM-160/3/15/P-R	DMM - 160 A 3-pole enclosed with red/yellow padlockable handle	22
172795	DMM-160/4/15/P-B	DMM - 160 A 4-pole enclosed with blue padlockable handle	22
172796	DMM-160/4/15/P-G	DMM - 160 A 4-pole enclosed with grey padlockable handle	22
172797	DMM-160/4/15/P-R	DMM - 160 A 4-pole enclosed with red/yellow padlockable handle	22
172798	DMM-160/3N/15/C-B	DMM - 160 A 3-pole + solid neutral enclosed with blue cylinder lock handle	23
172799	DMM-160/3N/15/C-G	DMM - 160 A 3-pole + solid neutral enclosed with grey cylinder lock handle	23
172800	DMM-160/3N/15/C-R	DMM - 160 A 3-pole + solid neutral enclosed with red/yellow cylinder lock handle	23
172801	DMM-160/3/15/C-B	DMM - 160 A 3-pole enclosed with blue cylinder lock handle	23
172802	DMM-160/3/15/C-G	DMM - 160 A 3-pole enclosed with grey cylinder lock handle	23
172803	DMM-160/3/15/C-R	DMM - 160 A 3-pole enclosed with red/yellow cylinder lock handle	23
172804	DMM-160/4/15/C-B	DMM - 160 A 4-pole enclosed with blue cylinder lock handle	23
172805	DMM-160/4/15/C-G	DMM - 160 A 4-pole enclosed with grey cylinder lock handle	23
172806	DMM-160/4/15/C-R	DMM - 160 A 4-pole enclosed with red/yellow cylinder lock handle	23
172846	DMM-125/3N/15/P-B	DMM - 125 A 3-pole + solid neutral enclosed with blue padlockable handle	22
172847	DMM-125/3N/15/P-G	DMM - 125 A 3-pole + solid neutral enclosed with grey padlockable handle	22
172848	DMM-125/3N/15/P-R	DMM - 125 A 3-pole + solid neutral enclosed with red/yellow padlockable handle	22
172849	DMM-125/3/15/P-B	DMM - 125 A 3-pole enclosed with blue padlockable handle	22
172850	DMM-125/3/15/P-G	DMM - 125 A 3-pole enclosed with grey padlockable handle	22
172851	DMM-125/3/15/P-R	DMM - 125 A 3-pole enclosed with red/yellow padlockable handle	22
172852	DMM-125/4/15/P-B	DMM - 125 A 4-pole enclosed with blue padlockable handle	22
172853	DMM-125/4/15/P-G	DMM - 125 A 4-pole enclosed with grey padlockable handle	22
172854	DMM-125/4/15/P-R	DMM - 125 A 4-pole enclosed with red/yellow padlockable handle	22
172855	DMM-125/3N/15/C-B	DMM - 125 A 3-pole + solid neutral enclosed with blue cylinder lock handle	23
172856	DMM-125/3N/15/C-G	DMM - 125 A 3-pole + solid neutral enclosed with grey cylinder lock handle	23
172857	DMM-125/3N/15/C-R	DMM - 125 A 3-pole + solid neutral enclosed with red/yellow cylinder lock handle	23
172858	DMM-125/3/15/C-B	DMM - 125 A 3-pole enclosed with blue cylinder lock handle	23
172859	DMM-125/3/15/C-G	DMM - 125 A 3-pole enclosed with grey cylinder lock handle	23
172860	DMM-125/3/15/C-R	DMM - 125 A 3-pole enclosed with red/yellow cylinder lock handle	23
172861	DMM-125/4/15/C-B	DMM - 125 A 4-pole enclosed with blue cylinder lock handle	23
172862	DMM-125/4/15/C-G	DMM - 125 A 4-pole enclosed with grey cylinder lock handle	23
172863	DMM-125/4/15/C-R	DMM - 125 A 4-pole enclosed with red/yellow cylinder lock handle	23
184914	DDC-63/2/15/P-R	DDC - 63 A 2-pole in CI-K enclosure with red/yellow padlockable handle	88
184915	DDC-63/2/15/P-G	DDC - 63 A 2-pole in CI-K enclosure with grey padlockable handle	88
184916	DDC-80/2/15/P-R	DDC - 80 A 2-pole in CI-K enclosure with red/yellow padlockable handle	88
184917	DDC-80/2/15/P-G	DDC - 80 A 2-pole in CI-K enclosure with grey padlockable handle	88
184918	DDC-100/2/15/P-R	DDC - 100 A 2-pole in CI-K enclosure with red/yellow padlockable handle	88
184919	DDC-100/2/15/P-G	DDC - 100 A 2-pole in CI-K enclosure with grey padlockable handle	88
400894	EXTENDED-COVERDMVS160N/400N	Extended cover for DMVS160N/400N	12
1050240	4K10K3H135	DMV - 135 mm operating shaft for A type K3 handle	9
		DMV - 135 mm operating shaft for C type K3 handle	10
		DMV - 135 mm operating shaft for D/C type K3 handle	11
		DMV - 135 mm operating shaft for D/P type K3 handle	11
		Multipole mechanisms - 135 mm operating shaft for A type K3 handle	46
		Multipole mechanisms - 135 mm operating shaft for D/C type K3 handle	47
		Multipole mechanisms - 135 mm operating shaft for D/P type K3 handle	46

Article number	Part number	Description	Page
1050242	4K10K3H245	DMV - 245 mm operating shaft for A type K3 handle	9
		DMV - 245 mm operating shaft for C type K3 handle	10
		DMV - 245 mm operating shaft for D/C type K3 handle	11
		DMV - 245 mm operating shaft for D/P type K3 handle	11
		Multipole mechanisms - 245 mm operating shaft for A type K3 handle	46
		Multipole mechanisms - 245 mm operating shaft for D/C type K3 handle	47
		Multipole mechanisms - 245 mm operating shaft for D/P type K3 handle	46
1050243	4K10K3H400	DMV - 400 mm operating shaft for A type K3 handle	9
		DMV - 400 mm operating shaft for C type K3 handle	10
		DMV - 400 mm operating shaft for D/C type K3 handle	11
		DMV - 400 mm operating shaft for D/P type K3 handle	11
		Multipole mechanisms - 400 mm operating shaft for A type K3 handle	46
		Multipole mechanisms - 400 mm operating shaft for D/C type K3 handle	47
		Multipole mechanisms - 400 mm operating shaft for D/P type K3 handle	46
1050244	4K14K5H200	DMV - 200 mm operating shaft for A type K5 handle	9
		DMV - 200 mm operating shaft for C type K5 handle	10
		DMV - 200 mm operating shaft for D/C type K5 handle	11
		DMV - 200 mm operating shaft for D/P type K5 handle	11
		Multipole mechanisms - 200 mm operating shaft for A type K5 handle	46
		Multipole mechanisms - 200 mm operating shaft for D/C type K5 handle	47
		Multipole mechanisms - 200 mm operating shaft for D/P type K5 handle	46
1050247	4K14K5H400	DMV - 400 mm operating shaft for A type K5 handle	9
		DMV - 400 mm operating shaft for C type K5 handle	10
		DMV - 400mm operating shaft for D/C type K5 handle	11
		DMV - 400mm operating shaft for D/P type K5 handle	11
		Multipole mechanisms - 400 mm operating shaft for A type K5 handle	47
		Multipole mechanisms - 400 mm operating shaft for D/C type K5 handle	47
		Multipole mechanisms - 400 mm operating shaft for D/P type K5 handle	46
1050248	4K14K6H200	Change-over mechanisms - 200 mm operating shaft for A type K6 handle	38
		Change-over mechanisms - 200 mm operating shaft for D/P type K5 handle	39
		DMV - 200 mm operating shaft for A type K6 handle	9
		DMV - 200 mm operating shaft for C type K6 handle	10
		DMV - 200 mm operating shaft for D/C type K6 handle	11
		DMV - 200 mm operating shaft for D/P type K6 handle	11
		1050250	4K14K6H400
Change-over mechanisms - 400 mm operating shaft for D/P type K5 handle	39		
DMV - 400 mm operating shaft for A type K6 handle	9		
DMV - 400 mm operating shaft for C type K6 handle	10		
DMV - 400 mm operating shaft for D/C type K6 handle	11		
DMV - 400 mm operating shaft for D/P type K6 handle	11		
1050251	4K10H185COK3	Change-over mechanisms - 185 mm operating shaft for A type K3 handle	38
		Change-over mechanisms - 185 mm operating shaft for D/P type K3 handle	39
1050252	4K10H400COK3	Change-over mechanisms - 400 mm operating shaft for A type K3 handle	38
		Change-over mechanisms - 400 mm operating shaft for D/P type K3 handle	39
1050253	4K14H230COK5	Change-over mechanisms - 230 mm operating shaft for A type K5 handle	38
		Change-over mechanisms - 230 mm operating shaft for D/P type K5 handle	39
1050254	4K14H400COK5	Change-over mechanisms - 400 mm operating shaft for A type K5 handle	38
		Change-over mechanisms - 400 mm operating shaft for D/P type K5 handle	39
1050256	K6100VERL	DMV - 100 mm shaft extension kit for extending shaft length	12

Article number	Part number	Description	Page
1050257	K6200VERL	DMV - 200 mm shaft extension kit for extending shaft length	12
1059849	LOCKMULTIPLIER-K1-6	DDC - Multi locking device for accommodating up to 3 additional padlocks	91
1314002	DCM-63/1-SK+HC	DCM - 63 A 3-pole + solid neutral with horizontal cable connection	31
1314003	DCM-63/1-SK+VC	DCM - 63 A 3-pole + solid neutral with vertical cable connection	31
1314004	DCM-63/1	DCM - 63 A 3-pole + solid neutral with integrated black rotary handle	31
1314005	DCM-63/1+CM	DCM - 63 A 3-pole + solid neutral with shaft and handle	31
1314006	DCM-63/4	DCM - 63 A 4-pole with integrated black rotary handle	31
1314007	DCM-63/4+CM	DCM - 63 A 4-pole with shaft and handle	31
1314009	DCM-63/4-SK+FM	DCM - 63 A 4-pole with front mounting connection	31
1314015	DCM-63/4-SK+HC	DCM - 63 A 4-pole + solid neutral with horizontal cable connection	31
1314016	DCM-63/4-SK+VC	DCM - 63 A 4-pole with vertical cable connection	31
1314031	KITM6X20	DMV - Spare connection kits for DMV 160N	12
1314039	MPDMV250N/400N	Multipole mechanism for DMVS 160N, DMV 250N and DMV 400N	45
1314040	MPDMV630N/1000N	Multipole mechanism for DMV 630N and DMV 1000N	45
1314052	DMM-40/1-SK	DMM - 40 A 3-pole + solid neutral without shaft and knob	21
1314053	DMM-40/4-SK	DMM - 40 A 4-pole + solid neutral without shaft and knob	21
1314054	DMM-40/1+SK	DMM - 40 A 3-pole + solid neutral with shaft and knob	22
1314055	DMM-40/4+SK	DMM - 40 A 4-pole with shaft and knob	22
1314056	DMM-40/1	DMM - 40 A 3-pole + solid neutral with black rotary handle	21
1314057	DMM-40/4	DMM - 40 A 4-pole with black rotary handle	21
1314104	DCM-40/1-SK+HC	DCM - 40 A 3-pole + solid neutral with horizontal cable connection	31
1314105	DCM-40/1-SK+VC	DCM - 40 A 3-pole + solid neutral with vertical cable connection	31
1314106	DCM-40/1	DCM - 40 A 3-pole + solid neutral with integrated black rotary handle	31
1314107	DCM-40/1+CM	DCM - 40 A 3-pole + solid neutral with shaft and handle	31
1314108	DCM-40/4-SK+HC	DCM - 40 A 4-pole + solid neutral with horizontal cable connection	31
1314109	DCM-40/4-SK+VC	DCM - 40 A 4-pole with vertical cable connection	31
1314110	DCM-40/4	DCM - 40 A 4-pole with integrated black rotary handle	31
1314111	DCM-40/4+CM	DCM - 40 A 4-pole with shaft and handle	31
1314112	DCM-40/1-SK+FM	DCM - 40 A 3-pole + solid neutral with front mounting connection	31
1314113	DCM-40/4-SK+FM	DCM - 40 A 4-pole with front mounting connection	31
1314157	DMM-63/1-SK	DMM - 63 A 3-pole + solid neutral without shaft and knob	21
1314158	DMM-63/4-SK	DMM - 63 A 4-pole without shaft and knob	21
1314159	DMM-63/1+SK	DMM - 63 A 3-pole + solid neutral with shaft and knob	22
1314160	DMM-63/4+SK	DMM - 63 A 4-pole with shaft and knob	22
1314161	DMM-63/1	DMM - 63 A 3-pole + solid neutral with black rotary handle	21
1314162	DMM-63/4	DMM - 63 A 4-pole with black rotary handle	21
1314203	DMM-125/1-SK	DMM - 125 A 3-pole + solid neutral without shaft and knob	21
1314204	DMM-125/4-SK	DMM - 125 A 4-pole without shaft and knob	21
1314206	DMM-125/1+CM	DMM - 125 A 3-pole + solid neutral with shaft and knob	22
1314207	DMM-125/4+CM	DMM - 125 A 4-pole with shaft and knob	22
1314210	DMM-125/1	DMM - 125 A 3-pole + solid neutral with black rotary handle	21
1314211	DMM-125/4	DMM - 125 A 4-pole with black rotary handle	21
1314230	COVERDMV160	DMV - Transparent terminal cover for DMV 160N	12
1314232	SETDMM125	DMM - Connection set	26
1314300	AUX1N0+1NCDCM/DMM	DCM - Auxiliary switch set	33
		DMM - Auxiliary switch set	26
1314301	AUX2N0+2NCDCM/DMM	DCM - Auxiliary switch set	33
		DMM - Auxiliary switch set	26
1314314	CODMV160N	Change-over mechanism for DMV 160N	37
1314320	SETDMV160N	Bridge connector set for DMV 160N	37

Article number	Part number	Description	Page
1314330	COVERDCM/DMM125	DMM - Transparent terminal cover for DMM 125 and DMM 160	26
1314331	COVERDCM/DMM40/63	DCM - Transparent terminal cover for DCM 40 and DCM 63	33
		DMM - Transparent terminal cover for DMM 40 and DMM 63	26
1314334	4K6172MMDCM/DMM	DCM - 156 mm operating shaft for A type K1 handle	32
		DCM - 156 mm operating shaft for C type K1 handle	32
		DCM - 156 mm operating shaft for D/P type K1 handle	32
		DMM - 172 mm operating shaft for A type K1 and K2S handles	24
		DMM - 172 mm operating shaft for C type K1 and K2S handles	24
		DMM - 172 mm operating shaft for D/C type K2S handle	25
		DMM - 172 mm operating shaft for D/P type K1 and K2S handles	25
1314335	4K6116MMDCM/DMM	DCM - 100 mm operating shaft for A type K1 handle	32
		DCM - 100 mm operating shaft for C type K1 handle	32
		DCM - 100 mm operating shaft for D/P type K1 handle	32
		DMM - 116 mm operating shaft for A type K1 and K2S handles	24
		DMM - 116 mm operating shaft for C type K1 and K2S handles	24
		DMM - 116 mm operating shaft for D/C type K2S handle	25
		DMM - 116 mm operating shaft for D/P type K1 and K2S handles	25
1314336	CODMV1250/1600/2000A3P	Change-over mechanism for DMV 1250N, DMV 1600N and DMV 2000N	37
1314337	MPDMV160N	Multipole mechanism for DMV 160N	45
1314341	4K6132MMDMM	DCM - 116 mm operating shaft for A type K1 handle	32
		DCM - 116 mm operating shaft for C type K1 handle	32
		DCM - 116 mm operating shaft for D/P type K1 handle	32
		DMM - 132 mm operating shaft for A type K1 and K2S handles	24
		DMM - 132 mm operating shaft for C type K1 and K2S handles	24
		DMM - 132 mm operating shaft for D/C type K2S handle	25
		DMM - 132 mm operating shaft for D/P type K1 and K2S handles	25
1314342	4K6148MMDMM	DCM - 132 mm operating shaft for A type K1 handle	32
		DCM - 132 mm operating shaft for C type K1 handle	32
		DCM - 132 mm operating shaft for D/P type K1 handle	32
		DMM - 148 mm operating shaft for A type K1 and K2S handles	24
		DMM - 148 mm operating shaft for C type K1 and K2S handles	24
		DMM - 148 mm operating shaft for D/C type K2S handle	25
		DMM - 148 mm operating shaft for D/P type K1 and K2S handles	25
1314344	FRONTKITDCM/DMM	DCM - Front mounting kit	33
1314369	SHAFTSETDCM/DMM	DCM - Shaft supporting set	33
		DMM - Shaft supporting set	26
1314370	4K6400MMDCM/DMM	DCM - 384 mm operating shaft for A type K1 handle	32
		DCM - 384 mm operating shaft for C type K1 handle	32
		DCM - 384 mm operating shaft for D/P type K1 handle	32
		DMM - 400 mm operating shaft for A type K1 and K2S handles	24
		DMM - 400 mm operating shaft for C type K1 and K2S handles	24
		DMM - 400 mm operating shaft for D/C type K2S handle	25
		DMM - 400 mm operating shaft for D/P type K1 and K2S handles	25
1314374	4K6270MMDMM	DCM - 254 mm operating shaft for A type K1 handle	32
		DCM - 254 mm operating shaft for C type K1 handle	32
		DCM - 254 mm operating shaft for D/P type K1 handle	32
		DMM - 270 mm operating shaft for A type K1 and K2S handles	24
		DMM - 270 mm operating shaft for C type K1 and K2S handles	24
		DMM - 270 mm operating shaft for D/C type K2S handle	25
		DMM - 270 mm operating shaft for D/P type K1 and K2S handles	25

Article number	Part number	Description	Page
1314398	AUX1NO+1NCDMV160N	DMV - Auxiliary switch for DMV 160N	12
1314648	KITM10X30	DDC - Connection kit	91
		DMV - Spare connection kits for DMV 630N	12
1314682	CODMV630N/1000N	Change-over mechanism for DMV 630N and DMV 1000N	37
1314691	4K6172MMK1/2S	DMV - 172 mm operating shaft for A type K2S handle	9
		DMV - 172 mm operating shaft for C type K2S handle	10
		DMV - 172 mm operating shaft for D/C type K2S handle	11
		DMV - 172 mm operating shaft for D/P type K2S handle	10
		Multipole mechanisms - 172 mm operating shaft for A type K2S handle	46
		Multipole mechanisms - 172 mm operating shaft for D/C type K2S handle	47
		Multipole mechanisms - 172 mm operating shaft for D/P type K2S handle	46
1314692	4K6270MMK1/2S	DMV - 270 mm operating shaft for A type K2S handle	9
		DMV - 270 mm operating shaft for C type K2S handle	10
		DMV - 270 mm operating shaft for D/C type K2S handle	11
		DMV - 270 mm operating shaft for D/P type K2S handle	10
		Multipole mechanisms - 270 mm operating shaft for A type K2Shandle	46
		Multipole mechanisms - 270 mm operating shaft for D/C type K2S handle	47
		Multipole mechanisms - 270 mm operating shaft for D/P type K2S handle	46
1314693	4K6400MMK1/2S	DMV - 400 mm operating shaft for A type K2S handle	9
		DMV - 400 mm operating shaft for C type K2S handle	10
		DMV - 400 mm operating shaft for D/C type K2S handle	11
		DMV - 400 mm operating shaft for D/P type K2S handle	10
		Multipole mechanisms - 400 mm operating shaft for A type K2S handle	46
		Multipole mechanisms - 400 mm operating shaft for D/C type K2S handle	47
		Multipole mechanisms - 400 mm operating shaft for D/P type K2S handle	46
1314736	AUX1NO+1NCDDMVS160-2000	DMV - Auxiliary switch for DMV 160 to 2000 A	12
1314751	4K6132MMK1/2S	DMV - 132 mm operating shaft for A type K2S handle	9
		DMV - 132 mm operating shaft for C type K2S handle	10
		DMV - 132 mm operating shaft for D/C type K2S handle	11
		DMV - 132 mm operating shaft for D/P type K2S handle	10
1314752	4K6148MMK1/2S	DMV - 148 mm operating shaft for A type K2S handle	9
		DMV - 148 mm operating shaft for C type K2S handle	10
		DMV - 148 mm operating shaft for D/C type K2S handle	11
		DMV - 148 mm operating shaft for D/P type K2S handle	10
1314830	COVERDMV630N/1000N	DMV - Transparent terminal cover for DMV 630N and 1000N	12
1314857	KITM12X35	DDC - Connection kit	91
		DMV - Spare connection kits for DMV 1000N	12
1314878	SETDMVS160N/250N	Bridge connector set for DMVS 160N and DMV 250N	37
1314879	SETDMV400N	Bridge connector set for DMV 400N	37
1314881	SETDMV630N	Bridge connector set for DMV 630N	37
1314883	SETDMV1000N	Bridge connector set for DMV 1000N	37
1314884	CODMVS160N/400N	Change-over mechanism for DMV 160N, DMV 250N and DMV 400N	37
1314915	KITM10X20	DDC - Connection kits	91
		DMV - Spare connection kits for DMV 400N	12
1314927	KITM8X20	DDC - Connection kits	91
		DMV - Spare connection kits for DMVS 160N and DMV 250N	12
1314996	4K6116MMK1/2S	DMV - 116 mm operating shaft for A type K2S handle	9
		DMV - 116 mm operating shaft for C type K2S handle	10
		DMV - 116 mm operating shaft for D/C type K2S handle	11
		DMV - 116 mm operating shaft for D/P type K2S handle	10

Article number	Part number	Description	Page
1314996	4K6116MMK1/2S	Multipole mechanisms - 116 mm operating shaft for A type K2S handle	46
		Multipole mechanisms - 116 mm operating shaft for D/C type K2S handle	47
		Multipole mechanisms - 116 mm operating shaft for D/P type K2S handle	46
1318011	QSA63N1-A3/3	QSA BS - 63 A 3-pole frame size 1	58
1318016	QSA100N1-A4/3	QSA BS - 100 A 3-pole frame size 1	58
1318020	QSA125N1-B2/3	QSA BS - 125 A 3-pole frame size 1	58
1318023	QSA160N1-B2/3	QSA BS - 160 A 3-pole frame size 1	58
1318027	QSA63N1-00/3	QSA DIN - 63 A 3-pole frame size 1	57
1318030	QSA125N1-00/3	QSA DIN - 125 A 3-pole frame size 1	57
1318033	QSA160N1-00/3	QSA DIN - 160 A 3-pole frame size 1	57
1318476	QSAFCOVER160N1	QSA - Transparent front cover	63
1318526	QSA250N-2/3	QSA DIN - 250 A 3-pole frame size 2	57
1318533	QSA400N-2/3	QSA DIN - 400 A 3-pole frame size 2	57
1318537	QSA400-C3/3	QSA BS - 400 A 3-pole frame size 3	58
1318542	QSA630-3/3	QSA DIN - 630 A 3-pole frame size 3	57
1318543	QSA800-3/3	QSA DIN - 800 A 3-pole frame size 3	57
1318544	QSA630-C3/3	QSA BS - 630 A 3-pole frame size 3	57
1318546	QSA100N1-00/3	QSA DIN - 100 A 3-pole frame size 1	57
1318547	QSA200N-2/3	QSA DIN - 200 A 3-pole frame size 2	57
1318548	QSA315N-2/3	QSA DIN - 315 A 3-pole frame size 2	57
1318549	QSA400N-3/3	QSA DIN - 400 A 3-pole frame size 3	57
1318550	QSA100N1-00/1	QSA DIN - 100 A 3-pole + solid neutral frame size 1	57
1318551	QSA100N1-00/3N	QSA DIN - 100 A 3-pole + switched neutral frame size 1	57
1318552	QSA160N1-00/1	QSA DIN - 160 A 3-pole + solid neutral frame size 1	57
1318553	QSA160N1-00/3N	QSA DIN - 160 A 3-pole + switched neutral frame size 1	57
1318554	QSA250N-2/1	QSA DIN - 250 A 3-pole + solid neutral frame size 2	57
1318555	QSA250N-2/3N	QSA DIN - 250 A 3-pole + switched neutral frame size 2	57
1318612	QSA400N-2/1	QSA DIN - 400 A 3-pole + solid neutral frame size 2	57
1318614	QSA400N-2/3N	QSA DIN - 400 A 3-pole + switched neutral frame size 2	57
1318685	4K12/4K14	QSA - Coupling links for converting shaft sizes	65
1318694	QSA630-3/1	QSA DIN - 630 A 3-pole + solid neutral frame size 3	57
1318699	QSA630-3/3N	QSA DIN - 630 A 3-pole + switched neutral frame size 3	57
1319065	QSA200N-B2/3	QSA BS - 200 A 3-pole frame size 2	58
1319074	QSA250N-B4/3	QSA BS - 250 A 3-pole frame size 2	58
1319095	QSA315N-B4/3	QSA BS - 315 A 3-pole frame size 2	58
1319103	QSA400N-B4/3	QSA BS - 400 A 3-pole frame size 2	58
1319175	QSA800-C3/3	QSA BS - 800 A 3-pole frame size 3	58
1319301	4K8600MMK2	DDC - 600 mm operating shaft for A type K2 handle	89
		DDC - 600 mm operating shaft for D/C type K2 handle	90
		DDC - 600 mm operating shaft for D/P type K2 handle	90
		QSA - 600 mm operating shaft for A type K2 handle	59
		QSA - 600 mm operating shaft for C type K2 handle	60
		QSA - 600 mm operating shaft for D/C type K2 handle	61
		QSA - 600 mm operating shaft for D/P type K2 handle	60
1319303	4K8115MMK2	QSA - 115 mm operating shaft for A type K2 handle	59
		QSA - 115 mm operating shaft for C type K2 handle	60
		QSA - 115 mm operating shaft for D/C type K2 handle	61
		QSA - 115 mm operating shaft for D/P type K2 handle	60
1319306	4K8140MMK2	QSA - 140 mm operating shaft for A type K2 handle	59
		QSA - 140 mm operating shaft for C type K2 handle	60
		QSA - 140 mm operating shaft for D/C type K2 handle	61

Article number	Part number	Description	Page
1319306	4K8140MMK2	QSA - 140 mm operating shaft for D/P type K2 handle	60
1319307	4K8180MMK2	QSA - 180 mm operating shaft for A type K2 handle	59
		QSA - 180 mm operating shaft for C type K2 handle	60
		QSA - 180 mm operating shaft for D/C type K2 handle	61
		QSA - 180 mm operating shaft for D/P type K2 handle	60
1319311	4K8300MMK2	DDC - 300 mm operating shaft for A type K2 handle	89
		DDC - 300 mm operating shaft for D/C type K2 handle	90
		DDC - 300 mm operating shaft for D/P type K2 handle	90
		QSA - 300 mm operating shaft for A type K2 handle	59
		QSA - 300 mm operating shaft for C type K2 handle	60
		QSA - 300 mm operating shaft for D/C type K2 handle	61
		QSA - 300 mm operating shaft for D/P type K2 handle	60
1319314	4K10135MMK3	QSA - 135 mm operating shaft for A type K3 handle	59
		QSA - 135 mm operating shaft for C type K3 handle	60
		QSA - 135 mm operating shaft for D/C type K3 handle	61
		QSA - 135 mm operating shaft for D/P type K3 handle	60
1319315	4K10180MMK3	QSA - 180 mm operating shaft for A type K3 handle	59
		QSA - 180 mm operating shaft for C type K3 handle	60
		QSA - 180 mm operating shaft for D/C type K3 handle	61
		QSA - 180 mm operating shaft for D/P type K3 handle	60
1319319	4K10300MMK2	DDC - 300 mm operating shaft for A type K3 handle	89
		DDC - 300 mm operating shaft for D/C type K3 handle	90
		DDC - 300 mm operating shaft for D/P type K3 handle	90
		QSA - 300 mm operating shaft for A type K3 handle	59
		QSA - 300 mm operating shaft for C type K3 handle	60
		QSA - 300 mm operating shaft for D/C type K3 handle	61
		QSA - 300 mm operating shaft for D/P type K3 handle	60
1319322	4K10600MMK2	DDC - 600 mm operating shaft for A type K3 handle	89
		DDC - 600 mm operating shaft for D/C type K3 handle	90
		DDC - 600 mm operating shaft for D/P type K3 handle	90
		QSA - 600 mm operating shaft for A type K3 handle	59
		QSA - 600 mm operating shaft for C type K3 handle	60
		QSA - 600 mm operating shaft for D/C type K3 handle	61
		QSA - 600 mm operating shaft for D/P type K3 handle	60
1319326	4K12300MMK4	DDC - 300 mm operating shaft for A type K4 handle	89
		DDC - 300 mm operating shaft for D/C type K4 handle	90
		DDC - 300 mm operating shaft for D/P type K4 handle	90
		QSA - 300 mm operating shaft for A type K4 handle	59
		QSA - 300 mm operating shaft for C type K4 handle	60
		QSA - 300 mm operating shaft for D/C type K4 handle	61
		QSA - 300 mm operating shaft for D/P type K4 handle	60
1319329	4K12600MMK4	DDC - 600 mm operating shaft for A type K4 handle	89
		DDC - 600 mm operating shaft for D/C type K4 handle	90
		DDC - 600 mm operating shaft for D/P type K4 handle	90
		QSA - 600 mm operating shaft for A type K4 handle	59
		QSA - 600 mm operating shaft for C type K4 handle	60
		QSA - 600 mm operating shaft for D/C type K4 handle	61
		QSA - 600 mm operating shaft for D/P type K4 handle	60
1319332	COUP8X8MM	QSA - Coupling links	65

Article number	Part number	Description	Page
1319334	COUP10X10MM	QSA - Coupling links	65
1319336	COUP12X12MM	QSA - Coupling links	65
1319398	4K10/4K12	QSA - Coupling links for converting shaft sizes	65
1319409	QSACOVER1PM6	QSA - 1-pole Transparent terminal cover for QSA 40N0 to QSA 125N1	63
1319411	QSACOVER1PM8	DDC - 1-pole Transparent terminal cover for DDC 125 A to DDC 200 A	91
		QSA - 1-pole Transparent terminal cover for QSA 160N1 to QSA 200N(BS)	63
1319413	QSACOVER1PM10	DDC - 1-pole Transparent terminal cover for DDC 250 A to DDC 630 A	91
		QSA - 1-pole Transparent terminal cover for QSA 200N (DIN) to QSA 400N	63
1319415	QSACOVER1PM12	DDC - 1-pole Transparent terminal cover for DDC 800 A to DDC 1250 A	91
		QSA - 1-pole Transparent terminal cover for QSA 400 to QSA 800	63
1319417	QSARCOVER400-800-C3/3	QSA - Rear cover	64
1319418	QSATCOVERBOX2	QSA - 3-pole Transparent terminal cover	63
1319423	QSAFCOVER160N1-A4/3	QSA - Transparent front cover	64
1319426	QSAFCOVER400-800	QSA - Transparent front cover	64
1319429	QSAFCOVER160N-400N	QSA - Transparent front cover	64
1319432	QSATCOVERBOX1	QSA - 3-pole Transparent terminal cover	63
1319435	QSAFCOVER63N1-125N1	QSA - Transparent front cover	64
1319438	QSAFCOVER125N1-160N1-B2/3	QSA - Transparent front cover	63
1319439	QSARCOVER1P63-160	QSA - Rear cover	64
1319441	QSARCOVER1P160-400	QSA - Rear cover	64
1319460	QSAN40/63A	QSA - Solid neutral	62
1319462	QSANS40/63A	QSA - Switched neutral	62
1319466	QSA100/125A	QSA - Solid neutral	62
1319467	QSANS100/125A	QSA - Switched neutral	62
1319472	QSAN160A	QSA - Solid neutral	62
1319473	QSAN160/200A	QSA - Solid neutral	62
1319474	QSANS160A	QSA - Switched neutral	62
1319476	QSANS160/200A	QSA - Switched neutral	62
1319480	QSAN250/315/400A	QSA - Solid neutral	62
1319482	QSANS250/315/400A	QSA - Switched neutral	62
1319486	QSAN400/630/800A	QSA - Solid neutral	62
1319662	QSANS400/630/800A	QSA - Switched neutral	62
1319806	QM63/6	QM - 63 A 6-pole	51
1319807	QM63/3	QM - 63 A 2 x 3-pole	51
1319814	QM100/6	QM - 50 A 6-pole	51
1319815	QM100/3	QM - 100 A 2 x 3-pole	51
1319830	4K6180MMK1/2S	QM - 180 mm extension shaft for door mounting the operating knob	52
		QSA - 180 mm operating shaft for A type K1 handle	59
		QSA - 180 mm operating shaft for C type K1 handle	60
		QSA - 180 mm operating shaft for D/P type K1 handle	60
1319831	4K6300MMK1/2S	DDC - 300 mm operating shaft for A type K1 handle	89
		DDC - 300 mm operating shaft for D/P type K1 handle	90
		QM - 300 mm extension shaft for door mounting the operating knob	52
		QSA - 300mm operating shaft for A type K1 handle	59
		QSA - 300mm operating shaft for C type K1 handle	60
		QSA - 300mm operating shaft for D/P type K1 handle	60
1319832	4K6600MMK1/2S	DDC - 600 mm operating shaft for A type K1 handle	89
		DDC - 600 mm operating shaft for D/P type K1 handle	90
		QM - 600 mm extension shaft for door mounting the operating knob	52

Article number	Part number	Description	Page
1319832	4K6600MMK1/2S	QSA - 600 mm operating shaft for A type K2 handle	59
		QSA - 600 mm operating shaft for C type K1 handle	60
		QSA - 600 mm operating shaft for D/P type K1 handle	60
1319833	COUP6X6MM	DCM - Coupling links	33
		QM - Coupling for use with extension shaft	52
		QSA - Coupling links	65
1319851	QMAUX1N0+1NC40/63	QM - Auxiliary switch for QM 40 A and QM 63 A	53
1319853	QMAUX1N0+1NC80/100	QM - Auxiliary switch for QM 80 A and QM 100 A	53
1319855	QMHANDLEMP	QM - Black knob (0-1) for multipole switch	52
1319856	QMHANDLECO	QM - Black knob (1-0-2) for change-over switch	52
1319857	QMDOORCOUP	QM - Door coupling base-plate for change-over and multipole switch	52
1319858	QMNEUTRAL40/634-pole	QM - Solid neutrals for 40 and 63 A QM	52
1319859	QMNEUTRAL80/1004-pole	QM - Solid neutrals for 80 and 100 A QM	52
1319868	QMEARTH40/63	QM - Earth terminals for QM 40 A and 63 A	53
1319869	QMEARTH80/100	QM - Earth terminals for QM 80 A and QM 100 A	53
1319870	QMCOVER40/633-pole	QM - 3-pole Protective cover set for QM 40 A and QM 63 A	53
1319871	QMCOVER80/1003-pole	QM - 3-pole + Neutral protective cover set for QM 40 A and QM 63 A	53
1319872	QMCOVER40/633-pole+N	QM - 3-pole Protective cover set for QM 80 A and QM 100 A	53
1319873	QMCOVER80/1003-pole+N	QM - 3-pole + Neutral protective cover set for QM 80 A and QM 100 A	53
1319904	QM63/6NS	QM - 50 A 6-pole + switched neutral	51
1319905	QM100/6N2	QM - 100 A 6-pole + switched neutral	51
1319915	QM63/3N	QM - 63 A 2 x 4-pole + switched neutral	51
1319916	QM100/3N	QM - 100 A 2 x 4-pole + switched neutral	51
1319967	QMCASET100	QM - Connection set for 100 A change-over switch	52
1319969	QMCASET40/63	QM - Connection set for 40 A and 63 A change-over switch	52
1319970	QM40/3N	QM - 40 A 2 x 4-pole + switched neutral	51
1320200	QSA40-N0-A3/3	QSA BS - 40 A 3-pole frame size 0	58
1320201	QSA40N0-00/3	QSA DIN - 40 A 3-pole frame size 0	57
1320202	QSA63N0-A3/3	QSA BS - 63 A 3-pole frame size 0	58
1320203	QSA63N0-00/3	QSA DIN - 63 A 3-pole frame size 0	57
1320204	QSA40N0-A3/3+P	QSA BS - 40 A 3-pole with terminal clamps frame size 0	58
1320205	QSA40N0-00/3+P	QSA DIN - 40 A 3-pole with box terminal clamps frame size 0	57
1320206	QSA63N0-A3/3+P	QSA BS - 63 A 3-pole with terminal clamps frame size 0	58
1320207	QSA63N0-00/3+P	QSA DIN - 63 A 3-pole with box terminal clamps frame size 0	57
1320237	QSAFCOVER40N0-63N0	QSA - Transparent front cover	64
1320239	QSATCOVERBOX0	QSA - 3-pole Transparent terminal cover	63
1320297	QSA63N0-00/1	QSA DIN - 63 A 3-pole + solid neutral frame size 0	57
1320298	QSA63N0-00/3N	QSA DIN - 63 A 3-pole + switched neutral frame size 0	57
1713607	LPC-PHM-DUMMY	Dummy fuse insert for maintenance work	84
1713610	LPC25-16AFUSE	Pasco - LPC 25 A 230 V a.c. 1-pole + neutral including fuse link	83
1713611	PHM25-16AFUSE	Paco - PHM 25 A 230 V a.c. 1-pole including fuse link	83
1713612	LPC25	Pasco - LPC 25 A 230 V a.c. 1-pole + neutral without fuse link	83
1713613	LPC50	Pasco - LPC 50 A 230 V a.c. 1-pole + neutral	83
1713614	PHM25	Paco - PHM 25 A 230 V a.c. 1-pole without fuse link	83
1713615	PHM50	Paco - PHM 50 A 230 V a.c. 1-pole	83
1713616	LPC25/2	Pasco - LPC 25 A 230 V a.c. 2-pole + Neutral	83
1713617	LPC25-3	Pasco - LPC 25 A 400 V a.c. 3-pole + Neutral	83
1713618	LPC35/3	Pasco - LPC 35 A 400 V a.c. 3-pole + Neutral	83
1713622	LPC6-ADAPTER	6 A Green fuse rating guide plate for Pasco switch-disconnector	83
1713623	LPC10-ADAPTER	10 A Red fuse rating guide plate for Pasco switch-disconnector	83
1713624	LPC16-ADAPTER	16 A Grey fuse rating guide plate for Pasco switch-disconnector	83

Article number	Part number	Description	Page
1713625	LPC20-ADAPTER	20 A Blue fuse rating guide plate for Pasco switch-disconnector	83
1713626	LPC25-ADAPTER	25 A yellow fuse rating guide plate for Pasco switch-disconnector	83
1713627	LPC35-ADAPTER	35 A Black fuse rating guide plate for Pasco switch-disconnector	83
1713628	LPC50-ADAPTER	50 A fuse rating guide plate for Pasco switch-disconnector	83
1713629	LPC-ADAPTERKEY	Tool for inserting fuse rating guide plate	83
1814065	DMV-2000N/3	DMV - 2000 A 3-pole with bolt connection	7
1814174	DMV-160N/1+TC	DMV - 160 A 3-pole + solid neutral with box terminal clamps without shaft and handle	7
1814175	DMV-160N/3+TC	DMV - 160 A 3-pole with box terminal clamps without shaft and handle	7
1814176	DMV-160N/4+TC	DMV - 160 A 4-pole with box terminal clamps without shaft and handle	7
1814177	DMV-160N/1	DMV - 160 A 3-pole + solid neutral with bolt connection without shaft and handle	7
1814178	DMV-160N/3	DMV - 160 A 3-pole with bolt connection without shaft and handle	7
1814179	DMV-160N/4	DMV - 160 A 4-pole with bolt connection without shaft and handle	7
1814186	DMVS-160N/3	DMV - 160 A 3-pole with larger bolt connection terminals without shaft and handle	7
1814187	DMVS-160N/1	DMV - 160 A 3-pole + solid neutral with larger bolt connection terminals without shaft and handle	7
1814188	DMVS-160N/4	DMV - 160 A 4-pole with larger bolt connection terminals without shaft and handle	7
1814408	DMV-250N/3	DMV - 250 A 3-pole with bolt connection without shaft and handle	7
1814409	DMV-250N/1	DMV - 250 A 3-pole + solid neutral with bolt connection without shaft and handle	7
1814410	DMV-250N/4	DMV - 250 A 4-pole with bolt connection without shaft and handle	7
1814411	DMV-400N/3	DMV - 400 A 3-pole with bolt connection without shaft and handle	7
1814412	DMV-400N/1	DMV - 400 A 3-pole + solid neutral with bolt connection without shaft and handle	7
1814413	DMV-400N/4	DMV - 400 A 4-pole with bolt connection without shaft and handle	7
1814420	DMV-250N/3+SH	DMV - 250 A 3-pole with shaft and knob	8
1814421	DMV-250N/1+SH	DMV - 250 A 3-pole + solid neutral with shaft and knob	8
1814422	DMV-250N/4+SH	DMV - 250 A 4-pole with shaft and handle	8
1814423	DMV-400N/3+SH	DMV - 400 A 3-pole with shaft and knob	8
1814424	DMV-400N/1+SH	DMV - 400 A 3-pole + solid neutral with shaft and knob	8
1814425	DMV-400N/4+SH	DMV - 400 A 4-pole with shaft and handle	8
1814442	DMV-630N/3	DMV - 630 A 3-pole with bolt connection	7
1814443	DMV-630N/1	DMV - 630 A 3-pole + solid neutral with bolt connection	7
1814444	DMV-630N/4	DMV - 630 A 4-pole with bolt connection	7
1814445	DMV-1000N/3	DMV - 1000 A 3-pole with bolt connection	7
1814446	DMV-1000N/1	DMV - 1000 A 3-pole+ solid neutral with bolt connection	7
1814447	DMV-1000N/4	DMV - 1000 A 4-pole with bolt connection	7
1814448	DMV-630N/3+SH	DMV - 630 A 3-pole with shaft and knob	8
1814449	DMV-630N/1+SH	DMV - 630 A 3-pole + solid neutral with shaft and knob	8
1814450	DMV-630N/4+SH	DMV - 630 A 4-pole with shaft and handle	8
1814451	DMV-1000N/3+SH	DMV - 1000 A 3-pole with shaft and knob	8
1814452	DMV-1000N/1+SH	DMV - 1000 A 3-pole + solid neutral with shaft and knob	8
1814453	DMV-1000N/4+SH	DMV - 1000 A 4-pole with shaft and handle	8
1814590	DMV-1250N/3	DMV - 1250 A 3-pole with bolt connection	7
1814591	DMV-1250N/1	DMV - 1250 A 3-pole + solid neutral with bolt connection	7
1814592	DMV-1250N/4	DMV - 1250 A 4-pole with bolt connection	7
1814595	DMV-1600N/3	DMV - 1600 A 3-pole with bolt connection	7
1814596	DMV-1600N/1	DMV - 1600 A 3-pole + solid neutral with bolt connection	7
1814597	DMV-1600N/4	DMV - 1600 A 4-pole + solid neutral with bolt connection	7
1818001	K1AB	DCM - Blue A type K1 handle	32
		DMM - Blue A type K1 handle	24
		QSA - Blue A type K1 handle	59
1818002	K1AR	DCM - Red A type K1 handle	32
		DDC - Red A type K1 handle	89
		DMM - Red A type K1 handle	24

Article number	Part number	Description	Page
1818002	K1AR	QSA - Red A type K1 handle	59
1818003	K2SAB	Change-over mechanisms - Blue A type K2S handle	38
		Multipole mechanisms - Blue A type K2S handle	46
		DMM - Blue A type K2S handle	24
		DMV - Blue A type K2S handle	9
1818004	K2SAR	Change-over mechanisms - Red A type K2S handle	38
		Multipole mechanisms - Red A type K2S handle	46
		DMM - Red A type K2S handle	24
		DMV - Red A type K2S handle	9
1818005	K2AB	QSA - Blue A type K2 handle	59
1818006	K2AR	DDC - Red A type K2 handle	89
		QSA - Red A type K2 handle	59
1818009	K4AB	QSA - Blue A type K4 handle	59
1818010	K4AR	DDC - Red A type K4 handle	89
		QSA - Red A type K4 handle	59
1818011	K5AB	Change-over mechanisms - Blue A type K5 handle	38
		DMV - Blue A type K5 handle	9
		Multipole mechanisms - Blue A type K5 handle	46
1818012	K5AR	Change-over mechanisms - Red A type K5 handle	38
		DMV - Red A type K5 handle	9
		Multipole mechanisms - Red A type K5 handle	46
1818013	K6AB	Change-over mechanisms - Blue A type K6 handle	38
		DMV - Blue A type K6 handle	9
1818014	K6AR	Change-over mechanisms - Red A type K6 handle	38
		DMV - Red A type K6 handle	9
1818015	K1CB	DCM - Blue C type K1 handle	32
		DMM - Blue C type K1 handle	24
		QSA - Blue C type K1 handle	60
1818016	K1CR	DCM - Red C type K1 handle	32
		DMM - Red C type K1 handle	24
		QSA - Red C type K1 handle	60
1818017	K2SCB	DMM - Blue C type K2S handle	24
		DMV - Blue C type K2S handle	10
1818018	K2SCR	DMM - Red C type K2S handle	24
		DMV - Red C type K2S handle	10
1818019	K2CB	QSA - Blue C type K2 handle	60
1818020	K2CR	QSA - Red C type K2 handle	60
1818023	K4CB	QSA - Blue C type K4 Handle	60
1818024	K4CR	QSA - Red C type K4 Handle	60
1818025	K5CB	DMV - Blue C type K5 handle	10
1818026	K5CR	DMV - Red C type K5 handle	10
1818027	K6CB	DMV - Blue C type K6 handle	10
1818028	K6CR	DMV - Red C type K6 handle	10
1818029	K1DB/P	DCM - Blue D/P type K1 handle	32
		DMM - Blue D/P type K1 handle	25
		QSA - Blue D/P type K1 handle	60
1818030	K1DR/P	DCM - Red D/P type K1 handle	32
		DDC - Red D/ P type K1 handle	90
		DMM - Red D/P type K1 handle	25
		QSA - Red D/P type K1 handle	60
1818031	K1DG/P	DCM - Grey D/P type K1 handle	32

Article number	Part number	Description	Page
1818031	K1DG/P	DDC - Grey D/ P type K1 handle	90
		DMM - Grey D/P type K1 handle	25
		QSA - Grey D/P type K1 handle	60
1818032	K2SDB/P	DMM - Blue D/P type K2S handle	25
		DMV - Blue D/P type K2S handle	10
		Multipole mechanisms -Blue D/P type K2S handle	46
1818033	K2SDR/P	DMM - Red D/P type K2S handle	25
		DMV - Red D/P type K2S handle	10
		Multipole mechanisms - Red D/P type K2S handle	46
1818034	K2SDG/P	DMM - Grey D/P type K2S handle	25
		DMV - Grey D/P type K2S handle	10
1818035	K2DB/P	QSA - Blue D/P type K2 handle	60
1818036	K2DR/P	DDC - Red D/ P type K2 handle	90
		QSA - Red D/P type K2 handle	60
1818037	K2DG/P	DDC - Grey D/P type K2 handle	90
		QSA - Grey D/P type K2 handle	60
1818038	K2SDB/C	DMM - Blue D/C type K2S handle	25
		DMV - Blue D/C type K2S handle	11
		Multipole mechanisms - Blue D/C type K2S handle	47
1818039	K2SDR/C	DMM - Red D/C type K2S handle	25
		DMV - Red D/C type K2S handle	11
		Multipole mechanisms - Red D/C type K2S handle	47
1818040	K2SDG/C	DMM - Grey D/C type K2S handle	25
		DMV - Grey D/C type K2S handle	11
		Multipole mechanisms - Grey D/C type K2S handle	47
1818041	K2DB/C	QSA -Blue D/C type K2 handle	61
1818042	K2DR/C	DDC - Red D/C type K2 handle	90
		QSA -Red D/C type K2 handle	61
1818043	K2DG/C	DDC -Grey D/C type K2 handle	90
		QSA - Grey D/C type K2 handle	61
1818050	K4DB/P	QSA - Blue D/P type K4 handle	60
1818051	K4DR/P	DDC - Red D/ P type K4 handle	90
		QSA - Red D/P type K4 handle	60
1818052	K4DG/P	DDC - Grey D/ P type K4 handle	90
		QSA - Grey D/P type K4 handle	60
1818053	K4DB/C	QSA - Blue D/C type K4 handle	61
1818054	K4DR/C	DDC - Red D/C type K4 handle	90
		QSA - Red D/C type K4 handle	61
1818055	K4DG/C	DDC - Grey D/C type K4 handle	90
		QSA - Grey D/C type K4 handle	61
1818056	K5DB/P	DMV - Blue D/P type K5 handle	11
		Multipole mechanisms - Blue D/P type K5 handle	46
1818057	K5DR/P	DMV - Red D/P type K5 handle	11
		Multipole mechanisms - Red D/P type K5 handle	46
1818058	K5DG/P	DMV - Grey D/P type K5 handle	11
		Multipole mechanisms - Grey D/P type K5 handle	46
1818059	K5DB/C	DMV - Blue D/C type K5 handle	11
		Multipole mechanisms - Blue D/C type K5 handle	47
1818060	K5DR/C	DMV - Red D/C type K5 handle	11
		Multipole mechanisms - Red D/C type K5 handle	47
1818061	K5DG/C	DMV - Grey D/C type K5 handle	11

Article number	Part number	Description	Page
1818061	K5DG/C	Multipole mechanisms - Grey D/C type K5 handle	47
1818063	K6DR/P	DMV - Red D/P type K6 handle	11
1818064	K6DG/P	DMV - Grey D/P type K6 handle	11
1818065	K6DB/C	DMV - Blue D/C type K6 handle	11
1818066	K6DR/C	DMV - Red D/C type K6 handle	11
1818067	K6DG/C	DMV - Grey D/C type K6 handle	11
1818068	K3CB	DMV - Blue C type K3 handle	10
		QSA - Blue C type K3 handle	60
1818069	K3DG/P	DDC - Grey D/ P type K3 handle	90
		DMV - Grey D/P type K3 handle	11
		Multipole mechanisms - Grey D/P type K3 handle	46
		QSA - Grey D/P type K3 handle	60
1818070	K3DG/C	DDC - Grey D/C type K3 handle	90
		DMV - Grey D/C type K3 handle	11
		Multipole mechanisms - Grey D/C type K3 handle	47
		QSA - Grey D/C type K3 handle	61
1818072	K02SDB/P	Change-over mechanisms - Blue D/P type K2S handle	39
1818076	K05DB/P	Change-over mechanisms - Blue D/P type K5 handle	39
1818078	K06DB/P	DMV - Blue D/P type K06 handle	11
1818096	K3DR/P	DDC - Red D/ P type K3 handle	90
		DMV - Red D/P type K3 handle	11
		Multipole mechanisms - Red D/P type K3 handle	46
		QSA - Red D/P type K3 handle	60
1818097	K3DR/C	DDC - Red D/C type K3 handle	90
		DMV - Red D/C type K3 handle	11
		Multipole mechanisms - Red D/C type K3 handle	47
		QSA - Red D/C type K3 handle	61
1818103	ADAPTORPADLOCK-K1	DCM - Conversion kit for K1 handle	33
		DDC - Conversion kit for K1 handle	91
		QSA - Conversion kit for K1 handle	61
1818104	ADAPTORPADLOCK-K2	DDC - Conversion kit for K2 handle	91
		QSA - Conversion kit for K2 handle	61
1818105	ADAPTORPADLOCK-K3	DDC - Conversion kit for K3 handle	91
		QSA - Conversion kit for K3 handle	61
1818106	ADAPTORPADLOCK-K4	DDC - Conversion kit for K4 handle	91
		QSA - Conversion kit for K4 handle	61
1818110	K3AB	Change-over mechanisms - Blue A type K3 handle	38
		DMV - Blue A type K3 handle	9
		Multipole mechanisms - Blue A type K3 handle	46
		QSA - Blue A type K3 handle	59
1818111	K3AR	Change-over mechanisms - Red A type K3 handle	38
		DDC - Red A type K3 handle	89
		DMV - Red A type K3 handle	9
		Multipole mechanisms - Red A type K3 handle	46
		QSA - Red A type K3 handle	59
1818112	K3CR	DMV - Red C type K3 handle	10
		QSA - Red C type K3 handle	60
1818113	K3DB/P	DMV - Blue D/P type K3 handle	11
		Multipole mechanisms - D/P type K3 handle	46

Article number	Part number	Description	Page
1818113	K3DB/P	QSA - Blue D/P type K3 handle	60
1818114	K3DB/C	DMV - Blue D/C type K3 handle	11
		Multipole mechanisms - Blue D/C type K3 handle	47
		QSA - Blue D/C type K3 handle	61
1818116	K03DB/P	Change-over mechanisms - Blue D/P type K3 handle	39
1818200	K1AG	DCM - Grey A type K1 handle	32
		DDC - Grey A type K1 handle	89
		DMM - Grey A type K1 handle	24
		QSA - Grey A type K1 handle	59
1818201	K2AG	DDC - Grey A type K2 handle	89
		QSA - Grey A type K2 handle	59
1818202	K3AG	Change-over mechanisms - Grey A type K3 handle	38
		DDC - Grey A type K3 handle	89
		DMV - Grey A type K3 handle	9
		Multipole mechanisms - Grey A type K3 handle	46
		QSA - Grey A type K3 handle	59
1818203	K4AG	DDC - Grey A type K4 handle	89
		QSA - Grey A type K4 handle	59
6028293	AUX1N0+1NC-BOX012	DDC - Auxiliary contact set for DDC 63 A to DDC 630 A	91
		QSA - Auxiliary contact set	63
6083336	DMM-125/3-SK	DMM - 125 A 3-pole without shaft and knob	21
6084846	DMV-3150/4/M6/2HI11/K6/PG	DMV - 3150 A 4-pole with grey rotary handle and 300 mm shaft	8
6084847	DMV-3150/3N/M6/2HI11/K6/PG	DMV - 3150 A 3-pole with solid neutral with grey rotary handle and 300 mm shaft	8
6084848	DMV-3150/3/M6/2HI11/K6/PG	DMV - 3150 A 3-pole with grey rotary handle and 300 mm shaft	8
6085416	DMM-160/3-SK	DMM - 160 A 3-pole with shaft and knob	21
6085417	DMM-160/1-SK	DMM - 160 A 3-pole + solid neutral without shaft and knob	21
6085418	DMM-160/4-SK	DMM - 160 A 4-pole without shaft and knob	21
6090659	4K14K5H600	DMV - 600 mm operating shaft for A type K5 handle	9
		DMV - 600 mm operating shaft for C type K5 handle	10
		DMV - 600 mm operating shaft for D/C type K5 handle	11
		DMV - 600 mm operating shaft for D/P type K5 handle	11
6093242	DMV-2500/4/M6/2HI11/K6/PG	DMV - 2500 A 4-pole with grey rotary handle and 300 mm shaft	8
6093243	DMV-2500/3N/M6/2HI11/K6/PG	DMV - 2500 A 3-pole with solid neutral with grey rotary handle and 300 mm shaft	8
6093244	DMV-2500/3/M6/2HI11/K6/PG	DMV - 2500 A 3-pole with grey rotary handle and 300 mm shaft	8
6093344	DMM-125/3	DMM - 125 A 3-pole with black rotary handle	21
6093345	DMM-160/1	DMM - 160 A 3-pole + solid neutral with black rotary handle	21
6093346	DMM-160/4	DMM - 160 A 4-pole with black rotary handle	21
6093347	DMM-160/3	DMM - 160 A 3-pole with black rotary handle	21
6094964	DMM-125/3/M4/P-R	DMM - 125 A 3-pole with red/yellow padlockable handle	22
6094965	DMM-160/3/M4/P-R	DMM - 160 A 3-pole with red/yellow padlockable handle	22
6094966	DMV-250/3/M4-P-R	DMV - 250 A 3-pole with red/yellow padlockable handle and 400 mm shaft	8
6094967	DMV-400/3/M4-P-R	DMV - 400 A 3-pole with red/yellow padlockable handle and 400 mm shaft	8
6094968	DMM-125/4/M4/P-R	DMM - 125 A 4-pole with red/yellow padlockable handle	22
6094969	DMM-160/4/M4/P-R	DMM - 160 A 4-pole with red/yellow padlockable handle	22
6094970	DMV-250A-4/M4/P-G	DMV - 250 A 4-pole with red/yellow padlockable handle and 400 mm shaft	8
6094971	DMV-400/4/M4/P-R	DMV - 400 A 4-pole with red/yellow padlockable handle and 400 mm shaft	8
6096804	DMM-125/3/M4/P-G	DMM - 125 A 3-pole with grey padlockable handle	22
6096805	DMM-125/4/M4/P-G	DMM - 125 A 4-pole with grey padlockable handle	22
6096806	DMM-160/3/M4/P-G	DMM -160 A 3-pole with grey padlockable handle	22

Article number	Part number	Description	Page
6096807	DMM-160/4/M4/P-G	DMM -160 A 4-pole with grey padlockable handle	22
6098274	SC4K12/14	DDC - Coupling for extending shaft length for DDC 800 A, DDC 1000 A and DDC 1250 A	91
6098593	AUXADAPTERDMV/QSA	QSA - Adapter plate for fixing auxiliary contact	63
6098920	DDC-63/2	DDC - 63 A 2-pole with pre-mounted with grey handle	87
6098921	DDC-63/2-SK	DDC - 63 A 2-pole without shaft and handle	87
6098922	DDC-63/2/M4/P-G	DDC - 63 A 2-pole with 300 mm shaft and grey handle	88
6098923	DDC-80/2	DDC - 80 A 2-pole with pre-mounted with grey handle	87
6098924	DDC-80/2-SK	DDC - 80 A 2-pole without shaft and handle	87
6098925	DDC-80/2/M4/P-G	DDC - 80 A 2-pole with 300 mm shaft and grey handle	88
6098926	DDC-100/2	DDC - 100 A 2-pole with pre-mounted with grey handle	87
6098927	DDC-100/2-SK	DDC - 100 A 2-pole without shaft and handle	87
6098928	DDC-100/2/M4/P-G	DDC - 100 A 2-pole with 300 mm shaft and grey handle	88
6098930	DDC-125/2	DDC - 125 A 2-pole with pre-mounted with grey handle	87
6098931	DDC-125/2-SK	DDC - 125 A 2-pole without shaft and handle	87
6098932	DDC-125/2/M4/P-G	DDC - 125 A 2-pole with 300 mm shaft and grey handle	88
6098933	DDC-160/2	DDC - 160 A 2-pole with pre-mounted with grey handle	87
6098934	DDC-160/2-SK	DDC - 160 A 2-pole without shaft and handle	87
6098935	DDC-160/2/M4/P-G	DDC - 160 A 2-pole with 300 mm shaft and grey handle	88
6098936	DDC-200/2	DDC - 200 A 2-pole with pre-mounted with grey handle	87
6098937	DDC-200/2-SK	DDC - 200 A 2-pole without shaft and handle	87
6098938	DDC-200/2/M4/P-G	DDC - 200 A 2-pole with 300 mm shaft and grey handle	88
6098940	DDC-250/2	DDC - 250 A 2-pole with pre-mounted with grey handle	87
6098941	DDC-250/2-SK	DDC - 250 A 2-pole without shaft and handle	87
6098942	DDC-250/2/M4/P-G	DDC - 250 A 2-pole with 300 mm shaft and grey handle	88
6098943	DDC-400/2	DDC - 400 A 2-pole with pre-mounted with grey handle	87
6098944	DDC-400/2-SK	DDC - 400 A 2-pole without shaft and handle	87
6098945	DDC-400/2/M4/P-G	DDC - 400 A 2-pole with 300 mm shaft and grey handle	88
6098946	DDC-630/2	DDC - 630 A 2-pole with pre-mounted with grey handle	87
6098947	DDC-630/2-SK	DDC - 630 A 2-pole without shaft and handle	87
6098948	DDC-630/2/M4/P-G	DDC - 630 A 2-pole with 300 mm shaft and grey handle	88
6098950	DDC-800/2	DDC - 800 A 2-pole with pre-mounted with grey handle	87
6098951	DDC-800/2-SK	DDC - 800 A 2-pole without shaft and handle	87
6098952	DDC-800/2/M4/P-G	DDC - 800 A 2-pole with 300 mm shaft and grey handle	88
6098953	DDC-1000/2	DDC - 1000 A 2-pole with pre-mounted with grey handle	87
6098954	DDC-1000/2-SK	DDC - 1000 A 2-pole without shaft and handle	87
6098955	DDC-1000/2/M4/P-G	DDC - 1000 A 2-pole with 300 mm shaft and grey handle	88
6098956	DDC-1250/2	DDC - 1250 A 2-pole with pre-mounted with grey handle	87
6098957	DDC-1250/2-SK	DDC - 1250 A 2-pole without shaft and handle	87
6098958	DDC-1250/2/M4/P-G	DDC - 1250 A 2-pole with 300 mm shaft and grey handle	88
6099271	DMV-250/3/M4/P-G	DMV - 250 A 3-pole with grey padlockable handle and 400 mm shaft	8
6099272	DMV-400/3/M4/P-G	DMV - 400 A 3-pole with grey padlockable handle and 400 mm shaft	8
6099273	DMV-250/3/M4/P-G	DMV - 250 A 4-pole with grey padlockable handle and 400 mm shaft	8
6099274	DMV-400/4/M4/P-G	DMV - 400 A 4-pole with grey padlockable handle with 400 mm shaft	8
6101137	AUX1N0+1NC+BOX3	DDC - Auxiliary contact set for DDC 800 A to DDC 1250 A	91
		QSA - Auxiliary contact set	63
BAO	BAO	BS Fuse links	78
C10	C10	C10 cylindrical fuse links	129
CCP2-AUX	CCP2-AUX	Auxiliary contacts for CCP2	104 and 118

Article number	Part number	Description	Page
CCP2-CC	CCP2-CC	CCP Class CC, Supplemental and IEC - Switch only	115
CCP2-CF	CCP2-CF	CCP UL 98 - Switch only	101
CCP2-DCC	CCP2-DCC	CCP Class CC - Switch only	116
CCP2-DCM	CCP2-DCM	CCP Supplemental and IEC - Switch only	116
CCP2-H4X	CCP2-H4X	Handles for CCP2	103 and 117
CCP2-MW	CCP2-MW	Multi wire lug kits for CCP2	104 and 118
CCP2R-CC	CCP2R-CC	CCP Class CC - Right front rotary operation	115
CCP2R-CF	CCP2R-CF	CCP UL 98 - Right front rotary, clockwise operated switch	101
CCP2RL-CC	CCP2RL-CC	CCP Class CC - Left front rotary operation	115
CCP2RL-CF	CCP2RL-CF	CCP UL 98 - Left front rotary, clockwise operated switch	101
CCP2RL-M	CCP2RL-M	CCP Supplemental and IEC - Left front rotary operation	115
CCP2R-M	CCP2R-M	CCP Supplemental and IEC - Right front rotary operation	115
CCP2S-CC	CCP2S-CC	CCP Class CC - right side rotary operation	116
CCP2S-CF	CCP2S-CF	CCP UL 98 - Right side rotary, clockwise operated switch	102
CCP2-SHI	CCP2-SHI	Shafts for CCP2	103 and 117
CCP2SL-CC	CCP2SL-CC	CCP Class CC - Left side rotary operation	116
CCP2SL-CF	CCP2SL-CF	CCP UL 98 - Left side rotary, clockwise operated switch	102
CCP2SL-M	CCP2SL-M	CCP Supplemental and IEC - Left side rotary operation	116
CCP2S-M	CCP2S-M	CCP Supplemental and IEC - right side rotary operation	116
CCP2-TSI	CCP2-TSI	Terminal shrouds for CCP2	104 and 118
CD	CD	BS Fuse links	79
CEO	CEO	BS Fuse links	78
D27	D27	D fuse for Pasco/Paco	84
D33	D33	D fuse for Pasco/Paco	84
DD	DD	BS Fuse links	79
ED	ED	BS Fuse links	79
EF	EF	BS Fuse links	80
FCF	FCF	Fast acting CUBEFuse	112
FF	FF	BS Fuse links	80
FNM	FNM	FNM Time delay supplemental fuse links	125
FNQ	FNQ	FNQ Time-delay supplemental fuse links	126
FNQ-R	FNQ-R	FNQ-R Limitron fuse links	123
GF	GF	BS Fuse links	80
KLM	KLM	KLM Fast acting supplemental fuse links	128
KTK	KTK	KTK Fast acting supplemental fuse links	127
KTK-R	KTK-R	KTK-R Limitron fuse links	124
LP-CC	LP-CC	LP-CC Low peak fuse links	122
NHxB	NHxB	NH Fuse links	76
NHxBI	NHxBI	NH Fuse links	77
TC	TC	BS Fuse links	79
TCF	TCF	Time delay CUBEFuse	111
TCP	TCP	BS Fuse links	78
TF	TF	BS Fuse links	79
TIS	TIS	BS Fuse links	78
TKF	TKF	BS Fuse links	80
TMF	TMF	BS Fuse links	80
TTM	TTM	BS Fuse links	80

Eaton is an intelligent power management company dedicated to improving the quality of life and protecting the environment for people everywhere. We are guided by our commitment to do business right, to operate sustainably and to help our customers manage power - today and well into the future. By capitalizing on the global growth trends of electrification and digitalization, we're accelerating the planet's transition to renewable energy, helping to solve the world's most urgent power management challenges, and doing what's best for our stakeholders and all of society.

For more information, visit www.eaton.com.
Follow us on LinkedIn.

Changes to the products, to the information contained in this document, and to prices are reserved; so are errors and omissions. Only order confirmations and technical documentation by Eaton is binding. Photos and pictures also do not warrant a specific layout or functionality. Their use in whatever form is subject to prior approval by Eaton. The same applies to Trademarks (especially Eaton, Moeller, and Cutler-Hammer). The Terms and Conditions of Eaton apply, as referenced on Eaton Internet pages and Eaton order confirmations.

Eaton Industries GmbH
Hein-Moeller-Str. 7-11
D-53115 Bonn/Germany

© 2018 Eaton
All Rights Reserved
Printed in the United Kingdom
Publication No. CA008011EN
October 2023

Eaton is a registered trademark.
All other trademarks are property
of their respective owners.

Follow us on social media to get the
latest product and support information.

