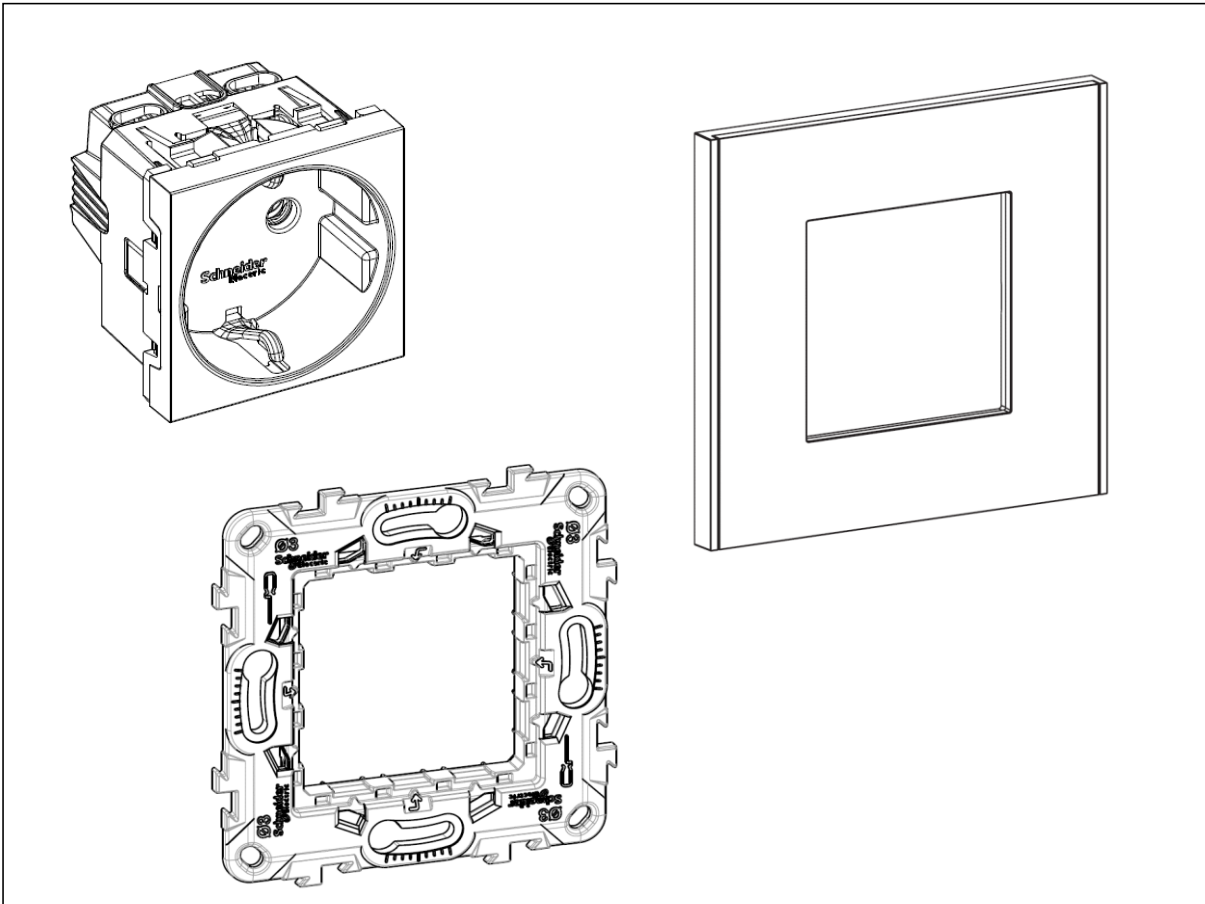


Product Environmental Profile

Unica socket outlet 2P+E schuko - 16A, shuttered, screw, complete product

As representative product for :

All Unica socket outlets

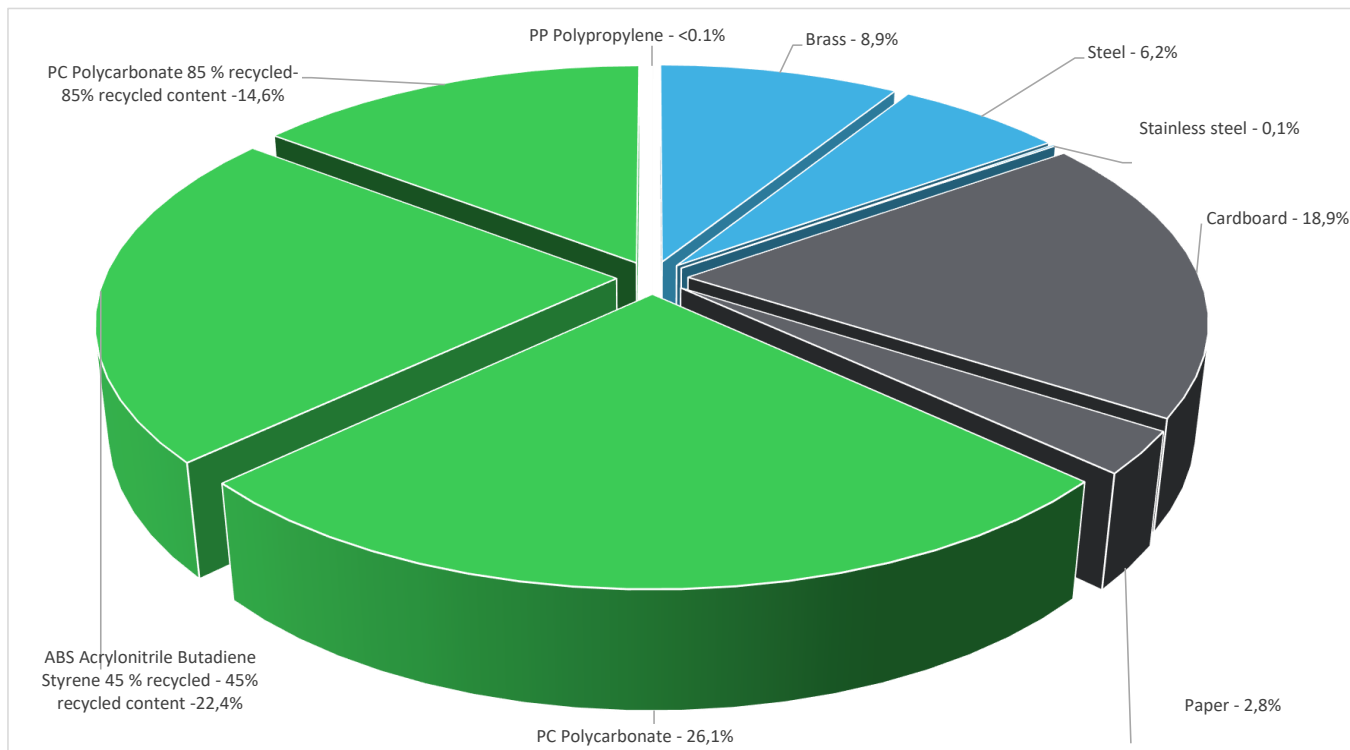


General information

Reference product	Unica socket outlet 2P+E schuko - 16A, shuttered, screw, complete product - Socket NU303718 - Fixing frame NU7002P - Cover frame NU600218
Description of the product	The main function of this complete Unica socket outlet is to allow users to connect and disconnect the plug of an electrical load and to connect to the electrical network. This socket-outlet is 2P + E with shutters, ensuring safety protection, with screw terminals connection.
Description of the range	The products of the range are all other Unica Socket outlets : with or without earth, flush or not, with screw or screwless terminals, for single or multiple gangs, and for all finishing types. It contains all single, double or more sockets outlets, with or without lamp, with plastic/metal fixing frames or working stations. The environmental impacts of this reference product are representative of the impacts of the other products of the range which are developed with a similar technology.
Functional unit	Connect/Disconnect during 20 years the plug of a load consuming 16 A under a voltage of 250 V while protecting the user from direct contact with live parts and with a protection class IP21D in accordance with the standard IEC 60529 and IK04 in accordance with the standard IEC 62262 .
Specifications are:	In = 16 A U = 250 V low voltage

Constituent materials

Reference product mass 74,85 g including the product, its packaging and additional elements and accessories



Plastics	63,1%
Metals	15,2%
Others	21,7%

Substance assessment

Details of ROHS and REACH substances information are available on the Schneider-Electric Green Premium website <https://www.se.com/ww/en/work/support/green-premium/>

Additional environmental information

End Of Life	Recyclability potential:	8%	The recyclability rate was calculated from the recycling rates of each material making up the product with the exception of data using the ESR database. For materials or components using the ESR database or the absence of data the conservative hypothesis "0% recyclability" was used.
-------------	--------------------------	-----------	---

Environmental impacts

Reference service life time	20 years		
Product category	Power socket - Household / Commercial		
Installation elements	The product does not require special installation procedure and requires little to no energy to install. The disposal of the packaging materials are accounted during the installation phase (including transport to disposal).		
Use scenario	Load rate = 10% In Use rate = 30% RLT		
Time representativeness	The collected data are representative of the year 2023		
Technological representativeness	The main function of this complete Unica socket outlet is to allow users to connect and disconnect the plug of an electrical load and to connect to the electrical network. This socket-outlet is 2P + E with shutters, ensuring safety protection, with screw terminals connection.		
Geographical representativeness	Europe		
Energy model used	[A1 - A3]	[A5]	[B6]
	Spain, ES	Electricity Mix; Low voltage; 2018; France, FR	Electricity Mix; Low voltage; 2018; France, FR
			[C1 - C4]
			Electricity Mix; Low voltage; 2018; France, FR

Detailed results of the optional indicators mentioned in PCRed4 are available in the LCA report and on demand in a digital format - Country Customer Care Center - <http://www.schneider-electric.com/contact>

Mandatory Indicators		Unica socket outlet 2P+E schuko - 16A, shuttered, screw, complete product - Socket NU303718 - Fixing frame NU7002P - Cover frame NU600218						
Impact indicators	Unit	Total (without Module D)	[A1 - A3] - Manufacturing	[A4] - Distribution	[A5] - Installation	[B1 - B7] - Use	[C1 - C4] - End of life	[D] - Benefits and loads
Contribution to climate change	kg CO2 eq	5,79E-01	3,60E-01	1,46E-02	1,74E-02	4,32E-02	1,44E-01	2,47E-02
Contribution to climate change-fossil	kg CO2 eq	5,64E-01	3,45E-01	1,46E-02	1,66E-02	4,30E-02	1,44E-01	2,48E-02
Contribution to climate change-biogenic	kg CO2 eq	1,53E-02	1,44E-02	0*	8,23E-04	1,11E-04	0*	-2,77E-05
Contribution to climate change-land use and land use change	kg CO2 eq	2,14E-05	2,14E-05	0*	0*	0*	0*	1,25E-05
Contribution to ozone depletion	kg CFC-11 eq	1,54E-07	1,53E-07	2,23E-11	2,25E-10	6,35E-10	1,32E-10	-2,10E-09
Contribution to acidification	mol H+ eq	2,90E-03	2,36E-03	9,23E-05	5,08E-05	2,50E-04	1,48E-04	-4,84E-05
Contribution to eutrophication, freshwater	kg (PO4) ³⁻ eq	1,18E-05	8,65E-06	5,47E-09	3,98E-07	2,05E-06	7,14E-07	2,76E-09
Contribution to eutrophication marine	kg N eq	5,19E-04	3,65E-04	4,33E-05	2,21E-05	3,44E-05	5,47E-05	-1,28E-06
Contribution to eutrophication, terrestrial	mol N eq	5,59E-03	3,86E-03	4,75E-04	1,54E-04	4,94E-04	6,05E-04	3,28E-05
Contribution to photochemical ozone formation - human health	kg COVNM eq	1,61E-03	1,19E-03	1,20E-04	3,52E-05	1,02E-04	1,57E-04	1,98E-05
Contribution to resource use, minerals and metals	kg Sb eq	1,57E-05	1,57E-05	0*	0*	2,04E-08	0*	-4,78E-06
Contribution to resource use, fossils	MJ	1,60E+01	6,17E+00	2,03E-01	1,72E-01	8,29E+00	1,18E+00	9,21E-01
Contribution to water use	m3 eq	1,19E-01	9,84E-02	5,53E-05	1,36E-03	3,13E-03	1,57E-02	-3,08E-03

Inventory flows Indicators		Unica socket outlet 2P+E schuko - 16A, shuttered, screw, complete product - Socket NU303718 - Fixing frame NU7002P - Cover frame NU600218						
Inventory flows	Unit	Total (without Module D)	[A1 - A3] - Manufacturing	[A4] - Distribution	[A5] - Installation	[B1 - B7] - Use	[C1 - C4] - End of life	[D] - Benefits and loads
Contribution to use of renewable primary energy excluding renewable primary energy used as raw material	MJ	9,12E-01	1,23E-01	2,71E-04	2,26E-02	7,66E-01	4,89E-04	1,14E-01
Contribution to use of renewable primary energy resources used as raw material	MJ	3,31E-01	3,31E-01	0*	0*	0*	0*	-2,40E-01
Contribution to total use of renewable primary energy resources	MJ	1,24E+00	4,54E-01	2,71E-04	2,26E-02	7,66E-01	4,89E-04	-1,26E-01
Contribution to use of non renewable primary energy excluding non renewable primary energy used as raw material	MJ	1,49E+01	5,04E+00	2,03E-01	1,72E-01	8,29E+00	1,18E+00	3,32E-01
Contribution to use of non renewable primary energy resources used as raw material	MJ	1,12E+00	1,12E+00	0*	0*	0*	0*	5,89E-01
Contribution to total use of non-renewable primary energy resources	MJ	1,60E+01	6,17E+00	2,03E-01	1,72E-01	8,29E+00	1,18E+00	9,21E-01
Contribution to use of secondary material	kg	1,93E-02	1,93E-02	0*	0*	0*	0*	0,00E+00
Contribution to use of renewable secondary fuels	MJ	0,00E+00	0*	0*	0*	0*	0*	0,00E+00
Contribution to use of non renewable secondary fuels	MJ	0,00E+00	0*	0*	0*	0*	0*	0,00E+00
Contribution to net use of freshwater	m³	3,02E-03	2,54E-03	1,29E-06	3,16E-05	7,28E-05	3,66E-04	7,59E-05
Contribution to hazardous waste disposed	kg	1,18E+00	1,18E+00	0*	4,33E-04	6,43E-04	0*	-3,78E-01
Contribution to non hazardous waste disposed	kg	7,54E-01	6,83E-01	5,11E-04	7,44E-03	4,15E-03	5,85E-02	1,27E-02
Contribution to radioactive waste disposed	kg	1,78E-04	1,73E-04	3,64E-07	9,19E-07	1,74E-06	2,10E-06	9,92E-06
Contribution to components for reuse	kg	0,00E+00	0*	0*	0*	0*	0*	0,00E+00
Contribution to materials for recycling	kg	7,18E-03	2,54E-03	0*	9,30E-06	0*	4,63E-03	0,00E+00
Contribution to materials for energy recovery	kg	0,00E+00	0*	0*	0*	0*	0*	0,00E+00
Contribution to exported energy	MJ	4,35E-03	3,88E-04	0*	7,09E-04	0*	3,26E-03	0,00E+00

* represents less than 0.01% of the total life cycle of the reference flow

Contribution to biogenic carbon content of the product	kg de C	0,00E+00
Contribution to biogenic carbon content of the associated packaging	kg de C	4,75E-03

Mandatory Indicators		Unica socket outlet 2P+E schuko - 16A, shuttered, screw, complete product - Socket NU303718 - Fixing frame NU7002P - Cover frame NU600218							
Impact indicators	Unit	[B1 - B7] - Use	[B1]	[B2]	[B3]	[B4]	[B5]	[B6]	[B7]
Contribution to climate change	kg CO2 eq	4,32E-02	0*	0*	0*	0*	0*	4,32E-02	0*
Contribution to climate change-fossil	kg CO2 eq	4,30E-02	0*	0*	0*	0*	0*	4,30E-02	0*
Contribution to climate change-biogenic	kg CO2 eq	1,11E-04	0*	0*	0*	0*	0*	1,11E-04	0*
Contribution to climate change-land use and land use change	kg CO2 eq	0*	0*	0*	0*	0*	0*	0*	0*
Contribution to ozone depletion	kg CFC-11 eq	6,35E-10	0*	0*	0*	0*	0*	6,35E-10	0*
Contribution to acidification	mol H+ eq	2,50E-04	0*	0*	0*	0*	0*	2,50E-04	0*
Contribution to eutrophication, freshwater	kg (PO4) ³⁻ eq	2,05E-06	0*	0*	0*	0*	0*	2,05E-06	0*
Contribution to eutrophication marine	kg N eq	3,44E-05	0*	0*	0*	0*	0*	3,44E-05	0*
Contribution to eutrophication, terrestrial	mol N eq	4,94E-04	0*	0*	0*	0*	0*	4,94E-04	0*
Contribution to photochemical ozone formation - human health	kg COVNM eq	1,02E-04	0*	0*	0*	0*	0*	1,02E-04	0*
Contribution to resource use, minerals and metals	kg Sb eq	2,04E-08	0*	0*	0*	0*	0*	2,04E-08	0*
Contribution to resource use, fossils	MJ	8,29E+00	0*	0*	0*	0*	0*	8,29E+00	0*
Contribution to water use	m3 eq	3,13E-03	0*	0*	0*	0*	0*	3,13E-03	0*


Inventory flows Indicators		Unica socket outlet 2P+E schuko - 16A, shuttered, screw, complete product - Socket NU303718 - Fixing frame NU7002P - Cover frame NU600218							
Inventory flows	Unit	[B1 - B7] - Use	[B1]	[B2]	[B3]	[B4]	[B5]	[B6]	[B7]
Contribution to use of renewable primary energy excluding renewable primary energy used as raw material	MJ	7,66E-01	0*	0*	0*	0*	0*	7,66E-01	0*
Contribution to use of renewable primary energy resources used as raw material	MJ	0*	0*	0*	0*	0*	0*	0*	0*
Contribution to total use of renewable primary energy resources	MJ	7,66E-01	0*	0*	0*	0*	0*	7,66E-01	0*
Contribution to use of non renewable primary energy excluding non renewable primary energy used as raw material	MJ	8,29E+00	0*	0*	0*	0*	0*	8,29E+00	0*
Contribution to use of non renewable primary energy resources used as raw material	MJ	0*	0*	0*	0*	0*	0*	0*	0*
Contribution to total use of non-renewable primary energy resources	MJ	8,29E+00	0*	0*	0*	0*	0*	8,29E+00	0*
Contribution to use of secondary material	kg	0*	0*	0*	0*	0*	0*	0*	0*
Contribution to use of renewable secondary fuels	MJ	0*	0*	0*	0*	0*	0*	0*	0*
Contribution to use of non renewable secondary fuels	MJ	0*	0*	0*	0*	0*	0*	0*	0*
Contribution to net use of freshwater	m³	7,28E-05	0*	0*	0*	0*	0*	7,28E-05	0*
Contribution to hazardous waste disposed	kg	6,43E-04	0*	0*	0*	0*	0*	6,43E-04	0*
Contribution to non hazardous waste disposed	kg	4,15E-03	0*	0*	0*	0*	0*	4,15E-03	0*
Contribution to radioactive waste disposed	kg	1,74E-06	0*	0*	0*	0*	0*	1,74E-06	0*
Contribution to components for reuse	kg	0*	0*	0*	0*	0*	0*	0*	0*
Contribution to materials for recycling	kg	0*	0*	0*	0*	0*	0*	0*	0*
Contribution to materials for energy recovery	kg	0*	0*	0*	0*	0*	0*	0*	0*
Contribution to exported energy	MJ	0*	0*	0*	0*	0*	0*	0*	0*

* represents less than 0.01% of the total life cycle of the reference flow

Life cycle assessment performed with EIME version v6.1, database version 2023-02 in compliance with ISO14044, EF 3.0 method is applied, for biogenic carbon storage, assessment methodology 0/0 is used

According to this environmental analysis, proportionality rules may be used to evaluate the impacts of other products of this range, ratios to apply can be provided upon request

Please note that the values given above are only valid within the context specified and cannot be used directly to draw up the environmental assessment of an installation.

Registration number :	SCHN-01158-V01.01-EN	Drafting rules	PCR-4-ed4-EN-2021 09 06
		Supplemented by	PSR-0005-ed3.1-EN-2023 12 08
Verifier accreditation N°	VH48	Information and reference documents	www.pep-ecopassport.org
Date of issue	05-2024	Validity period	5 years
Independent verification of the declaration and data, in compliance with ISO 14025 : 2006			
Internal External X			
The PCR review was conducted by a panel of experts chaired by Julie Orgelet (DDemain)			
PEPs are compliant with XP C08-100-1:2016 and EN 50693:2019 or NF E38-500 :2022			
The components of the present PEP may not be compared with components from any other program.			
Document complies with ISO 14025:2006 "Environmental labels and declarations. Type III environmental declarations"			
			

Schneider Electric Industries SAS

Country Customer Care Center
<http://www.se.com/contact>

35, rue Joseph Monier
 CS 30323
 F- 92500 Rueil Malmaison Cedex
 RCS Nanterre 954 503 439
 Capital social 928 298 512 €

www.se.com

Published by Schneider Electric

SCHN-01158-V01.01-EN

©2024 - Schneider Electric – All rights reserved

05-2024