



DIAZED base DIII 63 A 690 V AC 500 V DC Clamp terminal/saddle terminal

Figure similar

Model	
product brand name	SETRON
product designation	DIAZED fuse system
design of the product	DIAZED base
design of the fuse base	gauge inset
General technical data	
number of poles	1
size of fuse system according to EN 60269-1	DIII
Supply voltage	
supply voltage at AC	690 V
operational current rated value	63 A
Product details	
product component cover	No
Mechanical Design	
height	80 mm
width	46 mm
depth	47 mm
fastening method	DIN rail
net weight	179 g
material of the enclosure	porcelain

Approvals Certificates	
General Product Approval	other



[Confirmation](#)



[Miscellaneous](#)

other	Environment
-------	-------------

[Confirmation](#)

[Environmental Confirmations](#)

Further information

Information on the packaging
<https://support.industry.siemens.com/cs/ww/en/view/109813875>
 Information- and Downloadcenter (Catalogs, Brochures,...)

<http://www.siemens.com/lowvoltage/catalogs>

Industry Mall (Online ordering system)

<https://mall.industry.siemens.com/mall/en/en/Catalog/product?mlfb=5SF1205>

Service&Support (Manuals, Certificates, Characteristics, FAQs,...)

<https://support.industry.siemens.com/cs/ww/en/ps/5SF1205>

Image database (product images, 2D dimension drawings, 3D models, device circuit diagrams, ...)

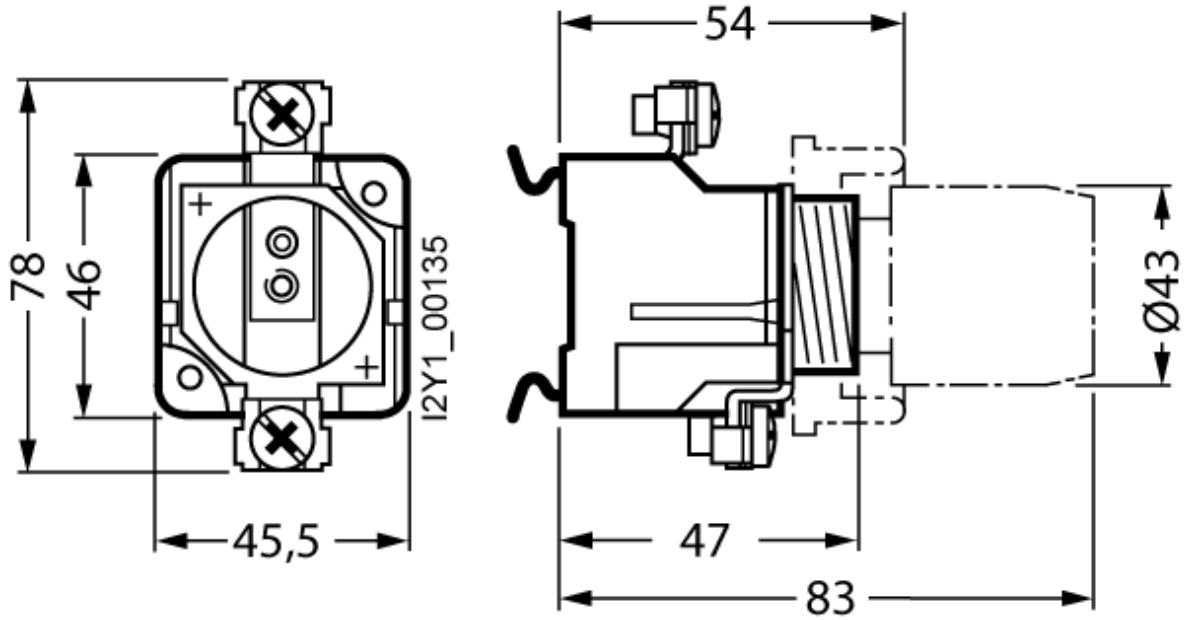
http://www.automation.siemens.com/bilddb/cax_en.aspx?mlfb=5SF1205

CAX-Online-Generator

<http://www.siemens.com/cax>

Tender specifications

<http://www.siemens.com/specifications>



last modified:

12/19/2020 

