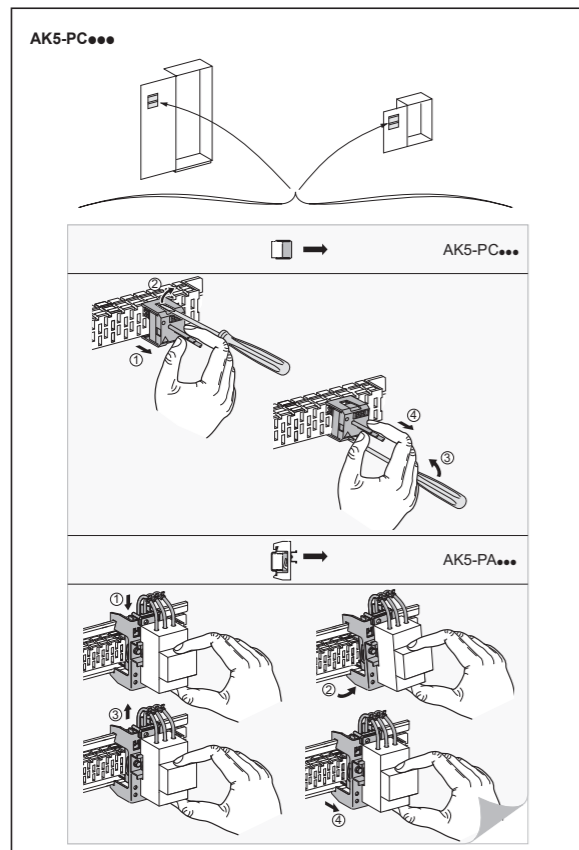
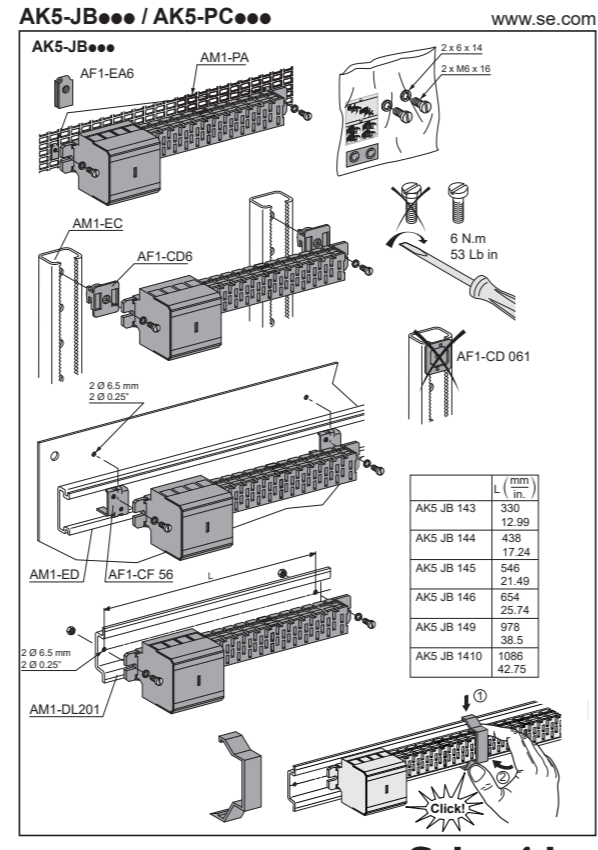


RECTO



W9 1319371 0111 A08

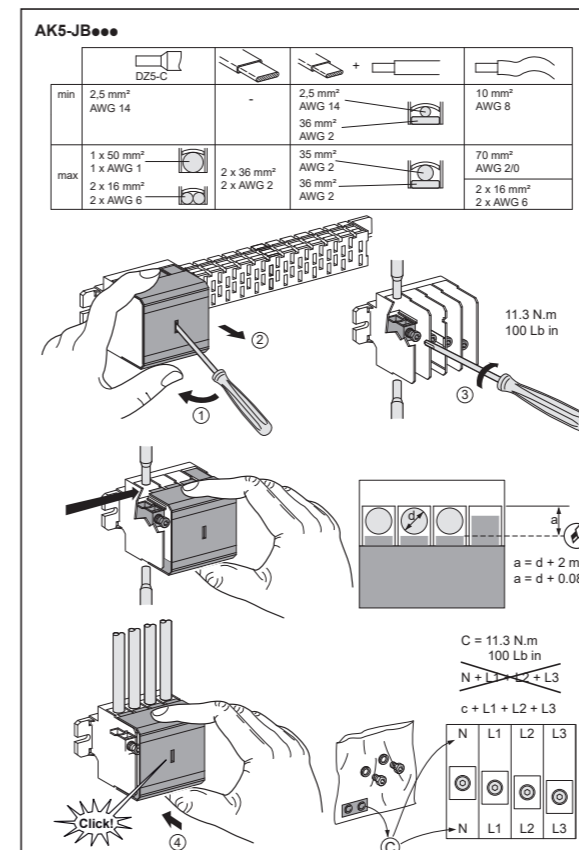
4/4



W9 1319371 0111 A08
06 - 2022
1/4

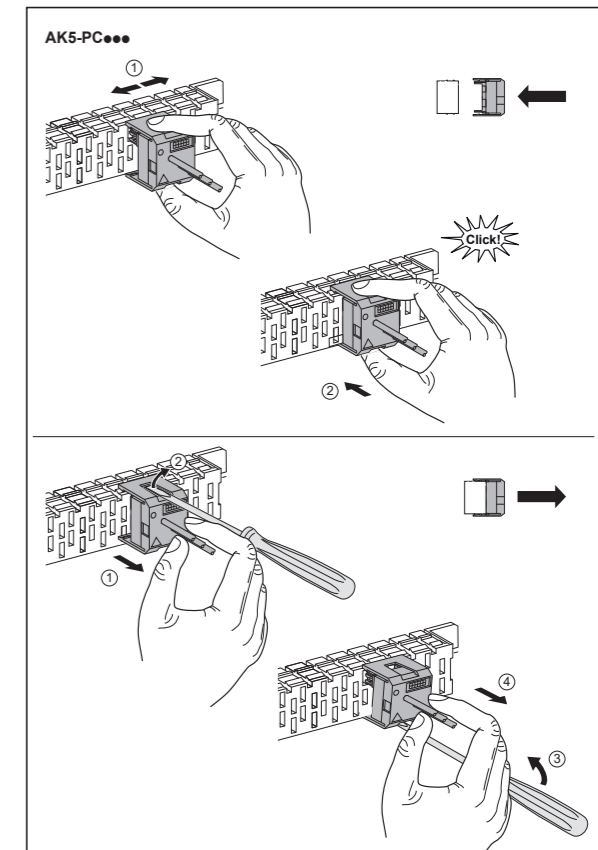
Schneider Electric

VERSO



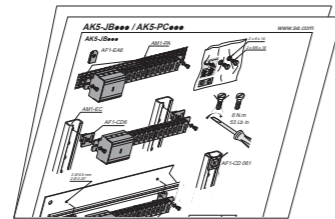
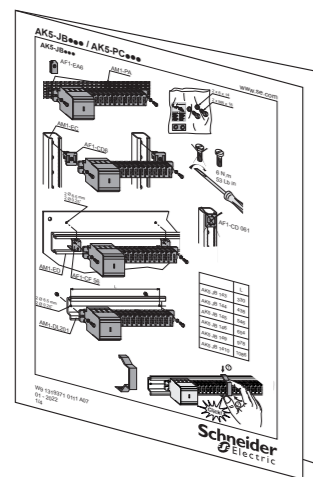
W9 1319371 0111 A08

2/4



W9 1319371 0111 A08

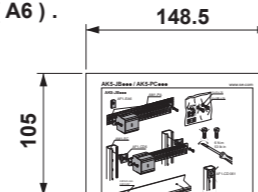
3/4



Impression Recto-Verso noire, sur feuille couche mat 64g/m² minimum de couleur blanche, format A4.
Black print in white paper 64g/m², format A4.

L'impression sera centrée sur la feuille avec une précision de ± 1 mm.
The printing will focus on the sheet with an accuracy of ± 1 mm.

Format de pliage / Format folding :
148.5 x 105 mm (A6).



Article / Part : W9 1319371 0111 A08

AN660412	Karthik S	08	Torque value updation.	Units of measure : mm
	Scale : 1:1	Tolerancing Standard :		
Schneider Electric		AK5-JB/PC... : INSTRUCTION DE SERVICE . AK5-JB/PC... : INSTRUCTION SHEET .		
		Number : 131937101A50	Rev : 08	Sheet : 01/01

All informations and data contained in this document are the exclusive property of Schneider Electric Industries SAS and may neither be used nor disclosed without its prior written consent

State : FRANCE

FORMAT A3