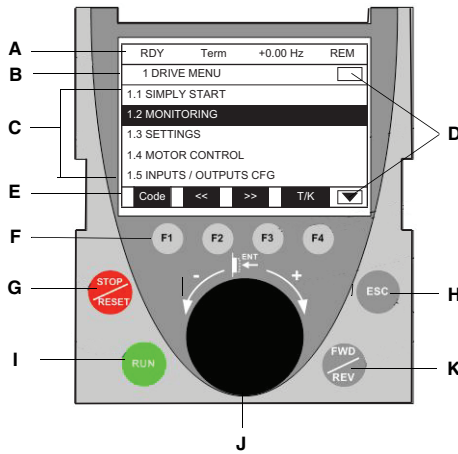


ALTIVAR 61 GRAPHIC DISPLAY TERMINAL



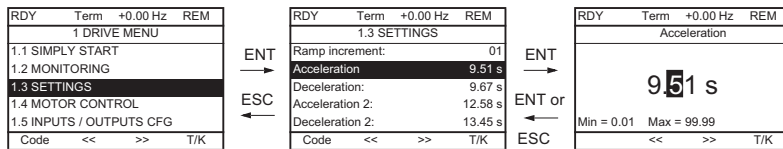
Description and Operation

- A Display status**—displays default settings: the drive's state, active control channels, frequency reference, and LOC/REM (T/K key status). The Display Status content can be configured.
- B Menu line**—displays the name of the current menu or submenu.
- C Submenus**—lists the submenus of the current menu.
- D Scroll boxes**—indicates (by arrow direction) whether there are additional submenus or levels to access. A blank box indicates that there are no additional submenus or levels to access.
- E Status line**—displays the functions assigned to function buttons F1–F4: **Code** (F1), **<<** (F2), **>>** (F3), **T/K** (F4). See the descriptions below.
- F Function buttons**—
 - F1:** displays the code of the selected parameter or contextual Help
 - F2:** navigates to the left or returns to the previous menu or submenu
 - F3:** navigates to the right or advances to the next menu or submenu
 - F4:** command and reference via the terminal or keypad
- G Stop/Reset button**—stops the drive controller and resets the faults when in HMI command mode.
- H ESC button**—exits a menu or parameter, or cancels a value to return to the previous value in the memory.
- I Run button**—runs the motor with the current setting. Starts the drive controller if in HMI command mode.
- J Navigation button/dial**—pressing the button saves a value or enters a menu or parameter. Turning the dial clockwise increases a value or advances to the next menu item or line. Turning the dial counter-clockwise decreases a value or backs up to the previous menu item or line. In HMI mode, the dial acts as a speed reference control.
- K FWD/REV button**—reverses the rotation direction of the motor (if configured to allow reverse for HMI command mode).

NOTE: Refer to the Altivar 61 programming manual for detailed information about the display terminal operations.

PROGRAMMING PARAMETERS

Example of accessing the acceleration ramp setting



Changing a parameter

1. Use the navigation dial to vertically scroll the DRIVE MENU list, press ENT (navigation button) to select the submenu.
2. Select the parameter to change and press ENT.
3. Use F1 and F2 to scroll horizontally, then select the digit to change (the digit is highlighted).
4. Turn the navigation dial clockwise to increase the digit or counter-clockwise to decrease the digit.
5. Press ENT to save the change or press the ESC button to cancel the change.

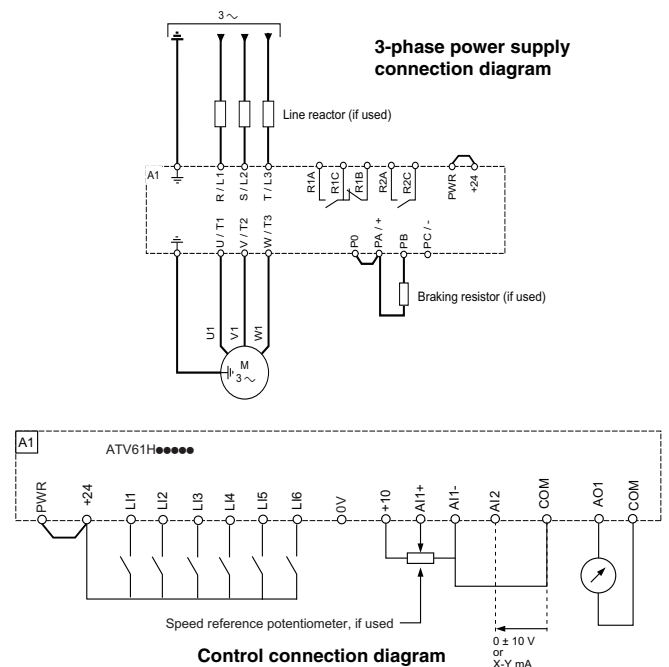
MACRO CONFIGURATION PARAMETERS

Input/output	[Start/Stop]	[Gen. Use]	[PID regul.]	[Network C.]	[Pumps.Fans]
A11	[Ref.1 channel]	[Ref.1 channel]	[Ref.1 channel] (PID reference)	[Ref.2 channel] ([Ref.1 channel] = integrated Modbus)	[Ref.1 channel]
A12	[No]	[Summing ref. 2]	[PID feedback]	[No]	[Ref.1B channel]
AO1	[No]	[No]	[No]	[No]	[No]
R1	[No drive fit]	[No drive fit]	[No drive fit]	[No drive fit]	[No drive fit]
R2	[No]	[No]	[No]	[No]	[Drv running]
LI1 (2-wire)	[Forward]	[Forward]	[Forward]	[Forward]	[Forward]
LI2 (2-wire)	[Fault reset]	[Reverse]	[Fault reset]	[Fault reset]	[No]
LI3 (2-wire)	[No]	[Jog]	[PID integral reset]	[Ref. 2 switching]	[Ref 1B switching]
LI4 (2-wire)	[No]	[Fault reset]	[2 preset PID ref.]	[Forced local]	[Fault reset]
LI5 (2-wire)	[No]	[No]	[4 preset PID ref.]	[No]	[No]
LI6 (2-wire)	[No]	[No]	[No]	[No]	[No]
LI1 (3-wire)	Stop	Stop	Stop	Stop	Stop
LI2 (3-wire)	[Forward]	[Forward]	[Forward]	[Forward]	[Forward]
LI3 (3-wire)	[Fault reset]	[Reverse]	[Fault reset]	[Fault reset]	[No]
LI4 (3-wire)	[No]	[Jog]	[PID integral reset]	[Ref. 2 switching]	[Ref 1B switching]
LI5 (3-wire)	[No]	[Fault reset]	[2 preset PID ref.]	[Forced local]	[Fault reset]
LI6 (3-wire)	[No]	[No]	[4 preset PID ref.]	[No]	[No]
Option cards					
LI7 to LI14	[No]	[No]	[No]	[No]	[No]
LO1 to LO4	[No]	[No]	[No]	[No]	[No]
R3/R4	[No]	[No]	[No]	[No]	[No]
A13, A14	[No]	[No]	[No]	[No]	[No]
RP	[No]	[No]	[No]	[No]	[No]
AO2	[I motor]	[I motor]	[I motor]	[I motor]	[I motor]
AO3	[No]	[No]	[PID Output]	[No]	[No]
Graphic display terminal keys					
F1 key	[No]	[No]	[No]	[No]	[No]
F2, F3 keys	[No]	[No]	[No]	[No]	[No]
F4 key	[T/K] (Control via graphic display terminal)	[T/K] (Control via graphic display terminal)	[T/K] (Control via graphic display terminal)	[T/K] (Control via graphic display terminal)	[T/K] (Control via graphic display terminal)

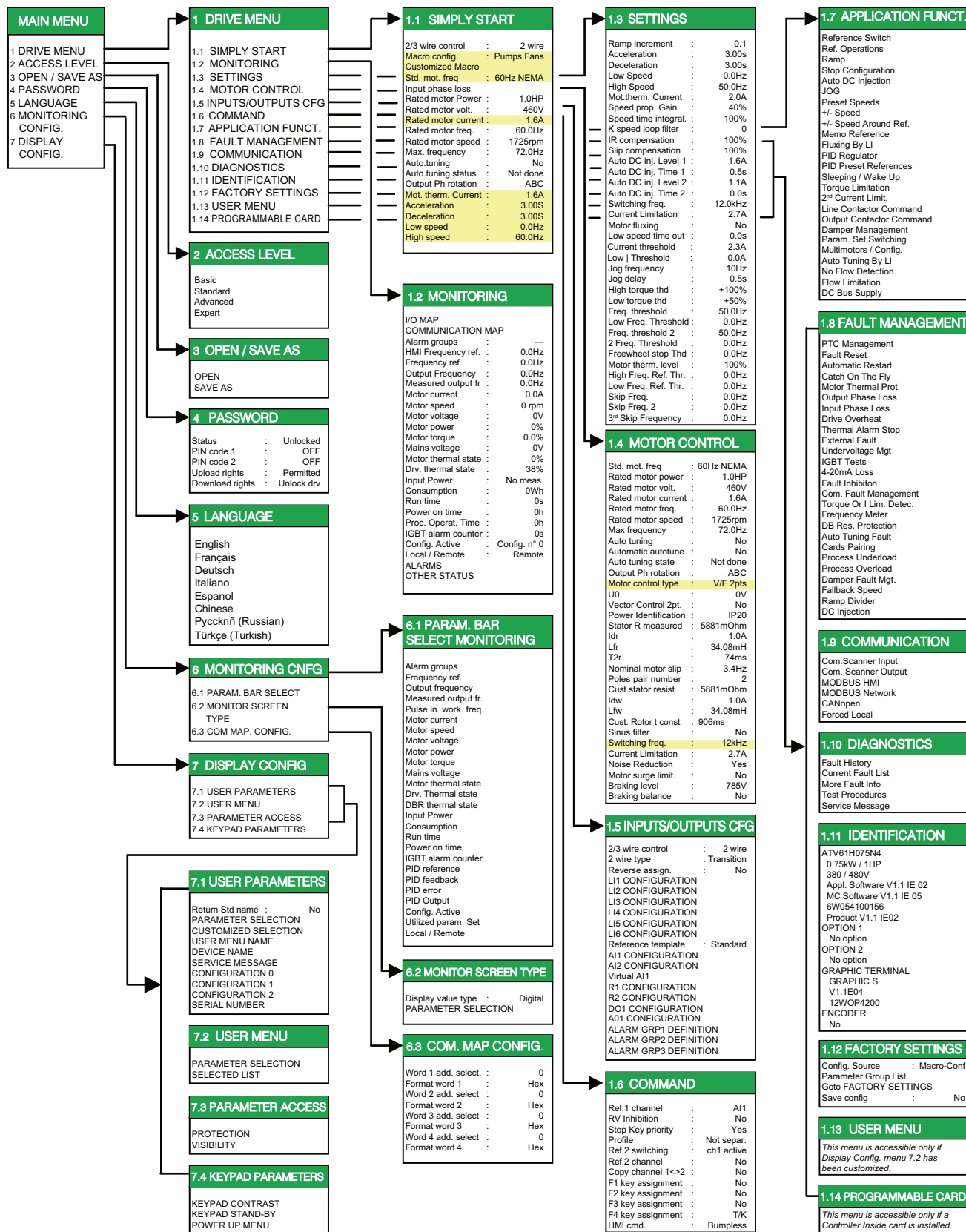
NOTE: The Macro-Configuration factory setting is [Pumps.Fans].

In 3-wire control, the assignment of inputs LI1 to LI7 shifts.

TYPICAL CONNECTIONS



NOTE: Altivar 61 drive controllers come standard with a graphic keypad display terminal as well as a 7-segment, 4-digit integrated display terminal. The lower horsepower Altivar 61 drives can be ordered without the graphic keypad display terminal.



NOTE:

- The key drive settings to monitor are highlighted in yellow. Refer to the Altivar 61 programming manual for additional programming instructions.
- All menu levels are accessible through the Expert access level.