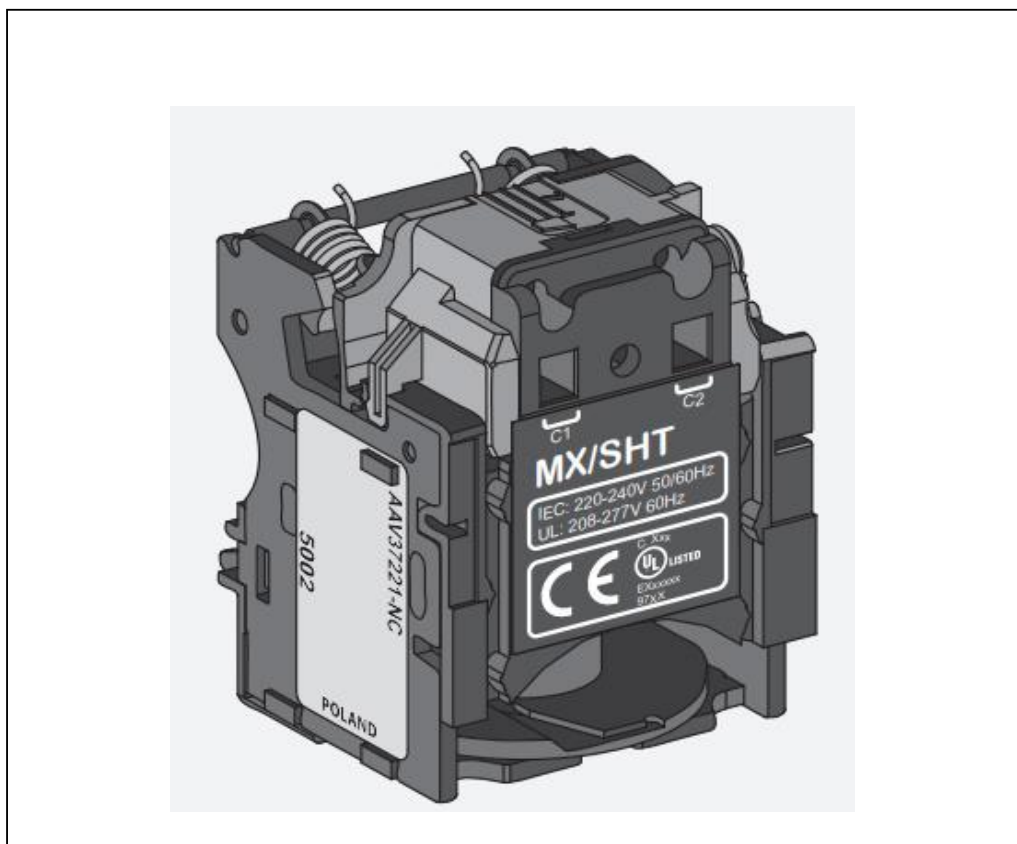


Product Environmental Profile

NSX shunt release MX 220-240V 50/60HZ screwless





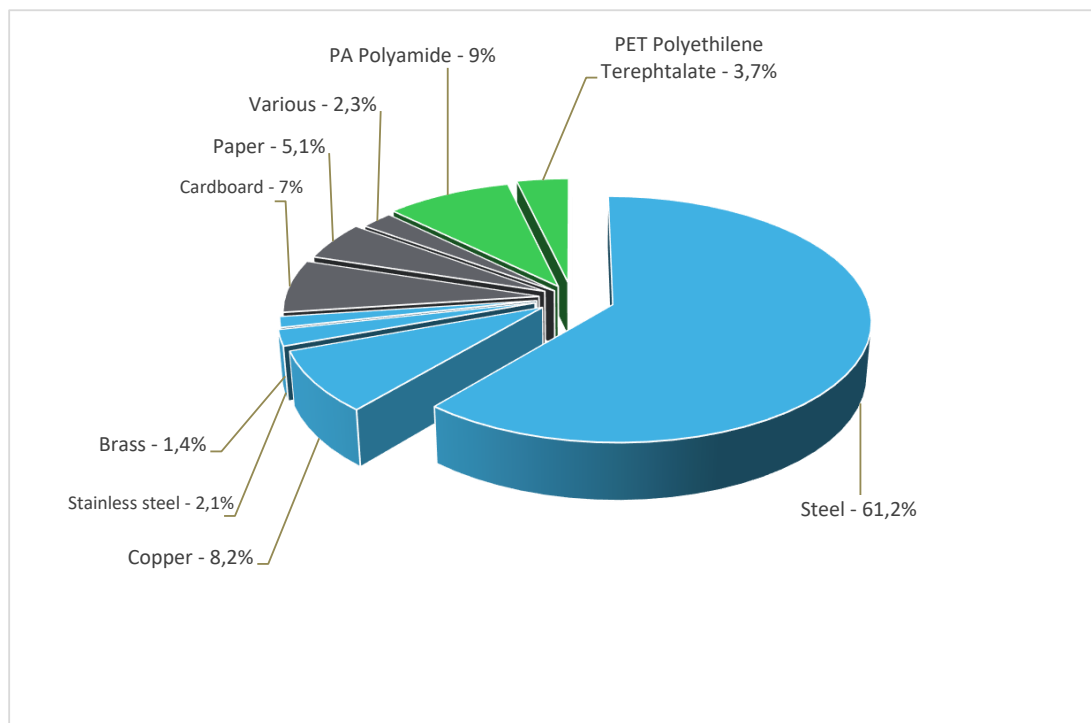
General information

Representative product	NSX shunt release MX 220-240V 50/60HZ screwless - LV429387
Description of the product	The NSX shunt release opens the circuit breaker when it is supplied. It automatically trips the breaker.
Functional unit	Shunt allow user to remotely trip the circuit breaker during 10 years in accordance with IEC 60947-2.



Constituent materials

Reference product mass	122,8 g including the product, its packaging and additional elements and accessories
-------------------------------	--



Plastics	12,7%
Metals	72,9%
Others	14,4%



Substance assessment

Products of this range are designed in conformity with the requirements of the RoHS directive (European Directive 2011/65/EU of 2 January 2013, amended in March 2015, 2015/863/EU and in November 2017, 2017/2102/EU) and do not contain, or only contain in the authorised proportions, lead, mercury, cadmium, hexavalent chromium or flame retardants (polybrominated biphenyls - PBB, polybrominated diphenyl ethers – PBDE), Bis (2-ethylhexyl)phthalate - DEHP, Benzyl butyl phthalate– BBP, Dibutyl phthalate - DBP, Diisobutyl phthalate - DIBP) as mentioned in the Directive.

Details of ROHS and REACH substances information are available on the Schneider-Electric Green Premium website <http://www2.schneider-electric.com/sites/corporate/en/products-services/green-premium/green-premium.page>

Additional environmental information

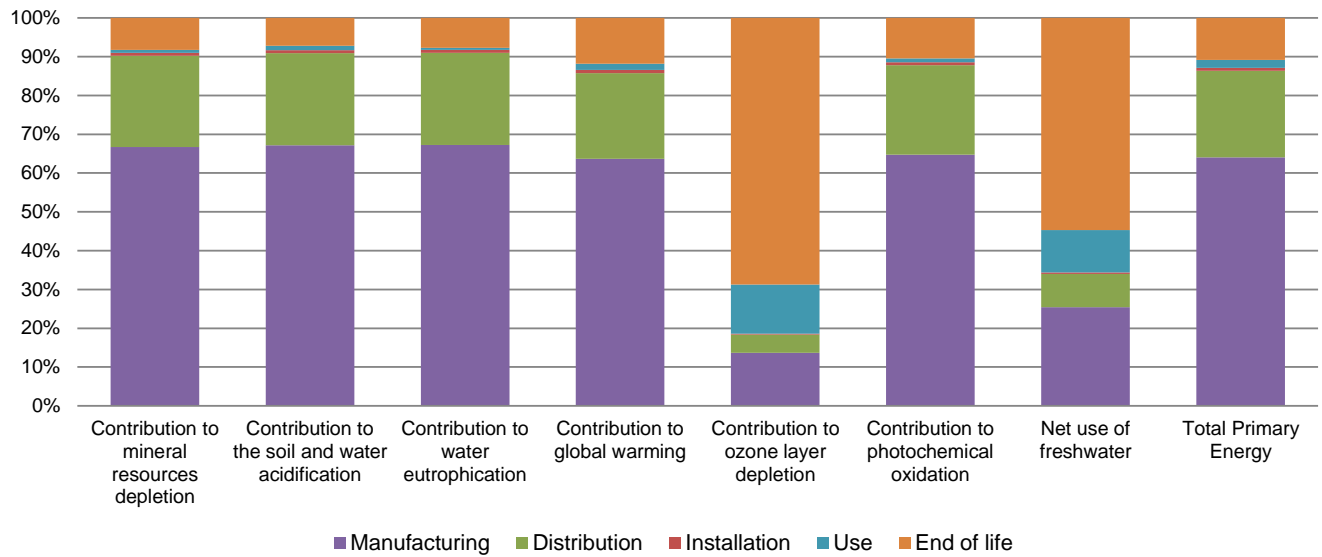
The NSX shunt release MX 220-240V 50/60HZ screwless presents the following relevant environmental aspects

Manufacturing	Manufactured at a Schneider Electric production site ISO14001 certified
Distribution	Weight and volume of the packaging optimized, based on the European Union's packaging directive Packaging weight is 10,3 g, consisting of Cardboard (60%) Paper (40%) Packaging recycled materials is 100% of total packaging mass. Product distribution optimised by setting up local distribution centres
Installation	LV429387 does not require any installation operations.
Use	The product does not require special maintenance operations.
End of life	End of life optimized to decrease the amount of waste and allow recovery of the product components and materials This product contains 2 plastic parts with halogenated flame retardant (4,8g) that should be separated from the stream of waste so as to optimize end-of-life treatment. The location of these components and other recommendations are given in the End of Life Instruction document which is available on the Schneider-Electric Green Premium website http://www2.schneider-electric.com/sites/corporate/en/products-services/green-premium/green-premium.page Recyclability potential: 79% Based on "ECO'DEEE recyclability and recoverability calculation method" (version V1, 20 Sep. 2008 presented to the French Agency for Environment and Energy Management: ADEME).

Environmental impacts

Reference life time	10 years			
Product category	Other equipments - Active product			
Installation elements	No special components needed			
Use scenario	The product is in active mode 0,00015% of the time with a power use of 10VA and in off mode 99,99% of the time, for 10 years			
Geographical representativeness	China, Europe			
Technological representativeness	The NSX shunt release opens the circuit breaker when it is supplied. It automatically trips the breaker. The data used to make this PEP are the most representative of the product studied. No missing data is to be declared.			
Energy model used	Manufacturing	Installation	Use	End of life
	Energy model used: China and Europe	Electricity mix; AC; consumption mix, at consumer; 220V; CN Electricity Mix; AC; consumption at consumer; < 1kV; EU-27	Electricity mix; AC; consumption mix, at consumer; 220V; CN Electricity Mix; AC; consumption at consumer; < 1kV; EU-27	Electricity mix; AC; consumption mix, at consumer; 220V; CN Electricity Mix; AC; consumption at consumer; < 1kV; EU-27

Compulsory indicators		NSX shunt release MX 220-240V 50/60HZ screwless - LV429387					
Impact indicators	Unit	Total	Manufacturing	Distribution	Installation	Use	End of Life
Contribution to mineral resources depletion	kg Sb eq	2,70E-09	1,80E-09	6,34E-10	2,09E-11	1,87E-11	2,23E-10
Contribution to the soil and water acidification	kg SO ₂ eq	3,04E-04	2,04E-04	7,23E-05	2,33E-06	3,40E-06	2,19E-05
Contribution to water eutrophication	kg PO ₄ ³⁻ eq	7,02E-05	4,72E-05	1,67E-05	5,66E-07	3,36E-07	5,43E-06
Contribution to global warming	kg CO ₂ eq	7,15E-02	4,55E-02	1,58E-02	5,59E-04	1,18E-03	8,42E-03
Contribution to ozone layer depletion	kg CFC11 eq	6,81E-10	9,33E-11	3,21E-11	1,19E-12	8,64E-11	4,68E-10
Contribution to photochemical oxidation	kg C ₂ H ₄ eq	2,24E-05	1,45E-05	5,16E-06	1,74E-07	2,26E-07	2,34E-06
Resources use	Unit	Total	Manufacturing	Distribution	Installation	Use	End of Life
Net use of freshwater	m ³	1,65E-05	4,21E-06	1,42E-06	6,11E-08	1,80E-06	9,04E-06
Total Primary Energy	MJ	1,00E+00	6,43E-01	2,24E-01	7,30E-03	2,05E-02	1,09E-01



Optional indicators		NSX shunt release MX 220-240V 50/60HZ screwless - LV429387					
Impact indicators	Unit	Total	Manufacturing	Distribution	Installation	Use	End of Life
Contribution to fossil resources depletion	MJ	9,72E-01	6,39E-01	2,23E-01	7,25E-03	1,62E-02	8,75E-02
Contribution to air pollution	m³	3,44E+00	1,87E+00	6,74E-01	2,23E-02	1,02E-01	7,75E-01
Contribution to water pollution	m³	1,11E+01	7,48E+00	2,61E+00	8,48E-02	5,59E-02	8,59E-01
Resources use	Unit	Total	Manufacturing	Distribution	Installation	Use	End of Life
Use of secondary material	kg	0,00E+00	0*	0*	0*	0*	0*
Total use of renewable primary energy resources	MJ	2,49E-03	8,69E-04	2,99E-04	1,13E-05	1,19E-03	1,22E-04
Total use of non-renewable primary energy resources	MJ	1,00E+00	6,42E-01	2,24E-01	7,29E-03	1,93E-02	1,09E-01
Use of renewable primary energy excluding renewable primary energy used as raw material	MJ	2,49E-03	8,69E-04	2,99E-04	1,13E-05	1,19E-03	1,22E-04
Use of renewable primary energy resources used as raw material	MJ	0,00E+00	0*	0*	0*	0*	0*
Use of non renewable primary energy excluding non renewable primary energy used as raw material	MJ	1,00E+00	6,42E-01	2,24E-01	7,29E-03	1,93E-02	1,09E-01
Use of non renewable primary energy resources used as raw material	MJ	0,00E+00	0*	0*	0*	0*	0*
Use of non renewable secondary fuels	MJ	0,00E+00	0*	0*	0*	0*	0*
Use of renewable secondary fuels	MJ	0,00E+00	0*	0*	0*	0*	0*
Waste categories	Unit	Total	Manufacturing	Distribution	Installation	Use	End of Life
Hazardous waste disposed	kg	9,09E-02	0*	0*	0*	2,73E-05	9,08E-02
Non hazardous waste disposed	kg	4,71E-03	2,35E-03	5,63E-04	7,59E-05	1,38E-03	3,35E-04
Radioactive waste disposed	kg	3,11E-06	1,17E-06	4,01E-07	1,49E-08	1,01E-06	5,19E-07
Other environmental information	Unit	Total	Manufacturing	Distribution	Installation	Use	End of Life
Materials for recycling	kg	7,75E-02	7,94E-03	0*	1,03E-02	0*	5,93E-02
Components for reuse	kg	0,00E+00	0*	0*	0*	0*	0*
Materials for energy recovery	kg	4,71E-04	0*	0*	0*	0*	4,71E-04
Exported Energy	MJ	3,27E-05	3,07E-06	0*	2,96E-05	0*	0*

* represents less than 0.01% of the total life cycle of the reference flow

Life cycle assessment performed with EIME version EIME v5.9.1, database version 2016-11 in compliance with ISO14044.

Most of the impacts are on the manufacturing phase except for ODP & NUFW which are impacting in the End of life phase

Please note that the values given above are only valid within the context specified and cannot be used directly to draw up the environmental assessment of an installation.

Registration number	ENVPEP2109007_V1	Drafting rules	PCR-ed3-EN-2015 04 02
Date of issue	12/2021	Supplemented by	PSR-0005-ed2-EN-2016 03 29
Validity period	5 years	Information and reference documents	www.pep-ecopassport.org
<i>Independent verification of the declaration and data</i>			
Internal	X	External	
<i>The elements of the present PEP cannot be compared with elements from another program.</i>			
<i>Document in compliance with ISO 14021:2016 « Environmental labels and declarations - Self-declared environmental claims (Type II environmental labelling) »</i>			

Schneider Electric Industries SAS

Country Customer Care Center
<http://www.schneider-electric.com/contact>

35, rue Joseph Monier
 CS 30323

F- 92506 Rueil Malmaison Cedex
 RCS Nanterre 954 503 439
 Capital social 896 313 776 €

www.se.com

Published by Schneider Electric

ENVPEP2109007_V1

© 2019 - Schneider Electric – All rights reserved

12/2021