



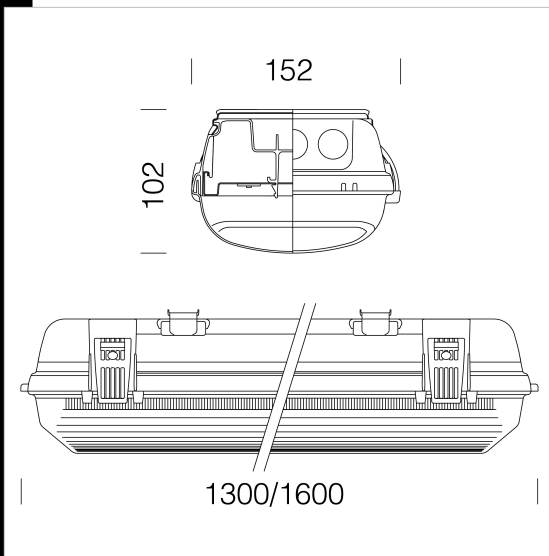
Download

DXF 2D
- 927atex.dxf



927 Echo ATEX

Housing: injection moulded, vandal resistant, UV stabilised RAL 7035 grey polycarbonate, high mechanical resistance thanks to the stiffening ribs inside the structure. Diffuser: injection moulded V2 self-extinguishing, UV stabilised clear polycarbonate, prismatic inside for better light control. The smooth outside finishing facilitates cleaning, essential to ensure maximum lighting efficiency at all times. Reflector: in galvanised steel, previously stove-enamelled with UV-stabilised polyester resin. Equipment: cable gland. life 80.000h to 80% L80B20 Photobiological safety class: exempt group EN62471. Explosion protection: II 3G Ex nA op is IIC T4 IP65 Gc Permitted dangerous zone: Zone 2 Permitted ambient temperature: -20 ° C ÷ + 40 ° C Degree of protection: IP66 Installation: ceiling - suspension Mechanical resistance of the casing: IK08 Reference standards: EN 60079-0; EN 60079-15; EN 60079-28



Code	Gear	Kg	Lumen-K-CRI	WTot	Colour
164797-00	CLD	2.26	LED-6000lm-4000K-CRI80	45 W	GREY
164798-00	CLD	2.64	LED-9264lm-4000K-CRI80	65 W	GREY

The reported luminous flux is the flux emitted by the light source with a tolerance of ± 10% compared to the indicated value. The W tot column indicates the total wattage absorbed by the system without exceeding 10% of the indicated