



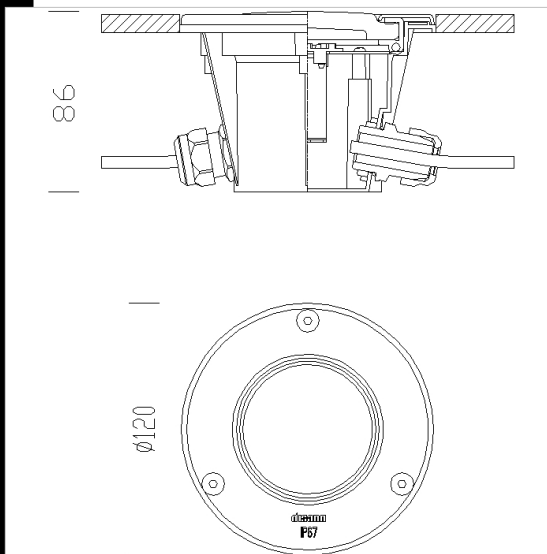
1650 Microfloor LED

Housing: Fibreglass nylon.
 Diffuser: Tempered glass, resistant to impact and thermal shock .
 Frame: Made of stainless steel (AISI 316).
 Equipment: Silicone rubber and EPDM gasket.
 Regulations: Manufactured in compliance with EN60598 - CEI 34 - 21 standards. The level of protection complies with the EN60529 standard.
 Separate transformer required (code 997663 max 26 spot)

Download

DXF 2D
 - 1650_microfloor.dxf

Montaggi
 - microfloor_led.dxf
 - MICROFLOOR_2019.pdf



Code	Gear	Kg	Lumen Output-K-CRI	WTot	Colour
530810-00	CLD S+L	0,40	LED-75lm-4000K-120°	1 W	STAINLESS STEEL

Accessori



- 314 wall frame



- 313 outer shell



- 179 watertight box CC-IP67

The reported luminous flux is the flux emitted by the light source with a tolerance of $\pm 10\%$ compared to the indicated value. The W tot column indicates the total wattage absorbed by the system without exceeding 10% of the indicated