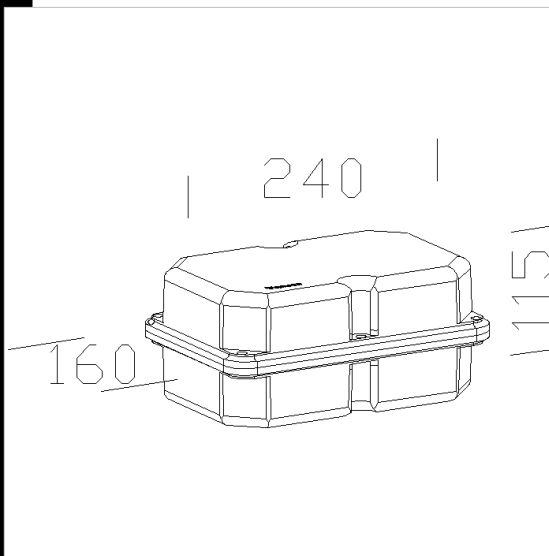
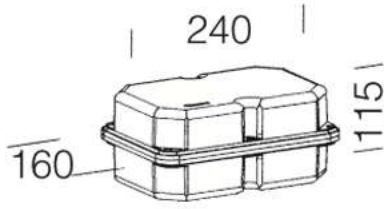




179 watertight box CC-IP677

Nylon watertight box. Containing the electro-mechanic transformer and terminal block



Code	Gear	Kg	Lumen-K-CRI	WTot	Colour
997661-00	CLD	2.21	60W---	0 W	BLACK
997667-00		1.05		50 W	BLACK
997662-00		2.21	105W---	0 W	BLACK
997663-00	CLD	0.91	LED---	0 W	BLACK
997665-00	CLD	0.93	LED---	0 W	BLACK
997666-00	CLD	1.31		0 W	BLACK

Products



- 1622 Starled - round



- 1674 Starled - rectangular version



- 1650 Microfloor LED



- 1637 Starled LED - with eyelid screen



- 1634 Microfloor LED



- 1648 Microfloor asymmetric



- 1623 Starled - LED



- 1649 Microfloor



- 1872 Midifloor



- 1870 Midifloor - swivelling



- 1638 Starled LED - Cross

The reported luminous flux is the flux emitted by the light source with a tolerance of $\pm 10\%$ compared to the indicated value. The W tot column indicates the total wattage absorbed by the system without exceeding 10% of the indicated