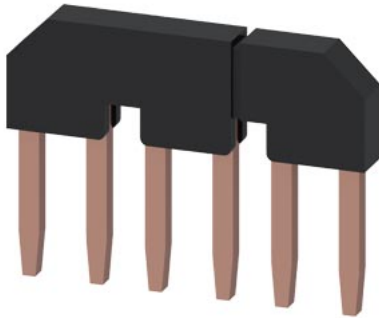


Link for paralleling without connection terminal, 3-pole for 3RT2.1 with screw terminal



General technical data		
product brand name		SIRIUS
product designation		Connection jumper
design of the product		Parallel switching connection for contactors S00
size of contactor		S00
Installation/ mounting/ dimensions		
fastening method		screw fixing
Certificates/ approvals		
General Product Approval	EMC	Declaration of Conformity



[Confirmation](#)



Declaration of Conformity	Test Certificates	Marine / Shipping
---------------------------	-------------------	-------------------



[Special Test Certificate](#)

[Type Test Certificates/Test Report](#)



Marine / Shipping	other	Railway
-------------------	-------	---------



[Confirmation](#)

[Miscellaneous](#)

[Special Test Certificate](#)

Further information

Information- and Downloadcenter (Catalogs, Brochures,...)

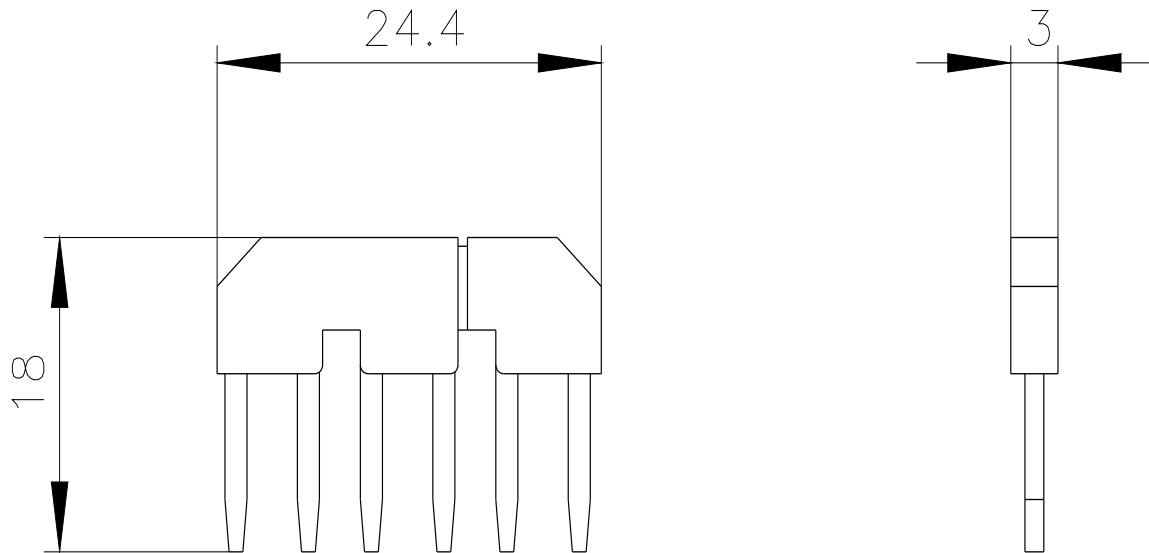
<https://www.siemens.com/ic10>

Industry Mall (Online ordering system)

<https://mall.industry.siemens.com/mall/en/en/Catalog/product?mfb=3RT1916-4BA31>

Cax online generator

<http://support.automation.siemens.com/WW/CAXorder/default.aspx?lang=en&mfb=3RT1916-4BA31>



last modified:

12/23/2020 