

KombiSIGN 70 / Accessories

Base w. integrated tube BK



Part No.: 975.840.10

MECHANICAL DATA	
Height	110 mm
Diameter	70 mm
Materials	PA-GF
Housing colour	Black
Weight with packaging	49 g
Product weight	43 g

APPROVAL DATA	
Conforms with CE	No
WEEE	No
Conforms with ATEX-directive	No
Conforms with CCC	No
Conforms with UL	No
Conforms with FCC	No
Conforms with IC	No
EAC certificate available	No
Conforms with UKCA (Importer)	No
Conforms with AS-I	No
ICAO Certification	No
Conforms with DNV	No
Conforms with RoHS CN	No

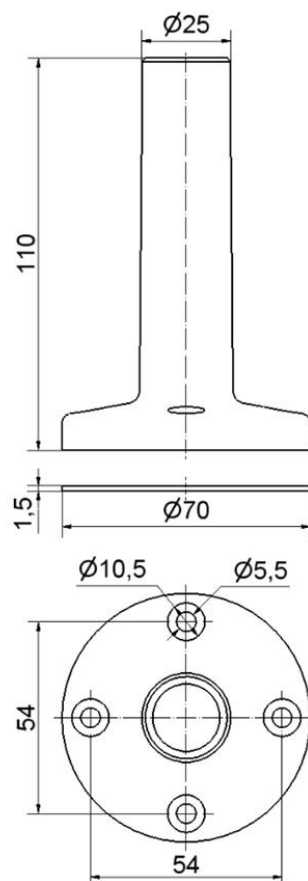


For additional installation and mounting information, refer to the appropriate user guide at www.werma.com. This printed copy is for information only and is subject to alteration.

KombiSIGN 70 / Accessories

Base w. integrated tube BK

DRAWING



For additional installation and mounting information, refer to the appropriate user guide at www.werma.com. This printed copy is for information only and is subject to alteration.