



# Installation Guide

## — Philips TrueForce LED lamp

Please take the time to read this installation guide. The guide contains important information and notes regarding the installation and operation.

### IMPORTANT!

- Always switch off the power supply before commencing work!
- Please read the installation instructions carefully and follow the wiring instructions to ensure safety.
- The product is NOT dimmable.
- The product can be operated on Direct Mains or ElectroMagnetic (EM) gear without ignitor.  
Ignitor ALWAYS needs to be disconnected from the system.
- Recommended to remove capacitor to improve system power factor.
- The product is not compatible with electronic gear.
- Suitable for use in operating temperature range between  $-40^{\circ}\text{C}$  to  $+55^{\circ}\text{C}$ .
- Do not change the structure or any components of the product to ensure safety.
- The product is designed to fit in standard IEC compliant E27/E40 lamp holders.
- The product should be installed by qualified professional.
- Perform inspection before installation to ensure the luminaire and lamp holder are in good condition to carry the weight and performance of the product.
- Do not use in open luminaire.
- \*LED and driver compartments fulfill IP65 requirements, outdoor applications require the lamp to be used in luminaires with suitable IP rating.
- Please do not apply the product in applications which contains emergency or/and explosive proof luminaires.
- The total system performance may vary depending on the lighting/luminaire system.
- For latest information, please refer to [www.philips.com/lighting](http://www.philips.com/lighting).
- In case of doubt, please consult Philips representative.

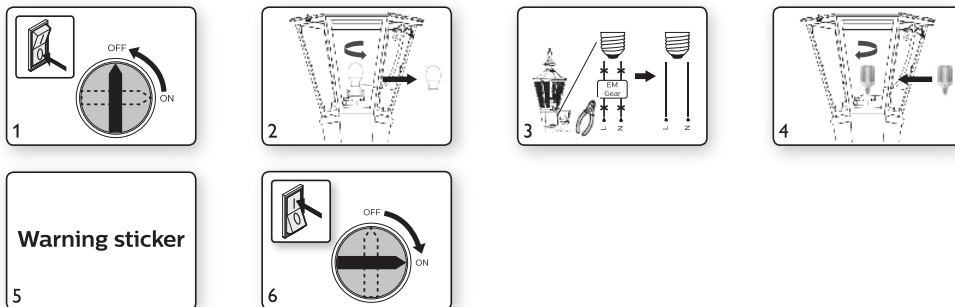
#### DISCLAIMER:

Signify disclaims liability for any direct, indirect or incidental damages in case of installation performed either not according to this guide or not performed by a professional electrician.

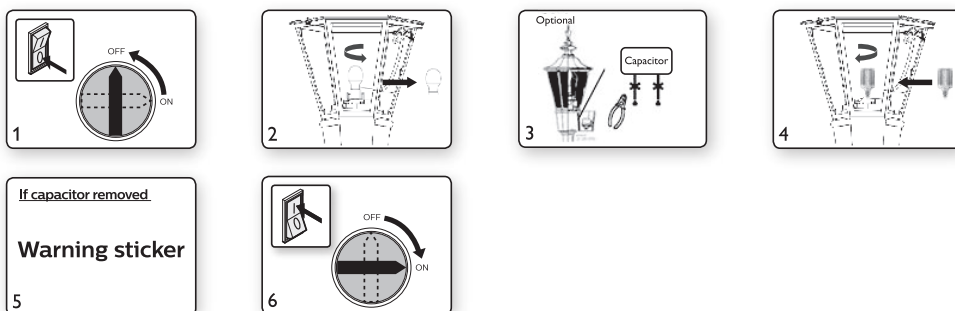
CE **RoHS**  
COMPLIANT **IP65**\*

# PHILIPS

## For replacing HPL/SON/Other Lamps, Convert to Direct Mains (Recommended)

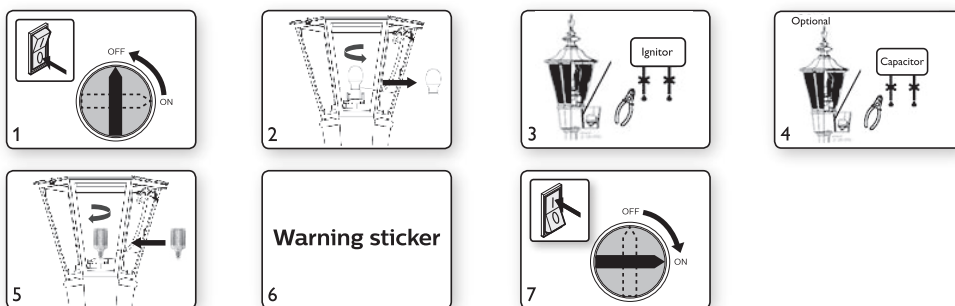


## For replacing HPL Lamps and keeping the EM ballast



- After capacitor is removed, open wires should be terminated properly.
- If capacitor remains the power factor might be lower.

## For replacing SON Lamps and keeping the EM ballast



- After capacitor/ignitor is removed, open wires should be terminated properly.
- If capacitor remains the power factor might be lower.



© 2018 Signify Holding

Signify

All rights reserved. Reproduction in whole or in part is prohibited without the prior written consent of the copyright owner. The information presented in this document does not form part of any quotation or contract, is believed to be accurate and reliable and may be changed without notice. No liability will be accepted by the publisher for any consequence of its use. Publication thereof does not convey nor imply any license under patent or other industrial or intellectual property rights.

12/2018  
www.philips.com/lighting

3241 651 29866