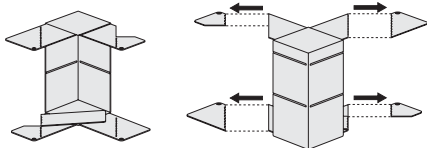


## Universal corners



INS5550101  
INS5550102  
INS5550103  
INS5550121  
INS5550122  
INS5550123  
INS5551103  
INS5551104

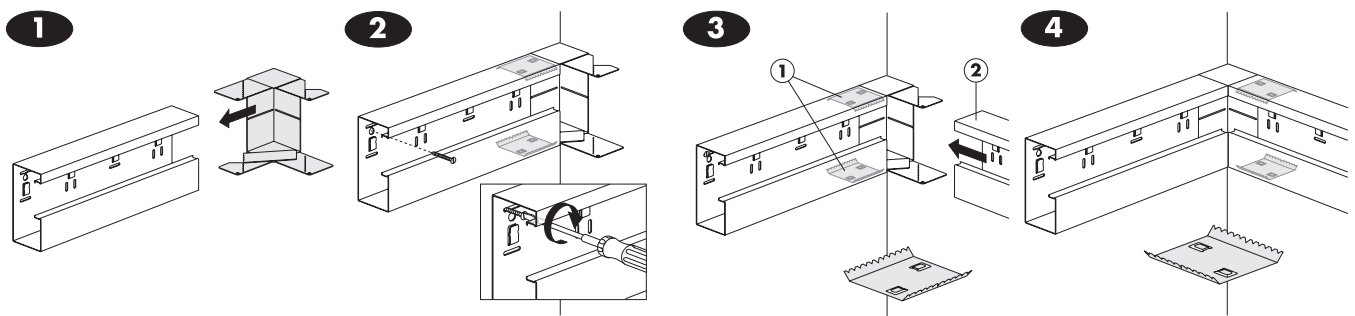
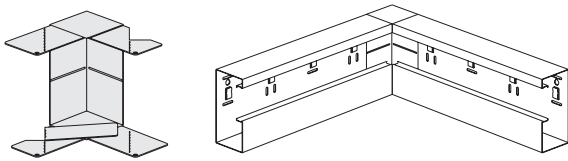
INS5551105  
INS5552121  
INS5552122  
INS5552123  
INS5553102  
INS5553103  
INS5553104  
INS5553106

INS5553107  
INS5553109  
INS5553121  
INS5553122  
INS5553123

INS14310



### Installation of internal corner



### Installation of external corner

