

Midi Horns and Sirens / Signal Horn 573

**Signal horn WM Contin. tone 24VAC BK/GY**

Part No.: 573.000.65

**MECHANICAL DATA**

Length	232 mm
Width	104 mm
Height	232 mm
Materials	PC/ABS
Housing colour	Black
Protection category	IP65
Connection	Screw terminals
cross-sectional area maximum	2,50mm <sup>2</sup> / 14AWG
Cable entry	Screwed cable gland
Cable entry minimum	d = 5 mm
Cable entry maximum	d = 10 mm
Tension relief	Present (conforms to VDI)
Type of fixing	Wall mounting
Acoustic service life	250 h minimum
Working temperature minimum	-30°C
Working temperature maximum	+50°C
Weight with packaging	1277 g
Product weight	1200 g

**ELECTRICAL DATA**

Operating voltage	24V
Operating voltage type	AC
Operating voltage frequency	50Hz
Operating voltage tolerance	+/- 10%
Rated operational voltage	24 VDC
Rated operational current	500 mA
Rated inrush current	<10A
Protection class	Protection class 2
Pollution degree	3

**ACUSTICAL DATA**

Volume/dB(max) at 1m distance	105,0 dB (A)
Acoustic signal image	Continuous tone

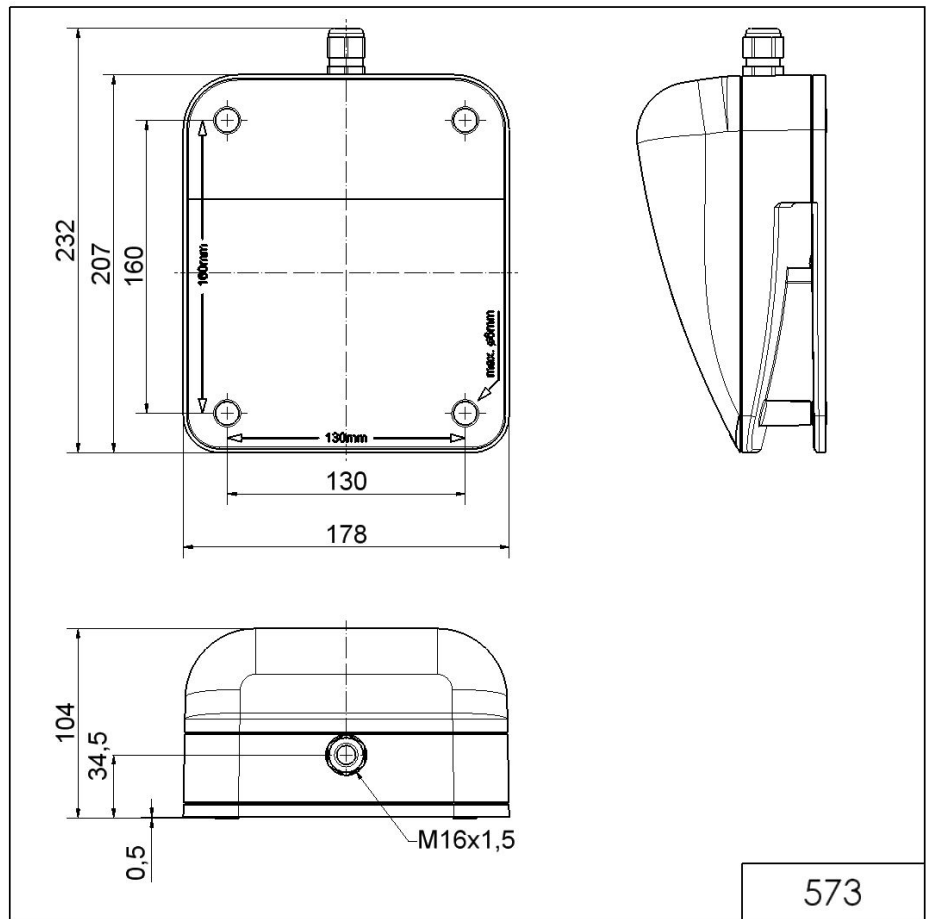


For additional installation and mounting information, refer to the appropriate user guide at [www.werma.com](http://www.werma.com). This printed copy is for information only and is subject to alteration.

Midi Horns and Sirens / Signal Horn 573

**Signal horn WM Contin. tone 24VAC BK/GY**

**DRAWING**



! For additional installation and mounting information, refer to the appropriate user guide at [www.werma.com](http://www.werma.com). This printed copy is for information only and is subject to alteration.