

KombiSIGN 71 / Terminal Element

Terminal element BWM 12-230VAC/DC BK



| | |
|-----------|--------------|
| Part No.: | 640.800.00 |
| Series: | KombiSIGN 71 |



| MECHANICAL DATA | |
|------------------------------|--------------------------------|
| Height | 36 mm |
| Diameter | 70 mm |
| Materials | PA-GF PC |
| Housing colour | Black |
| Protection category | IP65 |
| Connection | Spring-type terminal |
| cross-sectional area maximum | 1,50mm ² / 16AWG |
| Cable entry | Through hole |
| Cable entry maximum | d = 11 mm |
| Type of fixing | Base mounting Wall mounting |
| Working temperature minimum | -20°C |
| Working temperature maximum | +50°C |
| UL Type Rating | Type 12 |
| Weight with packaging | 94 g |
| Product weight | 82 g |

| ELECTRICAL DATA | |
|------------------------|--------------------------------------------------|
| Operating voltage | 12-230V |
| Operating voltage type | AC/DC |
| Protection class | Protection class 3 |
| Pollution degree | 3 |
| Overtoltage category | II |
| Isolation voltage | U _i = 250V; U _{imp} = 2.500V |

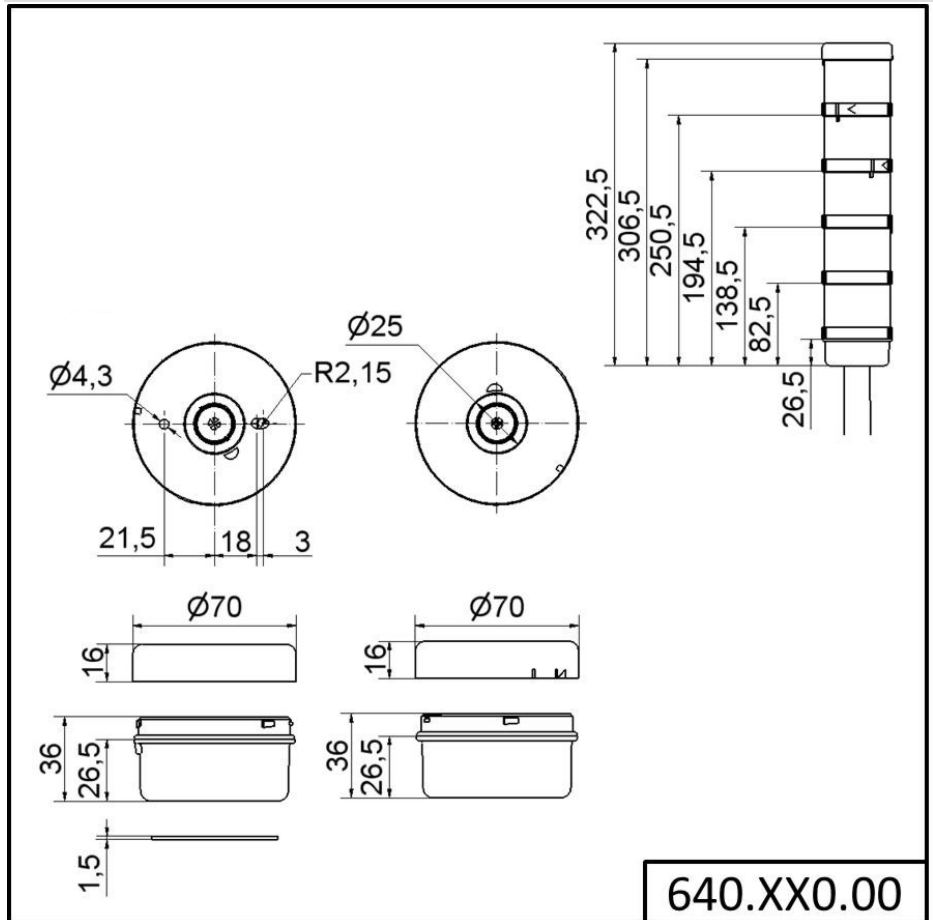


For additional installation and mounting information, refer to the appropriate user guide at www.werma.com. This printed copy is for information only and is subject to alteration.

KombiSIGN 71 / Terminal Element

Terminal element BWM 12-230VAC/DC BK

DRAWING



! For additional installation and mounting information, refer to the appropriate user guide at www.werma.com. This printed copy is for information only and is subject to alteration.