

KombiSIGN 50 / LED Bulb  
**LED Bulb 24VAC/DC YE**



**Part No.:** 956.300.75

#### MECHANICAL DATA

Height	41 mm
Diameter	29 mm
Materials	PA-GF PC
Housing colour	Black
Service life optical	50,000 h maximum
Weight with packaging	13 g
Product weight	9 g

#### ELECTRICAL DATA

Operating voltage	24V
Operating voltage type	AC/DC
Operating voltage type	50Hz
Operating voltage tolerance	+/- 10%
Rated operational voltage	24 VDC
Rated operational current	45 mA
Rated inrush current	500 mA

#### OPTICAL DATA

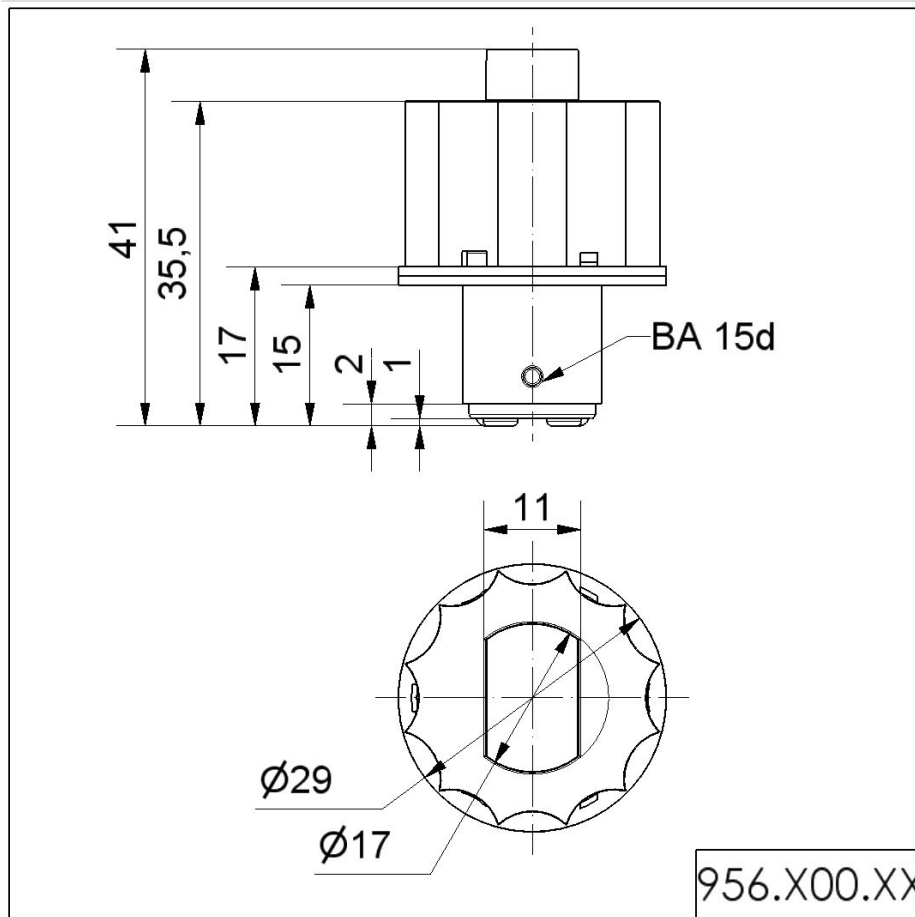
Light source	LED
Light colour	Yellow
Optical signal image	Permanent
Lamp fitting/socket	BA15d



For additional installation and mounting information, refer to the appropriate user guide at [www.werma.com](http://www.werma.com). This printed copy is for information only and is subject to alteration.

KombiSIGN 50 / LED Bulb  
**LED Bulb 24VAC/DC YE**

DRAWING



! For additional installation and mounting information, refer to the appropriate user guide at [www.werma.com](http://www.werma.com). This printed copy is for information only and is subject to alteration.