

Product End of Life Instructions

ATV320 0,75kW 200V 1ph with vario IP65

Altivar Machine ATV320

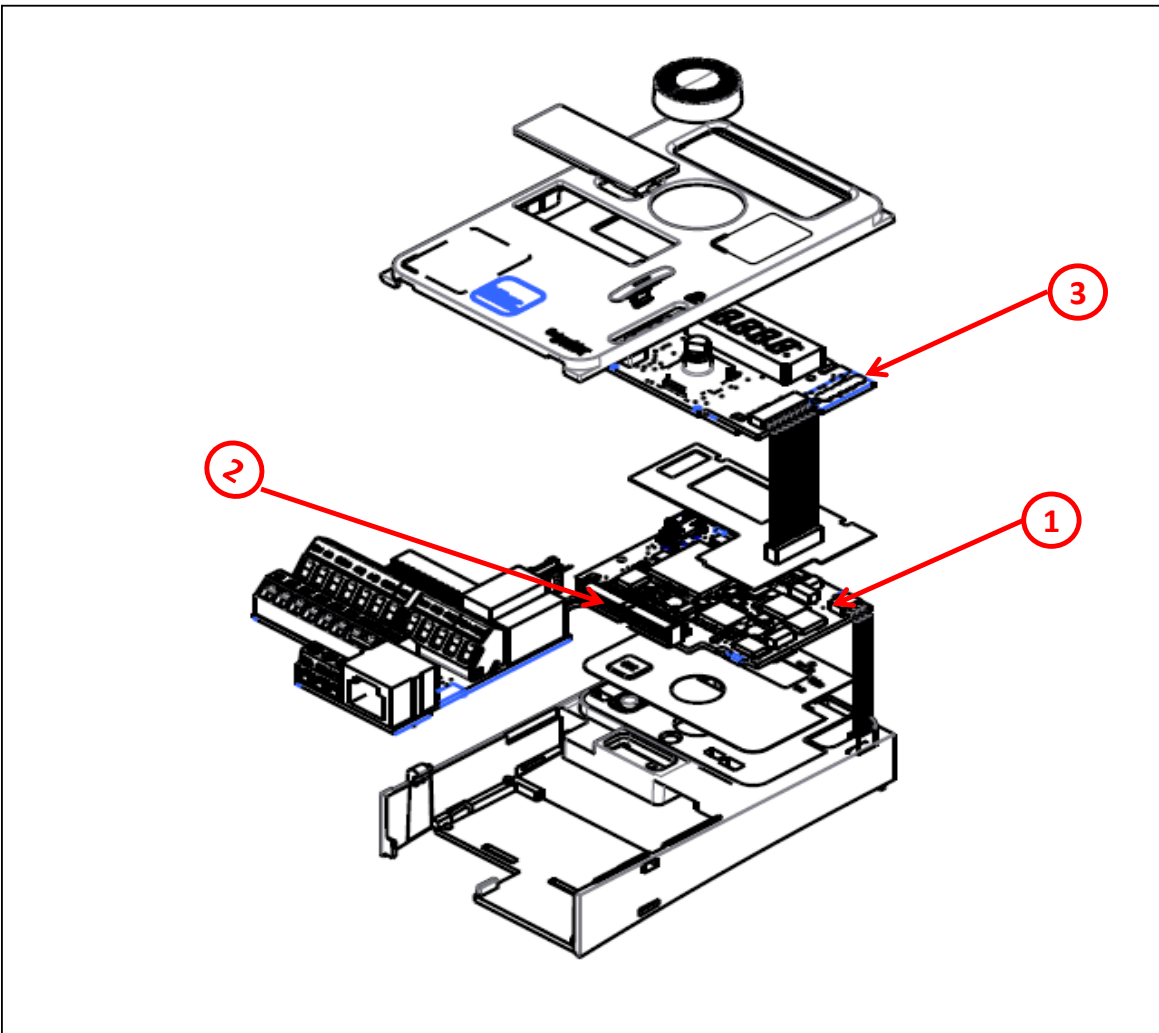


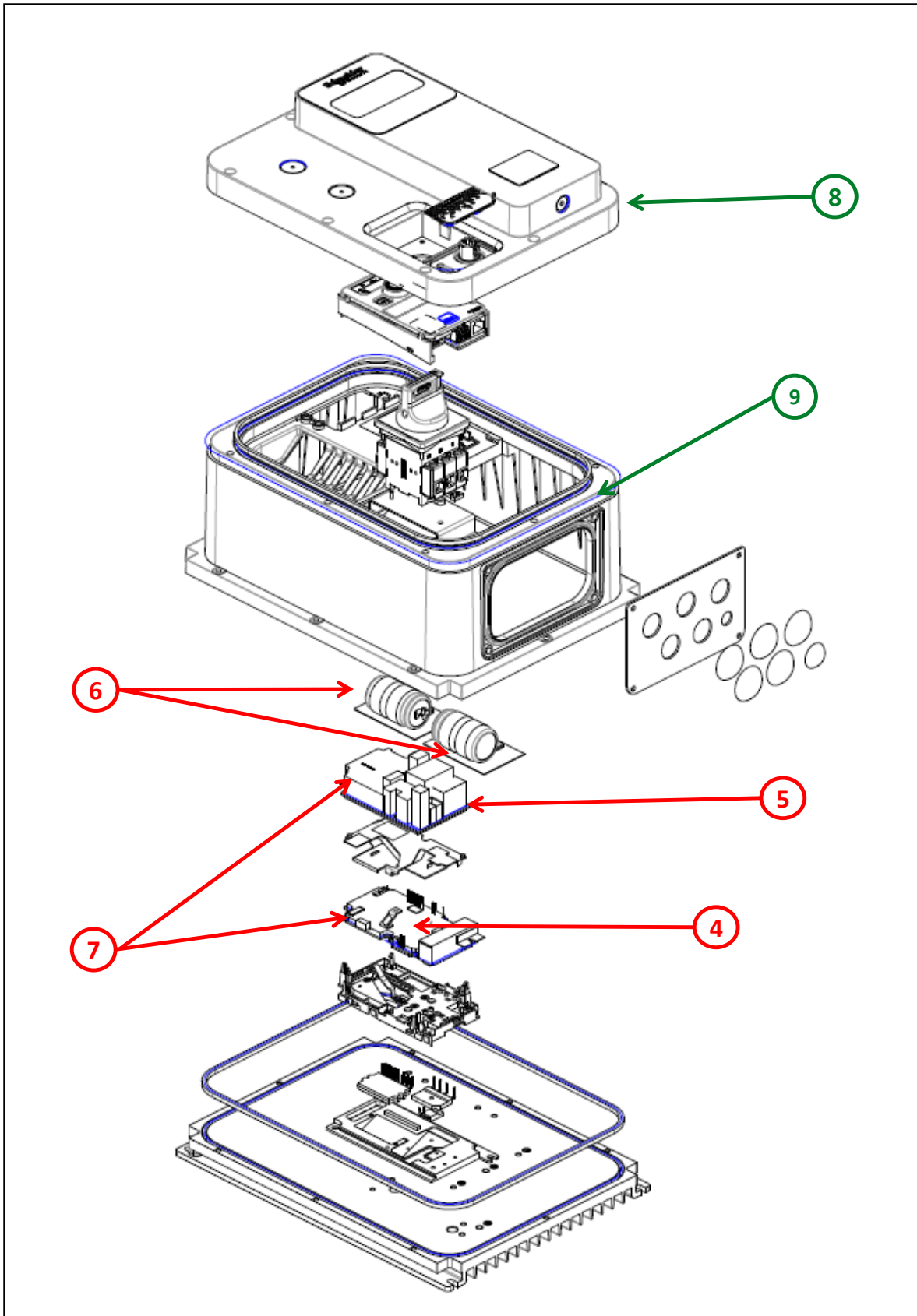
 Potential disassembly risks

 **DANGER** 

 **ELECTRIC SHOCK, EXPLOSION, OR ARC FLASH.**
To service, remove all power.
• Wait 15 minutes
• Verify no voltage is present.
Failure to follow these instructions will result in death or serious injury.

 End of Life Instructions





Recommendation	Number on drawing	Component / Material	Weight (in g)	Comment
To be depolluted	①	Electronic Board (Communication) > 10cm ²	22.04	PCBA area is 31.71 cm ²
To be depolluted	②	Electronic Board (Communication) > 10cm ²	60.17	PCBA area is 34.58 cm ²
To be depolluted	③	Electronic Board (Communication) > 10cm ²	13.35	PCBA area is 28.77 cm ²
To be depolluted	④	Electronic Board (Power) > 10cm ²	17.93	PCBA area is 3.45 cm ²
To be depolluted	⑤	Electronic Board (Power) > 10cm ²	94.15	PCBA area is 69.01 cm ²
To be depolluted	⑥	Electrolyte capacitors which size: height > 25 mm, diameter > 25 mm or proportionately similar volume	124.4	Cap AL SNAP 10 560uF 400V
To be depolluted	⑦	Cable (high current)	374.16	External electric cables (connect PCBA)
To be dismantled	⑧	PC	496.94	ATV320_IPXX_COVER
To be dismantled	⑨	PC	802.68	ATV320_IPXX_HOUSING
Other	except for ①-⑨	Shredding parts	3240.07	Shredding parts(3240.07g)



Product description

Manufacturer identification	Schneider Electric Industries SAS
Brand name	Schneider Electric
Product function	The Altivar Machine ATV320 IP65 drive is a variable speed for One-phase asynchronous and synchronous motors. It can control the speed and torque of an electric motor for general application
Product reference	ATV320U07M2WS
Additional similar product references	ATV320U07M2WS ATV320U02M2W ATV320U02M2WS ATV320U04M2W ATV320U04M2WS ATV320U06M2W ATV320U06M2WS ATV320U07M2W
Total representative product mass	5000 g
Representative product dimensions	340mm x 250mm x 235mm
Accessories	No
Date of information release	4/2020



Additional information

Legal information	This product family is in the scope of European Union directive 2012/19/EU on Waste Electrical and Electronic Equipment (WEEE). The product family must be disposed according to the legislation of the country. This document is intended for use by end of life recyclers or treatment facilities. It provides the basic information to assure an appropriate end of life treatment for the components and materials of the product.	
In case of special transportation: transportation method	No special mean of transport	
Recyclability potential	81%	Based on "ECO'DEEE recyclability and recoverability calculation method" (version V1, 20 Sep. 2008 presented to the French Agency for Environment and Energy Management: ADEME).

Schneider Electric Industries SAS

Country Customer Care Center
<http://www.schneider-electric.com/contact>

35, rue Joseph Monier

CS 30323

F- 92506 Rueil Malmaison Cedex

RCS Nanterre 954 503 439

Capital social 896 313 776 €

www.schneider-electric.com

ENVEOLI1908002_V1

Published by Schneider Electric

© 2020 - Schneider Electric – All rights reserved

4/2020