

# Product End-of-Life Instructions

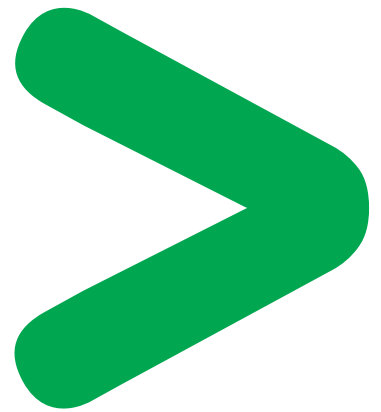
## ALTIVAR PROCESS

### Product Range

Altivar Process – Ranges: 55 to 90 kW – 3 PH –400/480V – IP55

### Marketing Model

Altivar 650 - 90 kW / 400-480V / 3-ph rating / IP55 (ref. ATV650D90N4E)



### Size in mm:

H x L x D : 1262 x 345 x 431

### Weight in g:

86650 and 106550 for the product range.

106550 for ATV650D90N4E including packaging and batteries (weight of the battery is 3)



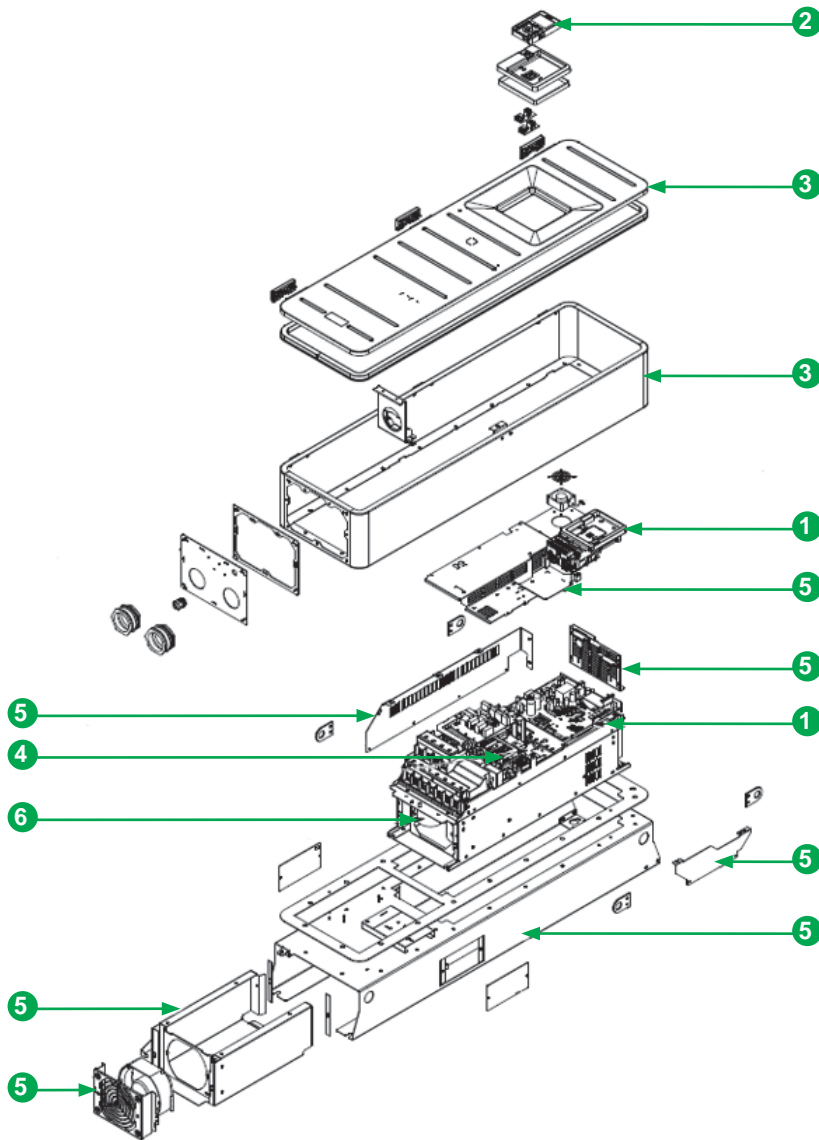
## Operations recommended for the end of life treatment

There are several steps to process the products at the end of life so as to recover components, materials or energy :

Reuse ⇒ Separation for special treatment ⇒ Other Dismantling ⇒ Shredding

**CAUTION:** This product contains electrolytic capacitors which may cause electrical shock during the end of life treatment process. **BEFORE SERVICING, REMOVE ALL POWER, WAIT 15 MINUTES.**

The components of the products that optimize the recycling performances are listed, identified and located hereunder.



Note:



Recommendation	Number on drawing	Components	Weight (g)	Comment
Operating hazards	6	Electrolytic capacitors	3452	–
Special treatment	1	Printed Circuit Board Assembly (PCBA) or power components	2464	PCBAs are included
	2	Manganese Dioxide Lithium Coin Battery	3	The battery is located inside the Keypad
Other dismantling	3	Plastic part	462	PC FR, Housing, Chassis
	4	Aluminium	11070	Heatsink
	5	Steel	53838	–

**Schneider Electric Industries SAS**

35, rue Joseph Monier  
CS30323  
F - 92506 Rueil Malmaison Cedex

RCS Nanterre 954 503 439  
Capital social 896 313 776 €  
www.schneider-electric.com

The version of the Guide used to create the document: End of Life Instruction Drafting Guide of Schneider Electric version V1.

Publication : Schneider Electric