

Product End-of-Life Instructions

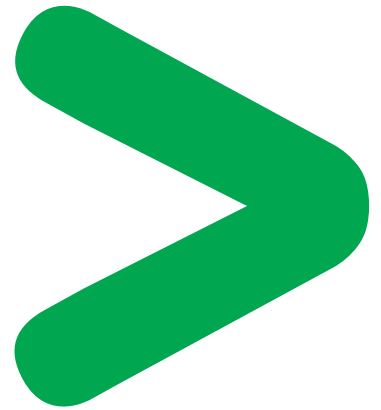
ALTIVAR PROCESS

Product Range

Altivar Process – Ranges: 0.75 to 5.5 kW – 3 PH – 400/480 V – IP55

Marketing Model

Altivar 650 – 5.5 kW / 400-480 V / 3-ph rating / IP55 (ref. ATV650U55N4E)



Size in mm:

H x L x D : 678 x 250 x 225

Weight in g:

20.43 to 24190 for the product range.

24190 for ATV650U55N4E including packaging and batteries (weight of the battery is 3)



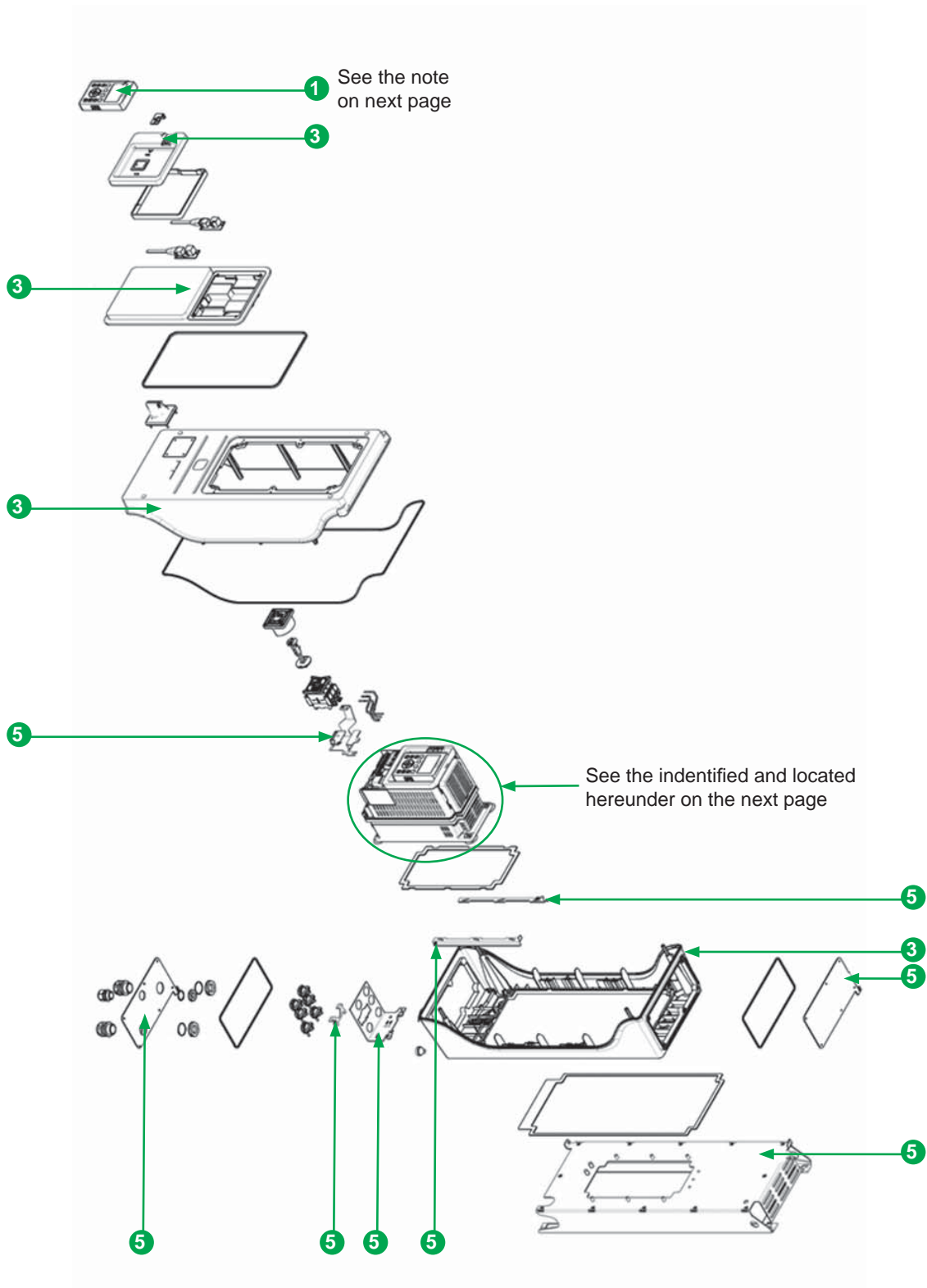
Operations recommended for the end of life treatment

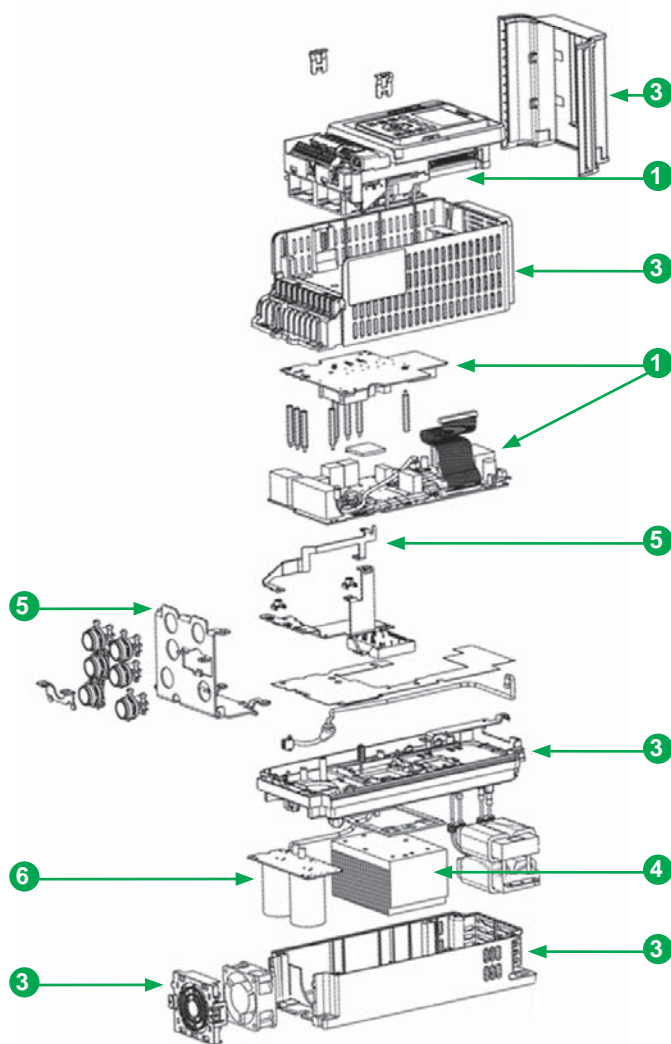
There are several steps to process the products at the end of life so as to recover components, materials or energy :

Reuse ⇒ Separation for special treatment ⇒ Other Dismantling ⇒ Shredding

CAUTION: This product contains electrolytic capacitors which may cause electrical shock during the end of life treatment process. **BEFORE SERVICING, REMOVE ALL POWER, WAIT 15 MINUTES.**

The components of the products that optimize the recycling performances are listed, identified and located hereunder.





Note:



Recommendation	Number on drawing	Components	Weight (g)	Comment
Operating hazards	6	Electrolytic capacitors	185	-
Special treatment	1	Printed Circuit Board Assembly (PCBA) or power components	916	PCBAs are included
	2	Manganese Dioxide Lithium Coin Battery	3	The battery is located inside the Keypad
Other dismantling	3	Plastic part	4838	PC FR, Housing
	4	Aluminium	498	Heatsink
	5	Steel	5345	Bars, Chassis

Schneider Electric Industries SAS

35, rue Joseph Monier
CS30323
F - 92506 Rueil Malmaison Cedex

RCS Nanterre 954 503 439
Capital social 896 313 776 €
www.schneider-electric.com

The version of the Guide used to create the document: End of Life Instruction Drafting Guide of Schneider Electric version V1.

Publication : Schneider Electric