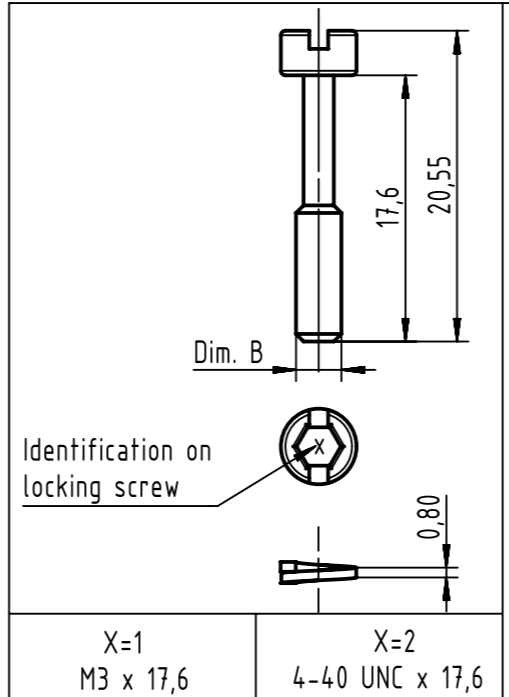
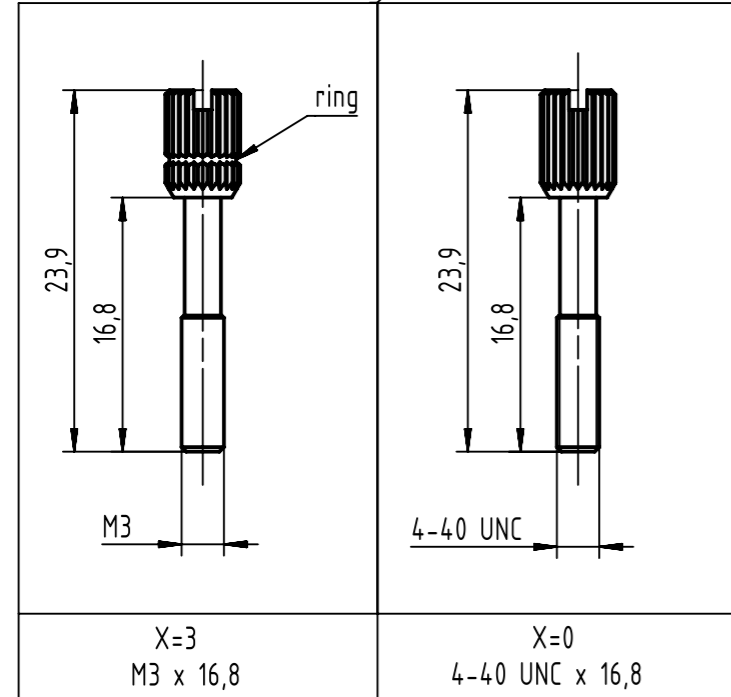


Hexagonal head screw driver
P/N: 6103 600 0021
for hexagonal head screw
max. torque=0,5Nm

Internal grounding block (optional)

1 For strain relief an additional InduCom cable or a crimp flange and ferrule combination depending on the cable is necessary



Content InduCom hood			Spare parts (MOQ100)	
Pos.	Quantity	Description	Part Number	Quantity
01	1	metal hood		
02	1	metal cover		
03	2	locking screw (assembled):		
		either knurled thumb screws 4-40 UNC (for 0014)	0967 002 9018	1
		or hexagonal M3 with captive washer (for 1014)	0967 002 9019	1
		or hexagonal 4-40 UNC with captive washer (for 2014)	0967 002 9020	1
		or knurled thumb screws M3 (for 3014)	0967 002 9017	1
04	1	grounding screw (assembled) for version with internal grounding block	0963 002 0007	1
05	3	cover screw M2,5 with philips head (not losable in cover)	0963 002 0006	1

Part Number	Dim. B Screw size	Locking screw type	Identification for locking screw	Internal grounding block
6103 001 0014	4-40 UNC	Knurled thumb screw	Without ring	With internal grounding block
6103 001 1014	M3	Hexagonal screw with captive washer	1	
6103 001 2014	4-40 UNC	Hexagonal screw with captive washer	3	
6103 001 3014	M3	Knurled thumb screw	With ring	Without internal grounding block
6103 001 0014 010	4-40 UNC	Knurled thumb screw	Without ring	
6103 001 1014 010	M3	Hexagonal screw with captive washer	1	
6103 001 2014 010	4-40 UNC	Hexagonal screw with captive washer	3	Without internal grounding block
6103 001 3014 010	M3	Knurled thumb screw	With ring	

All Dimensions in mm
Original Size DIN A3

Scale 2:1

Free size tol.

Ref. Sub.

All rights reserved
Department EL PD

Created by HUK

Inspected by WANGSTE

Standardisation HOFFMANN

Date 2019-08-26

State Final Release

HARTING Electronics GmbH
D-32339 Espelkamp

Title InduCom 15P 40° entry hood assembly

Type TB

Number 6103001X014

Doc-Key / ECM-Nr. 100662222/UGD/002/B 500000157192

Rev. B

Page 1/1