

### Features

- LED Panel with backlit technology, ideal for general indoor lighting applications such as breakout areas, offices and meeting rooms. Extruded aluminium frame, passive cooling. Low glaring UGR<19. RG0, 90 degree beam angle , optical system: PS diffuser with Prismatic finish. Light color temperature: 6500K Cool White, total system power: 36W , total fixture output: 4000lm, efficacy: 111 lm/W, Ra80 typical, LED chromacity: 6 step MacAdam ellipse (SDCM6), lifespan: 100,000 hours at 70% of the original output (L70B50), IR/UV free light source without heat radiation, operating voltage: 220-240V / 50-60Hz, low flicker, non dimmable driver, electrical protection: Class II. Degree of Protection: IP40/IP20, suitable for indoor environment only. Nominal size: 595x595mm, Loop in / loop out wiring, safety cables included, 25mm nominal height, White color frame, weight: 1,6Kg.

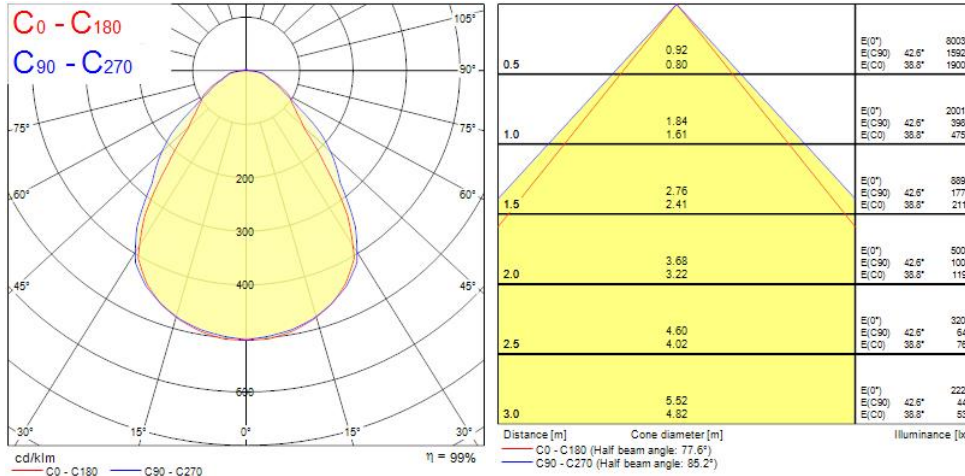
### Product Overview

<b>Product name</b>	START Panel UGR19 600x600 4000Lm 865 LILO
<b>Technology</b>	LED (3 SDCM)
<b>Cap/Base</b>	N/A
<b>Housing</b>	Aluminium, Steel
<b>Mount</b>	Ceiling recessed mounting
<b>General application</b>	Education, Office
<b>ETIM Class</b>	EC002892
<b>E-number FI</b>	4278459
<b>Fixture luminous flux (lm)</b>	4000
<b>Luminaire efficacy (lm/W)</b>	111
<b>Colour temperature (K)</b>	6500
<b>Light colour</b>	Daylight
<b>CRI (Ra)</b>	80

## START Panel UGR19 600x600 4000Lm 865 LILO 0042829

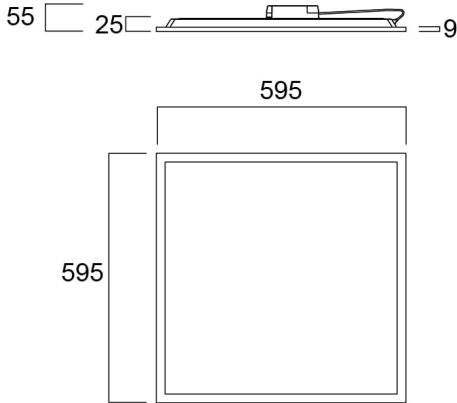
Colour Variation Initial (SDCM)	6
Beam Angle (°)	90
Glare control	< 19
Photobiological Risk Group	RG0
Total power consumption (W)	36
Electrical protection	Class II
Control gear type	LED driver constant current
Dimmable	No
LED Flickering Rate	Ultra low (5% or less)
Housing colour	RAL 9003 - Signal white
IP rating	IP40/20
IK rating	IK03
Product EAN number	5410288428291
Warranty	5 years
Dimming method	N/A

### Photometry



## START Panel UGR19 600x600 4000Lm 865 LILO 0042829

### Technical drawings



### Data table

#### GENERAL DATA

Product name	START Panel UGR19 600x600 4000Lm 865 LILO
Technology	LED (3 SDCM)
Cap/Base	N/A
Housing	Aluminium, Steel
Mount	Ceiling recessed mounting
General application	Education, Office
Operating temperature range (°C)	-10°C...+45°C
Performance ambient temperature Tq (°C)	25
ETIM Class	EC002892
E-number FI	4278459
Warranty	5 years

#### OPTICAL DATA

Fixture luminous flux (lm)	4000
Luminaire efficacy (lm/W)	111

## START Panel UGR19 600x600 4000Lm 865 LILO 0042829

Colour temperature (K)	6500
Light colour	Daylight
CRI (Ra)	80
Colour Variation Initial (SDCM)	6
Beam Angle (°)	90
Distribution type	Symmetric
Glare control	< 19
Photobiological Risk Group	RG0

### ELECTRICAL DATA

Total power consumption (W)	36
Mains voltage (V)	220-240V
Lamp power factor	0.9
THD (at 230 V, 50 Hz, full load, at 100% dimming level) ≤ xx.x %	20.0
Electrical protection	Class II
Control gear required	Yes
Control gear type	LED driver constant current
No. Of switching cycles before premature failures	>25000
Transformer required	No
Dimmable	No
Dimming method	N/A
Drive current (mA)	680
Inrush Current (A)	17
Inrush Duration (µs)	150
Glow Wire Test (°C)	650
Energy Efficiency Class (A->G) of contained light source	D
Nominal Frequency (Hz)	50/60Hz
LED Flickering Rate	Ultra low (5% or less)
Max. Luminaires per 10A C Breaker	51
Max. Luminaires per 13A C Breaker	66
Max. Luminaires per 16A C Breaker	81
Max. Luminaires per 20A C Breaker	102

## START Panel UGR19 600x600 4000Lm 865 LILO 0042829

Max. Luminaires per 10A B Breaker	33
Max. Luminaires per 13A B Breaker	43
Max. Luminaires per 16A B Breaker	54
Max. Luminaires per 20A B Breaker	68

### LIFETIME DATA

Lifespan L70 B50	100000
Lifespan L80 B20	71000

### PHYSICAL DATA

Housing colour	RAL 9003 - Signal white
IP rating	IP40/20
IK rating	IK03
Diffuser finish	Prismatic
Diffuser material	Other
Nominal Product Length (mm)	595
Nominal Product Width (mm)	595
Nominal Product Height (mm)	26
Weight (kg)	1.6

### PACKAGING

Single packaging type	Carton
Product EAN number	5410288428291
Packaging single length / height (cm)	60.0
Packaging single width (cm)	65.0
Packaging single depth (cm)	3.8
DUN14 (outer)	15410288428298
Units per outer package	4
Packaging outer length / height (cm)	69.0
Packaging outer width (cm)	65.0
Packaging outer depth (cm)	17.0

### SAFETY DATA

START Panel UGR19 600x600 4000Lm 865 LILO

**0042829**

---

Optimal operating condition (°C)	-10-45
Special purpose lamp	No
Dry applications use only	No
Suitable for household illumination	No