

Concord

EQUINOX 165 2100 930 SSC BLACK
2060590



Features

- Equinox is an elegant and innovative luminaire designed using the latest optical technology. It is a high quality and efficient lighting solution for office, hospitality, and retail environments. It creates inspirational halo effects regulated by a unique adjustable optic system. It is Sylsmart dimmable downlight luminaire, Colour rendering index Ra >90, Colour temperature: 3000K Warm White, Class II, Cut out dimensions: 165mm. Low Glare UGR<19. Finish Jet Black RAL 9005.

Product Overview

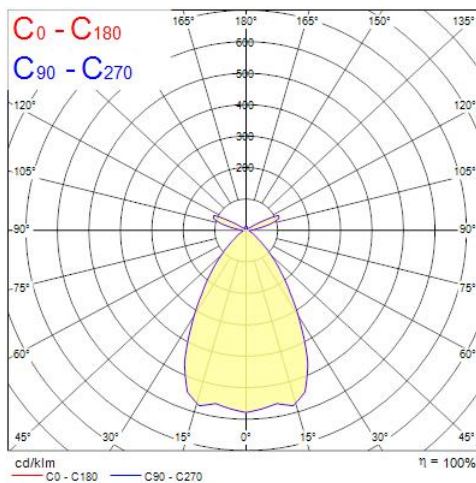
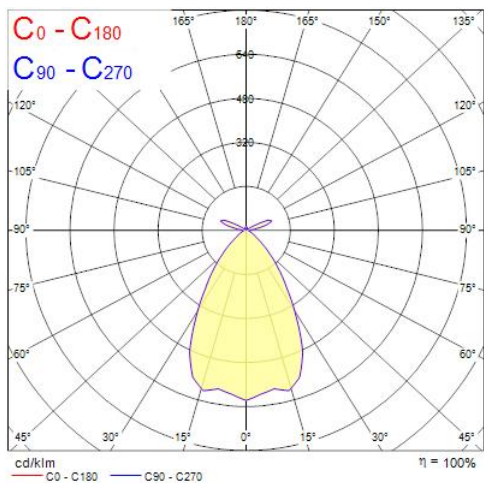
Product name	EQUINOX 165 2100 930 SSC BLACK
Technology	LED
Cap/Base	N/A
Housing	Aluminium
Mount	Ceiling recessed mounting
General application	Office
ETIM Class	EC001744
Fixture luminous flux (lm)	2100
Luminaire efficacy (lm/W)	105
Colour temperature (K)	3000
Light colour	Warm White
CRI (Ra)	90
Colour Consistency (SDCM)	3
Colour Variation Initial (SDCM)	3
Beam Angle (°)	64
Glare control	< 19
Photobiological Risk Group	RG1
Total power consumption (W)	20

Concord

EQUINOX 165 2100 930 SSC BLACK 2060590

Electrical protection	Class II
Control gear type	LED driver constant current
Control gear mounting	Remote
Dimmable	Yes
Minimum dimming level (%)	1
Housing colour	RAL 9005 - Jet black
IP rating	IP20
IK rating	IK02
Product EAN number	5025768605903
Warranty	5 years
Dimming method	SylSmart SSC

Photometry



Distance [m]	Cone diameter [m]	E(0°) E(C0)	E(0°) E(C270)	Illuminance [lx]
0.5	0.64	E(0°) E(C0)	32.8°	4880 1444
1.0	1.29	E(0°) E(C0)	32.8°	1215 381
1.5	1.93	E(0°) E(C0)	32.8°	540 160
2.0	2.58	E(0°) E(C0)	32.8°	304 90
2.5	3.22	E(0°) E(C0)	32.8°	194 58
3.0	3.87	E(0°) E(C0)	32.8°	135 40

Distance [m] Cone diameter [m] Illuminance [lx]
C0 - C180 (Half beam angle: 66.6°)

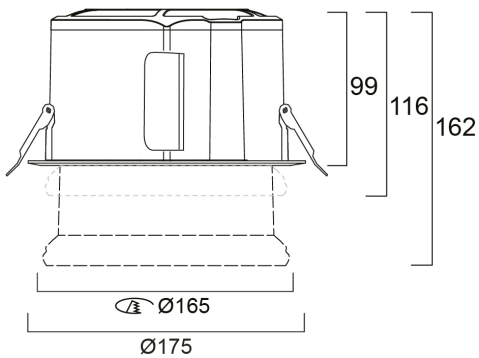
Concord

EQUINOX 165 2100 930 SSC BLACK 2060590

0.5	0.64	E(0°) E(C0)	32.6°	4694 1405
1.0	1.28	E(0°) E(C0)	32.6°	1174 351
1.5	1.92	E(0°) E(C0)	32.6°	522 156
2.0	2.56	E(0°) E(C0)	32.6°	293 88
2.5	3.20	E(0°) E(C0)	32.6°	188 56
3.0	3.84	E(0°) E(C0)	32.6°	130 39

Distance [m] Cone diameter [m] Illuminance [lx]
 — C0 - C180 (Half beam angle: 65.2°)

Technical drawings



Data table

GENERAL DATA

Product name	EQUINOX 165 2100 930 SSC BLACK
Technology	LED
Cap/Base	N/A
Housing	Aluminium

Concord

EQUINOX 165 2100 930 SSC BLACK 2060590

Mount	Ceiling recessed mounting
General application	Office
Operating temperature range (°C)	1°C...+25°C
Performance ambient temperature Tq (°C)	25
ETIM Class	EC001744
Warranty	5 years

OPTICAL DATA

Fixture luminous flux (lm)	2100
Luminaire efficacy (lm/W)	105
Colour temperature (K)	3000
Correlated colour temperature range (K)	3000 - 3000
Light colour	Warm White
CRI (Ra)	90
Colour Consistency (SDCM)	3
Colour Variation Initial (SDCM)	3
Beam Angle (°)	64
Distribution type	Diffuse
Glare control	< 19
Photobiological Risk Group	RG1

ELECTRICAL DATA

Total power consumption (W)	20
Mains voltage (V)	220-240V
Lamp power factor	0.96
THD (at 230 V, 50 Hz, full load, at 100% dimming level) ≤ xx.x %	10
Electrical protection	Class II
Control gear required	No
Control gear type	LED driver constant current
Control gear mounting	Remote
Transformer required	No
Dimmable	Yes

Concord

EQUINOX 165 2100 930 SSC BLACK 2060590

Dimming method	SylSmart SSC
Minimum dimming level (%)	1
Drive current (mA)	650
Drive current - Range (mA)	650mA / 650mA
Inrush Current (A)	26.4
Inrush Duration (µs)	224
Glow Wire Test (°C)	650
Energy Efficiency Class (A->G) of contained light source	D
Nominal Frequency (Hz)	50/60Hz
Max. Luminaires per 10A C Breaker	16
Max. Luminaires per 13A C Breaker	21
Max. Luminaires per 16A C Breaker	26
Max. Luminaires per 20A C Breaker	33
Max. Luminaires per 10A B Breaker	10
Max. Luminaires per 13A B Breaker	13
Max. Luminaires per 16A B Breaker	16
Max. Luminaires per 20A B Breaker	20

LIFETIME DATA

Lifespan L70 B50	120000
Lifespan L80 B20	114000
Lifespan L80 B10	108000
Lifespan L90 B10	51500

PHYSICAL DATA

Housing colour	RAL 9005 - Jet black
IP rating	IP20
IK rating	IK02
Diffuser finish	Other
Diffuser material	PMMA Acrylic
Reflector finish	None
Nominal Product Height (mm)	99
Nominal Product Diameter (mm)	175

Concord

EQUINOX 165 2100 930 SSC BLACK 2060590

Cutout Dimensions (W x L in mm or Diameter in mm)	165
--	-----

Weight (kg)	1.55
--------------------	------

PACKAGING

Single packaging type	Carton
------------------------------	--------

Product EAN number	5025768605903
---------------------------	---------------

Packaging single length / height (cm)	20.0
--	------

Packaging single width (cm)	25.0
------------------------------------	------

Packaging single depth (cm)	20.0
------------------------------------	------

DUN14 (outer)	05025768605903
----------------------	----------------

Units per outer package	1
--------------------------------	---

Packaging outer length / height (cm)	20.0
---	------

Packaging outer width (cm)	25.0
-----------------------------------	------

Packaging outer depth (cm)	20.0
-----------------------------------	------

SAFETY DATA

Optimal operating condition (°C)	1-25
---	------

Special purpose lamp	No
-----------------------------	----

Dry applications use only	No
----------------------------------	----

Suitable for household illumination	No
--	----