

Features

- LED Panel with backlit technology, ideal for general indoor lighting applications such as breakout areas, offices and meeting rooms. Extruded aluminium frame, passive cooling. Low glaring UGR<22. RG0, 112 degree beam angle , optical system: PS diffuser with Opal finish. Light color temperature: 4000K Neutral White, total system power: 36W , total fixture output: 3200lm, efficacy: 89 lm/W, Ra80 typical, LED chromacity: 6 step MacAdam ellipse (SDCM6), lifespan: 100,000 hours at 70% of the original output (L70B50), IR/UV free light source without heat radiation, operating voltage: 220-240V / 50-60Hz, low flicker, non dimmable driver, electrical protection: Class II. Degree of Protection: IP40/IP20, suitable for indoor environment only. Nominal size: 595x595mm, Loop in / loop out wiring, safety cables included, 25mm nominal height, White color frame, weight: 1,6Kg.

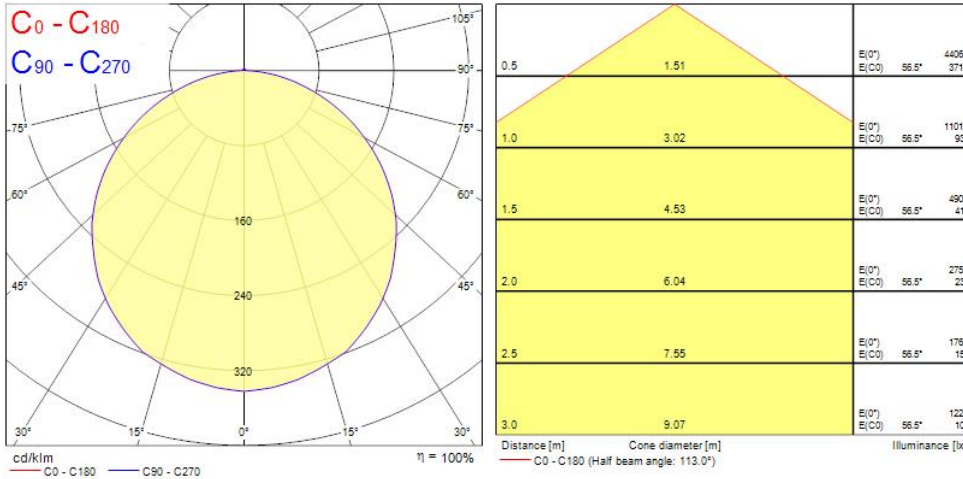
Product Overview

Product name	START Panel 3YW 600x600 3200Lm 840 LILO
Technology	LED
Cap/Base	N/A
Housing	Aluminium, Steel
Mount	Ceiling recessed mounting
General application	Education, Office
ETIM Class	EC002892
E-number FI	4278453
Fixture luminous flux (lm)	3200
Luminaire efficacy (lm/W)	89
Colour temperature (K)	4000
Light colour	Neutral White
CRI (Ra)	80

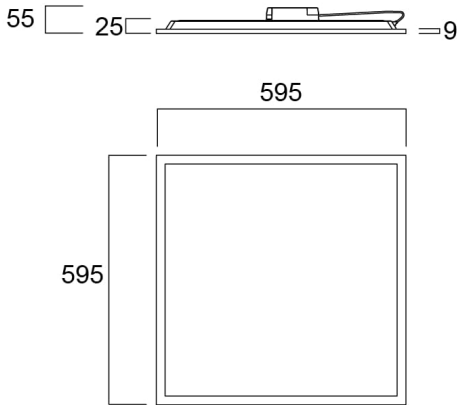
START Panel 3YW 600x600 3200Lm 840 LILO 0042808

Colour Variation Initial (SDCM)	6
Beam Angle (°)	112
Glare control	< 22
Photobiological Risk Group	RG0
Total power consumption (W)	36
Electrical protection	Class II
Control gear type	LED driver constant current
Dimmable	No
LED Flickering Rate	Ultra low (5% or less)
Housing colour	RAL 9003 - Signal white
IP rating	IP40/20
IK rating	IK02
Product EAN number	5410288428086
Warranty	3 years
Dimming method	N/A

Photometry



Technical drawings



Data table

GENERAL DATA

Product name	START Panel 3YW 600x600 3200Lm 840 LILO
Technology	LED
Cap/Base	N/A
Housing	Aluminium, Steel
Mount	Ceiling recessed mounting
General application	Education, Office
Operating temperature range (°C)	-10°C...+45°C
Performance ambient temperature Tq (°C)	25
ETIM Class	EC002892
E-number FI	4278453
Warranty	3 years

OPTICAL DATA

Fixture luminous flux (lm)	3200
Luminaire efficacy (lm/W)	89

START Panel 3YW 600x600 3200Lm 840 LILO 0042808

Colour temperature (K)	4000
Light colour	Neutral White
CRI (Ra)	80
Colour Variation Initial (SDCM)	6
Beam Angle (°)	112
Distribution type	Symmetric
Glare control	< 22
Photobiological Risk Group	RG0

ELECTRICAL DATA

Total power consumption (W)	36
Mains voltage (V)	220-240V
Lamp power factor	0.9
THD (at 230 V, 50 Hz, full load, at 100% dimming level) \leq xx.x %	20.0
Electrical protection	Class II
Control gear required	No
Control gear type	LED driver constant current
No. Of switching cycles before premature failures	>15000
Transformer required	No
Dimmable	No
Dimming method	N/A
Drive current (mA)	680
Inrush Current (A)	17
Inrush Duration (μ s)	150
Glow Wire Test (°C)	650
Energy Efficiency Class (A->G) of contained light source	E
Nominal Frequency (Hz)	50/60Hz
LED Flickering Rate	Ultra low (5% or less)
Max. Luminaires per 10A C Breaker	51
Max. Luminaires per 13A C Breaker	66
Max. Luminaires per 16A C Breaker	81
Max. Luminaires per 20A C Breaker	102

START Panel 3YW 600x600 3200Lm 840 LILO 0042808

Max. Luminaires per 10A B Breaker	33
Max. Luminaires per 13A B Breaker	43
Max. Luminaires per 16A B Breaker	54
Max. Luminaires per 20A B Breaker	68

LIFETIME DATA

Lifespan L70 B50	100000
Lifespan L80 B20	71000

PHYSICAL DATA

Housing colour	RAL 9003 - Signal white
IP rating	IP40/20
IK rating	IK02
Diffuser finish	Diffuse
Diffuser material	Other
Nominal Product Length (mm)	595
Nominal Product Width (mm)	595
Nominal Product Height (mm)	25
Weight (kg)	1.6

PACKAGING

Single packaging type	Carton
Product EAN number	5410288428086
Packaging single length / height (cm)	60.0
Packaging single width (cm)	65.0
Packaging single depth (cm)	3.8
DUN14 (outer)	15410288428083
Units per outer package	4
Packaging outer length / height (cm)	69.0
Packaging outer width (cm)	65.0
Packaging outer depth (cm)	17.0

SAFETY DATA

START Panel 3YW 600x600 3200Lm 840 LILO 0042808

Optimal operating condition (°C)	-10-45
Special purpose lamp	No
Dry applications use only	No
Suitable for household illumination	No