



Features

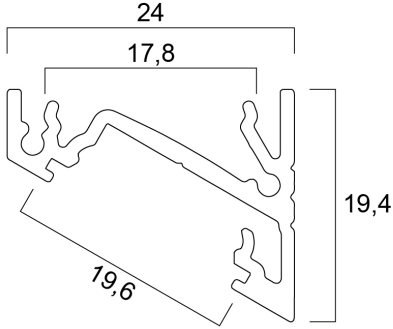
- A 1000mm length anodised aluminium lighting profile that can be combined with slide (0022614) or click (0022615) opal diffusers with a maximum LED strip width of 14mm. Thanks to the angular design this profile offers two lighting angles (30° / 60°). This decorative profile design provides hidden mounting. Additional accessories like end caps, profile holders or mounting brackets need to be ordered separately.

Product Overview

Product name	Profile Corner Surface 14 EF/T 1m anodised
Technology	Accessory
Housing	Aluminium
General application	Retail
ETIM Class	EC002557
E-number FI	4278021
Housing colour	Silver
Product EAN number	5410288225937
Warranty	3 years

Profile Corner Surface 14 EF/T 1m anodised 0022593

Technical drawings



Data table

GENERAL DATA

Product name	Profile Corner Surface 14 EF/T 1m anodised
Technology	Accessory
Housing	Aluminium
General application	Retail
ETIM Class	EC002557
E-number FI	4278021
Warranty	3 years

ELECTRICAL DATA

Control gear required	No
-----------------------	----

PHYSICAL DATA

Housing colour	Silver
Nominal Product Length (mm)	1000
Nominal Product Width (mm)	24

Profile Corner Surface 14 EF/T 1m anodised 0022593

Nominal Product Height (mm)	19.4
Weight (kg)	0.2

PACKAGING

Single packaging type	Carton
Product EAN number	5410288225937
Packaging single length / height (cm)	100.0
Packaging single width (cm)	2.4
Packaging single depth (cm)	2.0
DUN14 (outer)	05410288225937
Units per outer package	50
Packaging outer length / height (cm)	205.0
Packaging outer width (cm)	16.0
Packaging outer depth (cm)	16.0

SAFETY DATA

Special purpose lamp	No
Dry applications use only	No
Suitable for household illumination	No