



### Features

- High performance LED PAR16 lamp with the same look and feel of traditional PAR lamps Glass construction - means no colours clashing between the lamp and fixture Reduced visible heatsink from the front Mercury-free solution Lower maintenance cost Lifetime: 15,000 hours High lumen efficacy Non-dimmable 3 year warranty Suitable for general lighting and accent lighting for hotels, restaurants, bars, lobbies, corridors and halls

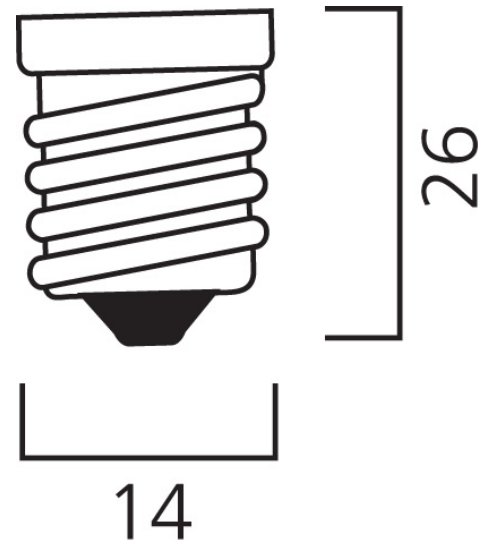
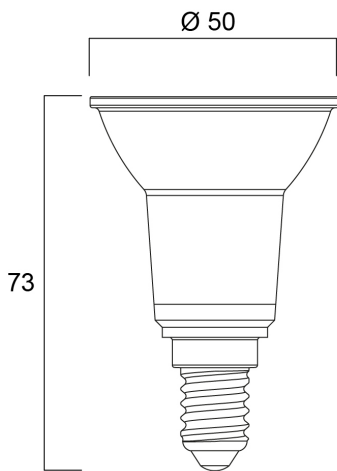
### Product Overview

Product name	RefLED Retro PAR16 V2 345LM 865 E14 36 SL
Technology	LED
Watt (Rated) (W)	4.5
Type	LED exchangeable
Cap/Base	E14
Fixture rating	Open
General application	Hospitality, Museums & Galleries, Residential & Consumer, Retail
ETIM Class	EC001959
E-number FI	4741077
Colour temperature (K)	6500
Light colour	Daylight
CRI (Ra)	80
Colour Consistency (SDCM)	6
Colour Variation Initial (SDCM)	6
Beam Angle (°)	36
Photobiological Risk Group	RG1
Wattage (W)	4.5

## RefLED Retro PAR16 V2 345LM 865 E14 36 SL 0029195

Product Voltage (V)	230
Dimmable	No
Average life (Nominal) (h)	15000
Product EAN number	5410288291956
Warranty	3 years

### Technical drawings



### Data table

#### GENERAL DATA

Product name	RefLED Retro PAR16 V2 345LM 865 E14 36 SL
Technology	LED
Watt (Rated) (W)	4.5
Type	LED exchangeable
Cap/Base	E14
Fixture rating	Open
General application	Hospitality, Museums & Galleries, Residential & Consumer, Retail

## RefLED Retro PAR16 V2 345LM 865 E14 36 SL 0029195

Operating temperature range (°C)	-20°C...+40°C
Performance ambient temperature Tq (°C)	25
ETIM Class	EC001959
E-number FI	4741077
Warranty	3 years

### OPTICAL DATA

Colour temperature (K)	6500
Light colour	Daylight
CRI (Ra)	80
Colour Consistency (SDCM)	6
Colour Variation Initial (SDCM)	6
Luminous Intensity (cd)	700
Beam Angle (°)	36
Photobiological Risk Group	RG1
Lumen maintenance at end of nominal life (%)	70

### ELECTRICAL DATA

Wattage (W)	4.5
Equivalent watt (W)	50
Product Voltage (V)	230
Control gear required	No
No. Of switching cycles before premature failures	>50000
Transformer required	No
Dimmable	No
Inrush Current (A)	4.2
Inrush Duration (µs)	148
Lamp Energy Label (class)	F
Nominal Frequency (Hz)	50/60Hz
Max. Luminaires per 16A C Breaker	183
Max. Luminaires per 16A B Breaker	145

## RefLED Retro PAR16 V2 345LM 865 E14 36 SL 0029195

### LIFETIME DATA

Lifespan L70 B50	15000
Average life (Nominal) (h)	15000
Average life (Rated) (h)	15000

### PHYSICAL DATA

Nominal Product Length (mm)	73
Nominal Product Diameter (mm)	50
Weight (kg)	0.045

### PACKAGING

Single packaging type	Carton
Product EAN number	5410288291956
Packaging single length / height (cm)	5.0
Packaging single width (cm)	5.0
Packaging single depth (cm)	8.7
DUN14 (inner)	25410288291950
Units per inner package	6
Packaging inner length / height (cm)	16.3
Packaging inner width (cm)	11.0
Packaging inner depth (cm)	9.8
DUN14 (outer)	15410288291953
Units per outer package	48
Packaging outer length / height (cm)	34.5
Packaging outer width (cm)	23.8
Packaging outer depth (cm)	22.0

### SAFETY DATA

Optimal operating condition (°C)	-20-40
Breakage cleaning instructions	Not applicable
Special purpose lamp	No
Dry applications use only	Yes
Suitable for household illumination	Yes

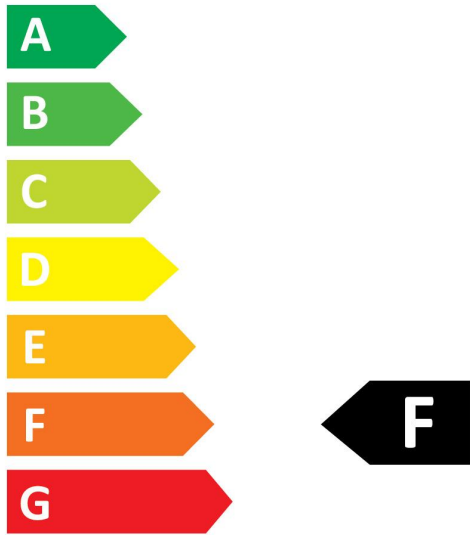
# SYLVANIA

RefLED Retro PAR16 V2 345LM 865 E14 36 SL  
0029195

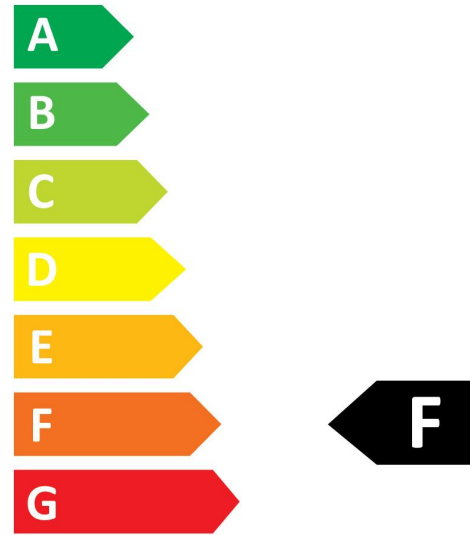
Safety message

Not Suitable for totally enclosed fixtures

## Energy label



5  
kWh/1000h



5  
kWh/1000h



Light your world