



Features

- High performance LED PAR16 lamp with the same look and feel of traditional PAR lamps Glass construction - means no colours clashing between the lamp and fixture Reduced visible heatsink from the front Mercury-free solution Lower maintenance cost Lifetime: 15,000 hours High lumen efficacy Non-dimmable 3 year warranty Suitable for general lighting and accent lighting for hotels, restaurants, bars, lobbies, corridors and halls

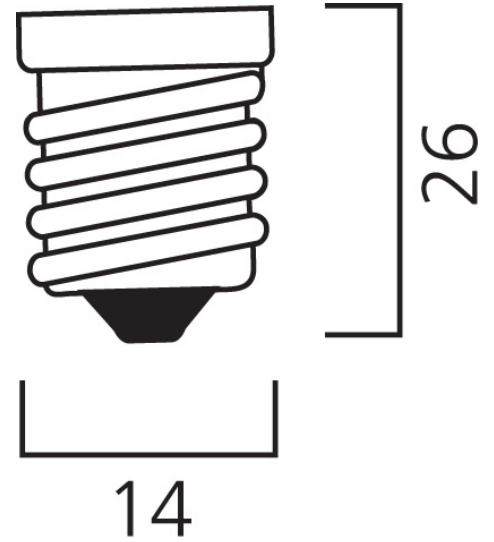
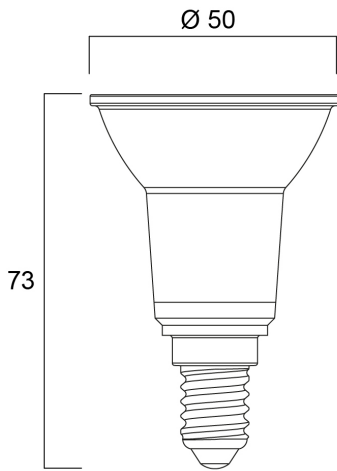
Product Overview

Product name	RefLED Retro PAR16 V2 345LM 830 E14 36 SL
Technology	LED
Watt (Rated) (W)	4.5
Type	LED exchangeable
Cap/Base	E14
Fixture rating	Open
General application	Hospitality, Museums & Galleries, Residential & Consumer, Retail
ETIM Class	EC001959
E-number FI	4741075
Colour temperature (K)	3000
Light colour	Warm White
CRI (Ra)	80
Colour Consistency (SDCM)	6
Colour Variation Initial (SDCM)	6
Beam Angle (°)	36
Photobiological Risk Group	RG1
Wattage (W)	4.5

RefLED Retro PAR16 V2 345LM 830 E14 36 SL 0029193

Product Voltage (V)	230
Dimmable	No
Average life (Nominal) (h)	15000
Product EAN number	5410288291932
Warranty	3 years

Technical drawings



Data table

GENERAL DATA

Product name	RefLED Retro PAR16 V2 345LM 830 E14 36 SL
Technology	LED
Watt (Rated) (W)	4.5
Type	LED exchangeable
Cap/Base	E14
Fixture rating	Open
General application	Hospitality, Museums & Galleries, Residential & Consumer, Retail

RefLED Retro PAR16 V2 345LM 830 E14 36 SL 0029193

Operating temperature range (°C)	-20°C...+40°C
Performance ambient temperature Tq (°C)	25
ETIM Class	EC001959
E-number FI	4741075
Warranty	3 years

OPTICAL DATA

Colour temperature (K)	3000
Light colour	Warm White
CRI (Ra)	80
Colour Consistency (SDCM)	6
Colour Variation Initial (SDCM)	6
Luminous Intensity (cd)	700
Beam Angle (°)	36
Photobiological Risk Group	RG1
Lumen maintenance at end of nominal life (%)	70

ELECTRICAL DATA

Wattage (W)	4.5
Equivalent watt (W)	50
Product Voltage (V)	230
Control gear required	No
No. Of switching cycles before premature failures	>50000
Transformer required	No
Dimmable	No
Inrush Current (A)	4.2
Inrush Duration (µs)	148
Lamp Energy Label (class)	F
Nominal Frequency (Hz)	50/60Hz
Max. Luminaires per 16A C Breaker	183
Max. Luminaires per 16A B Breaker	145

RefLED Retro PAR16 V2 345LM 830 E14 36 SL 0029193

LIFETIME DATA

Lifespan L70 B50	15000
Average life (Nominal) (h)	15000
Average life (Rated) (h)	15000

PHYSICAL DATA

Nominal Product Length (mm)	73
Nominal Product Diameter (mm)	50
Weight (kg)	0.045

PACKAGING

Single packaging type	Carton
Product EAN number	5410288291932
Packaging single length / height (cm)	5.0
Packaging single width (cm)	5.0
Packaging single depth (cm)	8.7
DUN14 (inner)	25410288291936
Units per inner package	6
Packaging inner length / height (cm)	16.3
Packaging inner width (cm)	11.0
Packaging inner depth (cm)	9.8
DUN14 (outer)	15410288291939
Units per outer package	48
Packaging outer length / height (cm)	34.5
Packaging outer width (cm)	23.8
Packaging outer depth (cm)	22.0

SAFETY DATA

Optimal operating condition (°C)	-20-40
Breakage cleaning instructions	Not applicable
Special purpose lamp	No
Dry applications use only	Yes
Suitable for household illumination	Yes

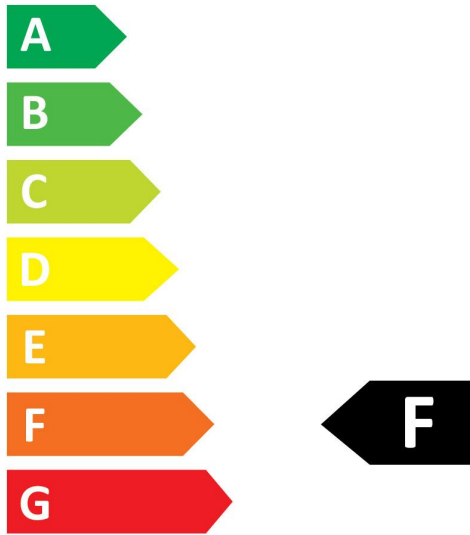
SYLVANIA

RefLED Retro PAR16 V2 345LM 830 E14 36 SL
0029193

Safety message

Not Suitable for totally enclosed fixtures

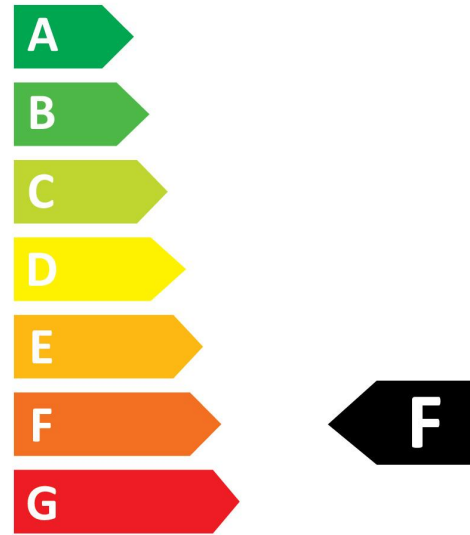
Energy label



5
kWh/1000h



2019/2015



5
kWh/1000h



2019/2015

Light your world