

Features

- START Panel is a range of backlit LED panels used in recessed ceilings. Ideal for general indoor applications such as corridors, breakrooms, offices and meeting rooms. Luminaire dimensions are compatible with common ceiling installation, and the shallow design makes it easy to install in low ceilings. 3600Lm; 36W; 100Lm/W; Drive current: 750mA; Average lifespan: 100.000Hrs; 3000K; CRI 80; Glare control <19; IK03; IP40 (from the front); SDCM<3; Class II; Loop in loop out connector for quick installation; DALI dimmable.

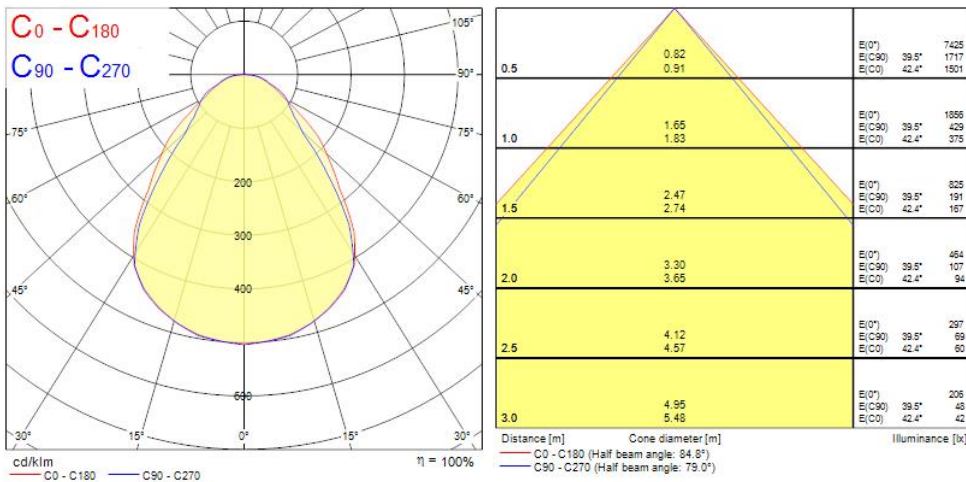
Product Overview

Product name	START Panel UGR19 1200x300 DALI 3600Lm 830
Technology	LED
Housing	Aluminium, Steel
Mount	Ceiling recessed mounting
General application	Education, Office
ETIM Class	EC002892
E-number FI	4278385
Fixture luminous flux (lm)	3600
Luminaire efficacy (lm/W)	100
Colour temperature (K)	3000
Light colour	Warm White
CRI (Ra)	80
Colour Variation Initial (SDCM)	3
Beam Angle (°)	90
Glare control	< 19
Photobiological Risk Group	RG0
Total power consumption (W)	36
Electrical protection	Class II
Control gear type	LED driver constant current

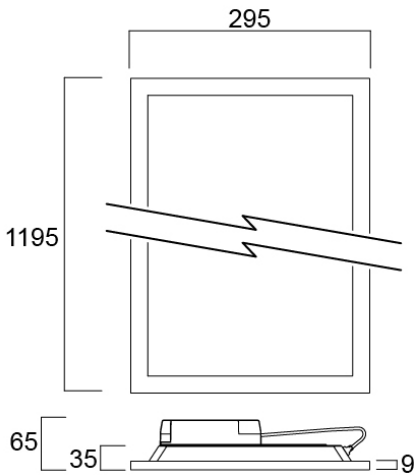
START Panel UGR19 1200x300 DALI 3600Lm 830 0042225

Dimmable	Yes
Minimum dimming level (%)	1
LED Flickering Rate	Ultra low (5% or less)
Housing colour	RAL 9003 - Signal white
IP rating	IP40/20
IK rating	IK03
Product EAN number	5410288422251
Warranty	5 years
Dimming method	DALI

Photometry



Technical drawings



Data table

GENERAL DATA

Product name	START Panel UGR19 1200x300 DALI 3600Lm 830
Technology	LED
Housing	Aluminium, Steel
Mount	Ceiling recessed mounting
General application	Education, Office
Operating temperature range (°C)	-10°C...+45°C
Performance ambient temperature Tq (°C)	25
ETIM Class	EC002892
E-number FI	4278385
Warranty	5 years

OPTICAL DATA

Fixture luminous flux (lm)	3600
Luminaire efficacy (lm/W)	100
Colour temperature (K)	3000

START Panel UGR19 1200x300 DALI 3600Lm 830 0042225

Light colour	Warm White
CRI (Ra)	80
Colour Variation Initial (SDCM)	3
Beam Angle (°)	90
Distribution type	Symmetric
Glare control	< 19
Photobiological Risk Group	RG0

ELECTRICAL DATA

Total power consumption (W)	36
Mains voltage (V)	220-240V
Lamp power factor	0.9
THD (at 230 V, 50 Hz, full load, at 100% dimming level) ≤ xx.x %	5
Electrical protection	Class II
Control gear required	Yes
Control gear type	LED driver constant current
Transformer required	No
Dimmable	Yes
Dimming method	DALI
Minimum dimming level (%)	1
Drive current (mA)	750
Inrush Current (A)	28
Inrush Duration (µs)	195
Glow Wire Test (°C)	650
Energy Efficiency Class (A->G) of contained light source	D
Nominal Frequency (Hz)	50/60Hz
LED Flickering Rate	Ultra low (5% or less)
Max. Luminaires per 10A C Breaker	21
Max. Luminaires per 13A C Breaker	30
Max. Luminaires per 16A C Breaker	36
Max. Luminaires per 20A C Breaker	46
Max. Luminaires per 10A B Breaker	13
Max. Luminaires per 13A B Breaker	18

START Panel UGR19 1200x300 DALI 3600Lm 830 0042225

Max. Luminaires per 16A B Breaker	22
Max. Luminaires per 20A B Breaker	28

LIFETIME DATA

Lifespan L70 B50	100000
Lifespan L80 B20	71000

PHYSICAL DATA

Housing colour	RAL 9003 - Signal white
IP rating	IP40/20
IK rating	IK03
Diffuser finish	Prismatic
Diffuser material	Other
Nominal Product Length (mm)	1195
Nominal Product Width (mm)	295
Nominal Product Height (mm)	35
Weight (kg)	2.034

PACKAGING

Single packaging type	Carton
Product EAN number	5410288422251
Packaging single length / height (cm)	120.6
Packaging single width (cm)	4.0
Packaging single depth (cm)	38.8
DUN14 (outer)	15410288422258
Units per outer package	1
Packaging outer length / height (cm)	120.6
Packaging outer width (cm)	4.0
Packaging outer depth (cm)	38.8

SAFETY DATA

Optimal operating condition (°C)	-10-45
Special purpose lamp	No

START Panel UGR19 1200x300 DALI 3600Lm 830
0042225

Dry applications use only

No

Suitable for household illumination

No