

Features

- START Panel IP44 is a range of backlit LED panels used in recessed ceilings. Ideal for general indoor applications such as corridors, breakrooms, offices and meeting rooms. Luminaire dimensions are compatible with common ceiling installation, and the shallow design makes it easy to install in low ceilings. Nominal size 1200x300mm, 4100Lm; 34W; 121Lm/W; Average lifespan: 100.000Hrs; 4000K; CRI 80; Glare control <19; IK03; IP44 (from the front); SDCM<3; Class II; Loop in loop out connector for quick installation.

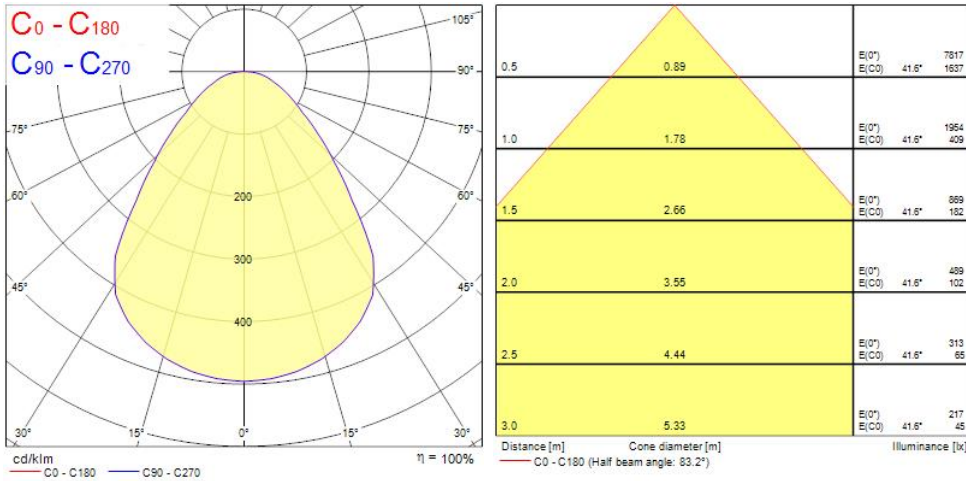
Product Overview

Product name	ST Panel UGR19 1200x300 HE IP44 4100 840 LILO
Technology	LED
Cap/Base	N/A
Housing	Aluminium, Steel
Mount	Ceiling recessed mounting
General application	Education, Office
ETIM Class	EC002892
E-number FI	4278343
Fixture luminous flux (lm)	4100
Luminaire efficacy (lm/W)	121
Colour temperature (K)	4000
Light colour	Neutral White
CRI (Ra)	80
Colour Variation Initial (SDCM)	3
Beam Angle (°)	90
Glare control	< 19
Photobiological Risk Group	RG0
Total power consumption (W)	34
Electrical protection	Class II

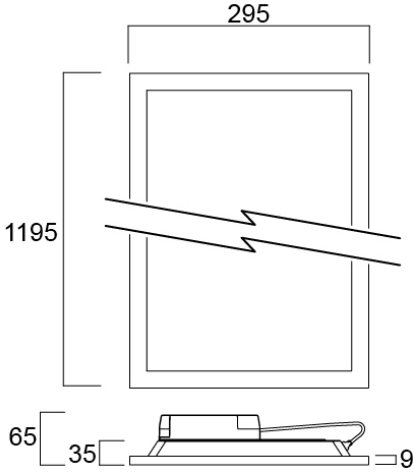
ST Panel UGR19 1200x300 HE IP44 4100 840 LILO 0042635

Control gear type	LED driver constant current
Dimmable	No
LED Flickering Rate	Ultra low (5% or less)
Housing colour	RAL 9003 - Signal white
IP rating	IP44/20
IK rating	IK03
Product EAN number	5410288426358
Warranty	5 years
Dimming method	N/A

Photometry



Technical drawings



Data table

GENERAL DATA

Product name	ST Panel UGR19 1200x300 HE IP44 4100 840 LILO
Technology	LED
Cap/Base	N/A
Housing	Aluminium, Steel
Mount	Ceiling recessed mounting
General application	Education, Office
Operating temperature range (°C)	-10°C...+45°C
Performance ambient temperature Tq (°C)	25
ETIM Class	EC002892
E-number FI	4278343
Warranty	5 years

OPTICAL DATA

Fixture luminous flux (lm)	4100
-----------------------------------	------

ST Panel UGR19 1200x300 HE IP44 4100 840 LILO 0042635

Luminaire efficacy (lm/W)	121
Colour temperature (K)	4000
Light colour	Neutral White
CRI (Ra)	80
Colour Variation Initial (SDCM)	3
Beam Angle (°)	90
Distribution type	Symmetric
Glare control	< 19
Photobiological Risk Group	RG0

ELECTRICAL DATA

Total power consumption (W)	34
Mains voltage (V)	220-240V
Lamp power factor	0.9
THD (at 230 V, 50 Hz, full load, at 100% dimming level) ≤ xx.x %	20.0
Electrical protection	Class II
Control gear required	Yes
Control gear type	LED driver constant current
Transformer required	No
Dimmable	No
Dimming method	N/A
Drive current (mA)	750
Inrush Current (A)	13.2
Inrush Duration (µs)	240
Glow Wire Test (°C)	650
Energy Efficiency Class (A->G) of contained light source	C
Nominal Frequency (Hz)	50/60Hz
LED Flickering Rate	Ultra low (5% or less)
Max. Luminaires per 10A C Breaker	43
Max. Luminaires per 13A C Breaker	57
Max. Luminaires per 16A C Breaker	70
Max. Luminaires per 20A C Breaker	88
Max. Luminaires per 10A B Breaker	25

ST Panel UGR19 1200x300 HE IP44 4100 840 LILO 0042635

Max. Luminaires per 13A B Breaker	33
Max. Luminaires per 16A B Breaker	41
Max. Luminaires per 20A B Breaker	52

LIFETIME DATA

Lifespan L70 B50	100000
Lifespan L80 B20	71000

PHYSICAL DATA

Housing colour	RAL 9003 - Signal white
IP rating	IP44/20
IK rating	IK03
Diffuser finish	Prismatic
Diffuser material	Other
Nominal Product Length (mm)	1195
Nominal Product Width (mm)	295
Nominal Product Height (mm)	35
Weight (kg)	2.162

PACKAGING

Single packaging type	Carton
Product EAN number	5410288426358
Packaging single length / height (cm)	121.1
Packaging single width (cm)	3.8
Packaging single depth (cm)	33.8
DUN14 (outer)	15410288426355
Units per outer package	4
Packaging outer length / height (cm)	125.0
Packaging outer width (cm)	17.5
Packaging outer depth (cm)	39.0

SAFETY DATA

Optimal operating condition (°C)	-10-45
----------------------------------	--------

ST Panel UGR19 1200x300 HE IP44 4100 840 LILO

0042635

Special purpose lamp	No
Dry applications use only	No
Suitable for household illumination	No