



Features

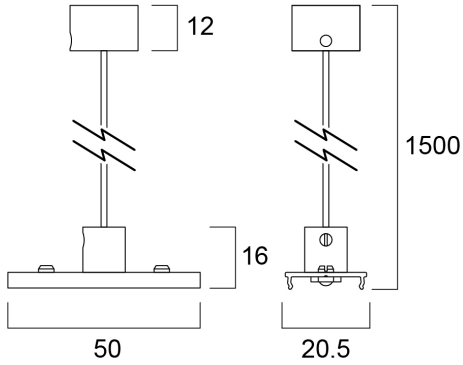
- Suspension kits enable creating pendant luminaires. They are especially recommended for the Profile Semi Deep Surface 20 but are also compatible with many profiles. As a powering sling it provides a minimalistic look - no additional wires required. Using Profile HO Surface 16 creates an aesthetic, closed from the top luminaire. Maximum sling wire load: 2kg. Teflon sheath wire 1x0.50 2500mm. Compatible profiles: Profile Semi Deep Surface 16, Profile Semi Deep Surface 20, Profile Shallow Wide Surface 30, Profile Deep Wide Surface 30.

Product Overview

Product name	SUSPENSION KIT 1500 50V SILVER
Technology	Accessory
Housing	Aluminium
General application	Retail
ETIM Class	EC002557
Housing colour	Silver
Product EAN number	5410288226521
Warranty	3 years

SUSPENSION KIT 1500 50V SILVER 0022652

Technical drawings



Data table

GENERAL DATA

Product name	SUSPENSION KIT 1500 50V SILVER
Technology	Accessory
Housing	Aluminium
General application	Retail
ETIM Class	EC002557
Warranty	3 years

ELECTRICAL DATA

Control gear required	No
-----------------------	----

PHYSICAL DATA

Housing colour	Silver
Weight (kg)	0.087

PACKAGING

SUSPENSION KIT 1500 50V SILVER 0022652

Single packaging type	Plastic
Product EAN number	5410288226521
Packaging single length / height (cm)	16.0
Packaging single width (cm)	9.5
Packaging single depth (cm)	0.5
DUN14 (outer)	15410288226528
Units per outer package	10
Packaging outer length / height (cm)	15.0
Packaging outer width (cm)	10.5
Packaging outer depth (cm)	7.0

SAFETY DATA

Special purpose lamp	No
Dry applications use only	No
Suitable for household illumination	No