

# Concord

EQUINOX 165 2300 940 DALI BLACK  
2060589



## Features

- Equinox is an elegant and innovative luminaire designed using the latest optical technology. It is a high quality and efficient lighting solution for office, hospitality, and retail environments. It creates inspirational halo effects regulated by a unique adjustable optic system. It is DALI dimmable downlight luminaire, Colour rendering index Ra >90, Colour temperature: 4000K Neutral White, Class II, Cut out dimensions: 165mm. Low Glare UGR<19. Finish Jet Black RAL 9005.

## Product Overview

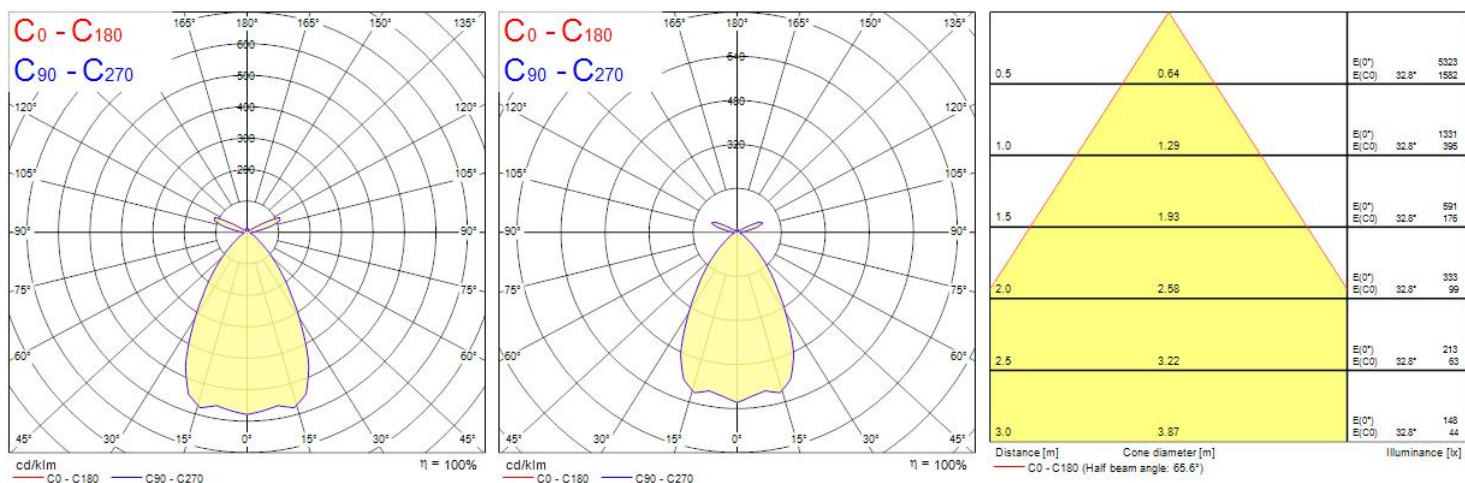
Product name	EQUINOX 165 2300 940 DALI BLACK
Technology	LED
Cap/Base	N/A
Housing	Aluminium
Mount	Ceiling recessed mounting
General application	Office
ETIM Class	EC001744
Fixture luminous flux (lm)	2300
Luminaire efficacy (lm/W)	115
Colour temperature (K)	4000
Light colour	Neutral White
CRI (Ra)	90
Colour Consistency (SDCM)	3
Colour Variation Initial (SDCM)	3
Beam Angle (°)	64
Glare control	< 19
Photobiological Risk Group	RG1
Total power consumption (W)	20

# Concord

## EQUINOX 165 2300 940 DALI BLACK 2060589

Electrical protection	Class II
Control gear type	LED driver constant current
Control gear mounting	Remote
Dimmable	Yes
Minimum dimming level (%)	1
Housing colour	RAL 9005 - Jet black
IP rating	IP20
IK rating	IK02
Product EAN number	5025768605897
Warranty	5 years
Dimming method	DALI, Switch-dim (mains-rated)

### Photometry



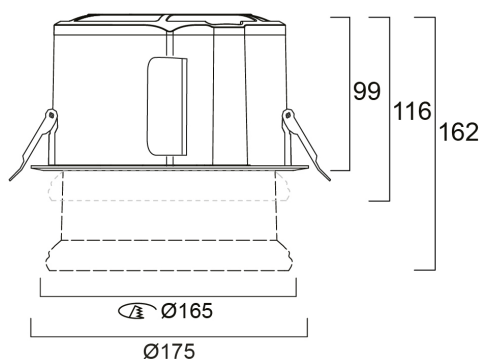
# Concord

## EQUINOX 165 2300 940 DALI BLACK 2060589

0.5	0.64	E(0°) E(C0)	32.6°	5189 1552
1.0	1.28	E(0°) E(C0)	32.6°	1297 388
1.5	1.92	E(0°) E(C0)	32.6°	577 172
2.0	2.56	E(0°) E(C0)	32.6°	324 97
2.5	3.20	E(0°) E(C0)	32.6°	208 62
3.0	3.84	E(0°) E(C0)	32.6°	144 43

Distance [m]      Cone diameter [m]      Illuminance [lx]  
 — C0 - C180 (Half beam angle: 65.2°)

## Technical drawings



## Data table

### GENERAL DATA

<b>Product name</b>	EQUINOX 165 2300 940 DALI BLACK
<b>Technology</b>	LED
<b>Cap/Base</b>	N/A
<b>Housing</b>	Aluminium

# Concord

## EQUINOX 165 2300 940 DALI BLACK 2060589

Mount	Ceiling recessed mounting
General application	Office
Operating temperature range (°C)	1°C...+25°C
Performance ambient temperature Tq (°C)	25
ETIM Class	EC001744
Warranty	5 years

### OPTICAL DATA

Fixture luminous flux (lm)	2300
Luminaire efficacy (lm/W)	115
Colour temperature (K)	4000
Correlated colour temperature range (K)	4000 - 4000
Light colour	Neutral White
CRI (Ra)	90
Colour Consistency (SDCM)	3
Colour Variation Initial (SDCM)	3
Beam Angle (°)	64
Distribution type	Diffuse
Glare control	< 19
Photobiological Risk Group	RG1

### ELECTRICAL DATA

Total power consumption (W)	20
Mains voltage (V)	220-240V
Lamp power factor	0.96
THD (at 230 V, 50 Hz, full load, at 100% dimming level) ≤ xx.x %	3
Electrical protection	Class II
Control gear required	No
Control gear type	LED driver constant current
Control gear mounting	Remote
Transformer required	No
Dimmable	Yes

# Concord

## EQUINOX 165 2300 940 DALI BLACK 2060589

Dimming method	DALI, Switch-dim (mains-rated)
Minimum dimming level (%)	1
Drive current (mA)	650
Drive current - Range (mA)	650mA / 650mA
Inrush Current (A)	26.4
Inrush Duration (µs)	224
Glow Wire Test (°C)	650
Energy Efficiency Class (A->G) of contained light source	D
Nominal Frequency (Hz)	50/60Hz
Max. Luminaires per 10A C Breaker	16
Max. Luminaires per 13A C Breaker	56
Max. Luminaires per 16A C Breaker	64
Max. Luminaires per 20A C Breaker	80
Max. Luminaires per 10A B Breaker	21
Max. Luminaires per 13A B Breaker	28
Max. Luminaires per 16A B Breaker	35
Max. Luminaires per 20A B Breaker	44

### LIFETIME DATA

Lifespan L70 B50	120000
Lifespan L80 B20	114000
Lifespan L80 B10	108000
Lifespan L90 B10	51500

### PHYSICAL DATA

Housing colour	RAL 9005 - Jet black
IP rating	IP20
IK rating	IK02
Diffuser finish	Other
Diffuser material	PMMA Acrylic
Reflector finish	None
Nominal Product Height (mm)	99
Nominal Product Diameter (mm)	175

# Concord

## EQUINOX 165 2300 940 DALI BLACK 2060589

<b>Cutout Dimensions (W x L in mm or Diameter in mm)</b>	165
--	-----

<b>Weight (kg)</b>	1.55
--------------------	------

### PACKAGING

<b>Single packaging type</b>	Carton
------------------------------	--------

<b>Product EAN number</b>	5025768605897
---------------------------	---------------

<b>Packaging single length / height (cm)</b>	20.0
--	------

<b>Packaging single width (cm)</b>	25.0
------------------------------------	------

<b>Packaging single depth (cm)</b>	20.0
------------------------------------	------

<b>DUN14 (outer)</b>	05025768605897
----------------------	----------------

<b>Units per outer package</b>	1
--------------------------------	---

<b>Packaging outer length / height (cm)</b>	20.0
---	------

<b>Packaging outer width (cm)</b>	25.0
-----------------------------------	------

<b>Packaging outer depth (cm)</b>	20.0
-----------------------------------	------

### SAFETY DATA

<b>Optimal operating condition (°C)</b>	1-25
---	------

<b>Special purpose lamp</b>	No
-----------------------------	----

<b>Dry applications use only</b>	No
----------------------------------	----

<b>Suitable for household illumination</b>	No
--	----