

# Concord

EQUINOX 165 2300 930 DALI  
2059948



## Features

- Equinox is an elegant and innovative luminaire designed using the latest optical technology. It is a high quality and efficient lighting solution for office, hospitality, and retail environments. It creates inspirational halo effects regulated by a unique adjustable optic system. It is DALI dimmable downlight luminaire, Colour rendering index Ra >90, Colour temperature: 3000K Warm White, Class II, Cut out dimensions: 165mm. Low Glare UGR<19.

## Product Overview

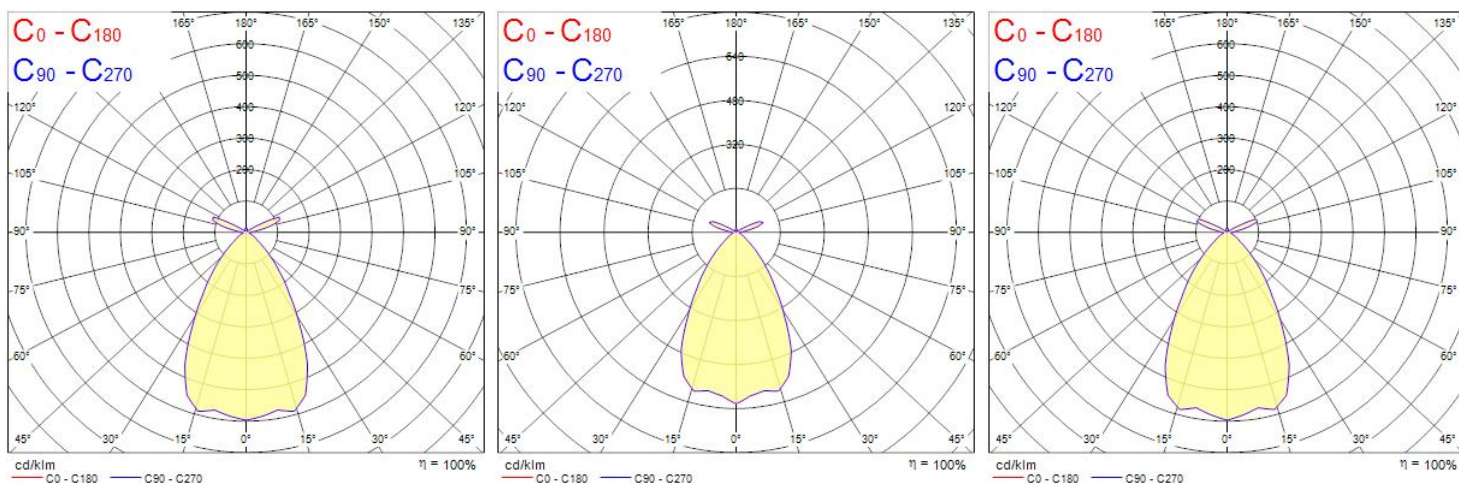
Product name	EQUINOX 165 2300 930 DALI
Technology	LED
Cap/Base	N/A
Housing	Aluminium
Mount	Ceiling recessed mounting
General application	Office
ETIM Class	EC001744
Fixture luminous flux (lm)	2300
Luminaire efficacy (lm/W)	115
Colour temperature (K)	3000
Light colour	Warm White
CRI (Ra)	90
Colour Consistency (SDCM)	3
Colour Variation Initial (SDCM)	3
Beam Angle (°)	64
Glare control	< 19
Photobiological Risk Group	RG1
Total power consumption (W)	20

# Concord

## EQUINOX 165 2300 930 DALI 2059948

Electrical protection	Class II
Control gear type	LED driver constant current
Control gear mounting	Remote
Dimmable	Yes
Minimum dimming level (%)	1
Housing colour	RAL 9016 - Traffic white / Bezel
IP rating	IP20
IK rating	IK02
Product EAN number	5025768599486
Warranty	5 years
Dimming method	DALI, Switch-dim (mains-rated)

## Photometry



Distance [m]	Cone diameter [m]	E(0°) E(C0)	η
0.5	0.62	5490 1681	100%
1.0	1.25	1373 429	
1.5	1.87	610 187	
2.0	2.50	343 106	
2.5	3.12	220 67	
3.0	3.75	153 47	

Distance [m] Cone diameter [m] Illuminance [lx]  
C0 - C180 (Half beam angle: 64.0°)

Distance [m]	Cone diameter [m]	E(0°) E(C0)	η
0.5	0.62	5480 1677	100%
1.0	1.24	1370 419	
1.5	1.87	609 186	
2.0	2.49	342 106	
2.5	3.11	219 67	
3.0	3.73	152 47	

Distance [m] Cone diameter [m] Illuminance [lx]  
C0 - C180 (Half beam angle: 63.8°)

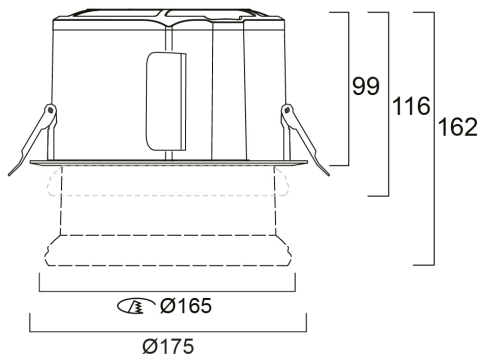
Distance [m]	Cone diameter [m]	E(0°) E(C0)	η
0.5	0.64	1015 305	100%
1.0	1.28	254 78	
1.5	1.92	113 34	
2.0	2.56	63 19	
2.5	3.20	41 12	
3.0	3.84	28 8	

Distance [m] Cone diameter [m] Illuminance [lx]  
C0 - C180 (Half beam angle: 65.2°)

# Concord

EQUINOX 165 2300 930 DALI  
2059948

## Technical drawings



## Data table

### GENERAL DATA

Product name	EQUINOX 165 2300 930 DALI
Technology	LED
Cap/Base	N/A
Housing	Aluminium
Mount	Ceiling recessed mounting
General application	Office
Operating temperature range (°C)	1°C...+25°C
Performance ambient temperature Tq (°C)	25
ETIM Class	EC001744
Warranty	5 years

### OPTICAL DATA

Fixture luminous flux (lm)	2300
----------------------------	------

# Concord

## EQUINOX 165 2300 930 DALI 2059948

Luminaire efficacy (lm/W)	115
Colour temperature (K)	3000
Correlated colour temperature range (K)	3000 - 3000
Light colour	Warm White
CRI (Ra)	90
Colour Consistency (SDCM)	3
Colour Variation Initial (SDCM)	3
Beam Angle (°)	64
Distribution type	Diffuse
Glare control	< 19
Photobiological Risk Group	RG1

### ELECTRICAL DATA

Total power consumption (W)	20
Mains voltage (V)	220-240V
Lamp power factor	0.96
THD (at 230 V, 50 Hz, full load, at 100% dimming level) ≤ xx.x %	3
Electrical protection	Class II
Control gear required	No
Control gear type	LED driver constant current
Control gear mounting	Remote
Transformer required	No
Dimmable	Yes
Dimming method	DALI, Switch-dim (mains-rated)
Minimum dimming level (%)	1
Drive current (mA)	650
Drive current - Range (mA)	650mA / 650mA
Inrush Current (A)	20
Inrush Duration (µs)	140
Glow Wire Test (°C)	650
Energy Efficiency Class (A->G) of contained light source	D
Nominal Frequency (Hz)	50/60Hz
Max. Luminaires per 10A C Breaker	40

# Concord

## EQUINOX 165 2300 930 DALI 2059948

Max. Luminaires per 13A C Breaker	56
Max. Luminaires per 16A C Breaker	64
Max. Luminaires per 20A C Breaker	80
Max. Luminaires per 10A B Breaker	21
Max. Luminaires per 13A B Breaker	28
Max. Luminaires per 16A B Breaker	35
Max. Luminaires per 20A B Breaker	44

### LIFETIME DATA

Lifespan L70 B50	120000
Lifespan L80 B20	114000
Lifespan L80 B10	108000
Lifespan L90 B10	51500

### PHYSICAL DATA

Housing colour	RAL 9016 - Traffic white / Bezel
IP rating	IP20
IK rating	IK02
Diffuser finish	Other
Diffuser material	PMMA Acrylic
Reflector finish	None
Nominal Product Height (mm)	99
Nominal Product Diameter (mm)	175
Cutout Dimensions (W x L in mm or Diameter in mm)	165
Weight (kg)	1.55

### PACKAGING

Single packaging type	Carton
Product EAN number	5025768599486
Packaging single length / height (cm)	20.0
Packaging single width (cm)	25.0
Packaging single depth (cm)	20.0
DUN14 (outer)	05025768599486

# Concord

EQUINOX 165 2300 930 DALI  
**2059948**

---

Units per outer package	1
Packaging outer length / height (cm)	20.0
Packaging outer width (cm)	25.0
Packaging outer depth (cm)	20.0

## SAFETY DATA

---

Optimal operating condition (°C)	1-25
Special purpose lamp	No
Dry applications use only	No
Suitable for household illumination	No