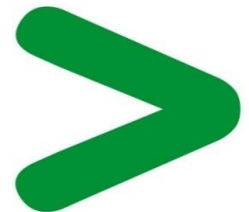
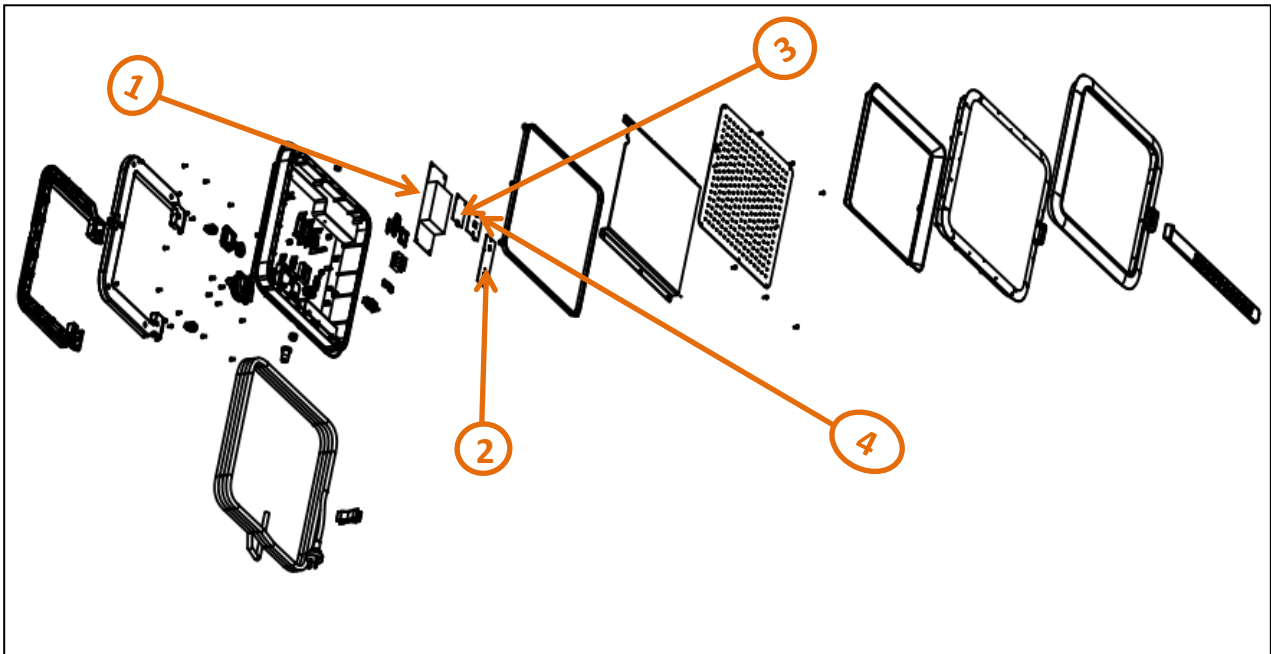


Product End of Life Instructions

Thorsman WL 6800lm, 55W, Schuko Soc, USB



End of Life Instructions



Recommendation	Number on drawing	Component / Material	Weight (in g)	Comment
To be depolluted	1	Electronic Board (Communication) > 10cm ²	105	Including all soldering parts
To be depolluted	2	Electronic Board (Power) > 10cm ²	37	Including all soldering parts
To be depolluted	3	Electronic Board (Power) > 10cm ²	9	Including all soldering parts
To be depolluted	4	Electronic Board (Communication) > 10cm ²	9	Including all soldering parts

Product description

Manufacturer identification	Schneider Electric Industries SAS
Brand name	Schneider Electric
Product function	The main purpose of the work lamp is to provide portable 55W lighting, USB charging socket, AC socket.
Product reference	IMT47272
Total representative product mass	2600 g
Representative product dimensions	270mm x 260mm x 73mm
Date of information release	07/2022

Additional information

Legal information	The product family must be disposed according to the legislation of the country. This document is intended for use by end of life recyclers or treatment facilities. It provides the basic information to assure an appropriate end of life treatment for the components and materials of the product.
Recyclability potential	37% Based on "ECO'DEEE recyclability and recoverability calculation method" (version V1, 20 Sep. 2008 presented to the French Agency for Environment and Energy Management: ADEME).

*Schneider Electric Industries SAS
Country Customer Care Center
<http://www.schneider-electric.com/contact>
35, rue Joseph Monier
CS 30323
F- 92506 Rueil Malmaison Cedex
RCS Nanterre 954 503 439
Capital social 896 313 776 €*

www.schneider-electric.com

ENVEOLI2206014_V1

Published by Schneider Electric

© 2019 - Schneider Electric – All rights reserved

07/2022