



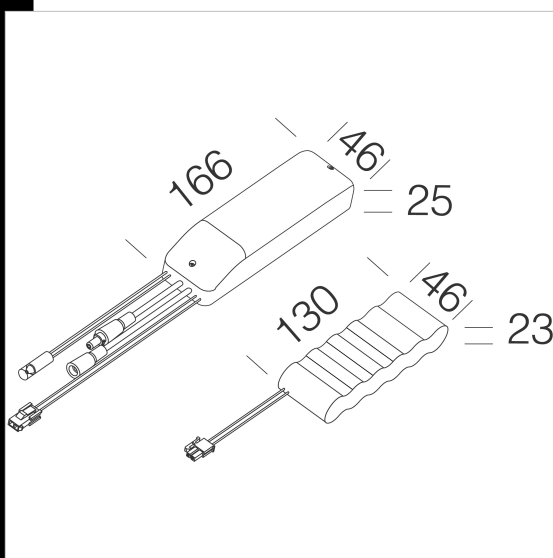
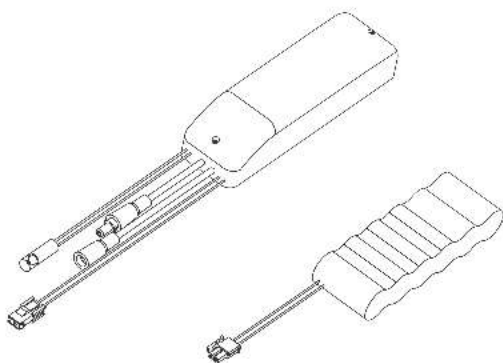
Download

DXF 2D
- emkit.dxf

Montaggi
- Kit-EM Rev1.pdf

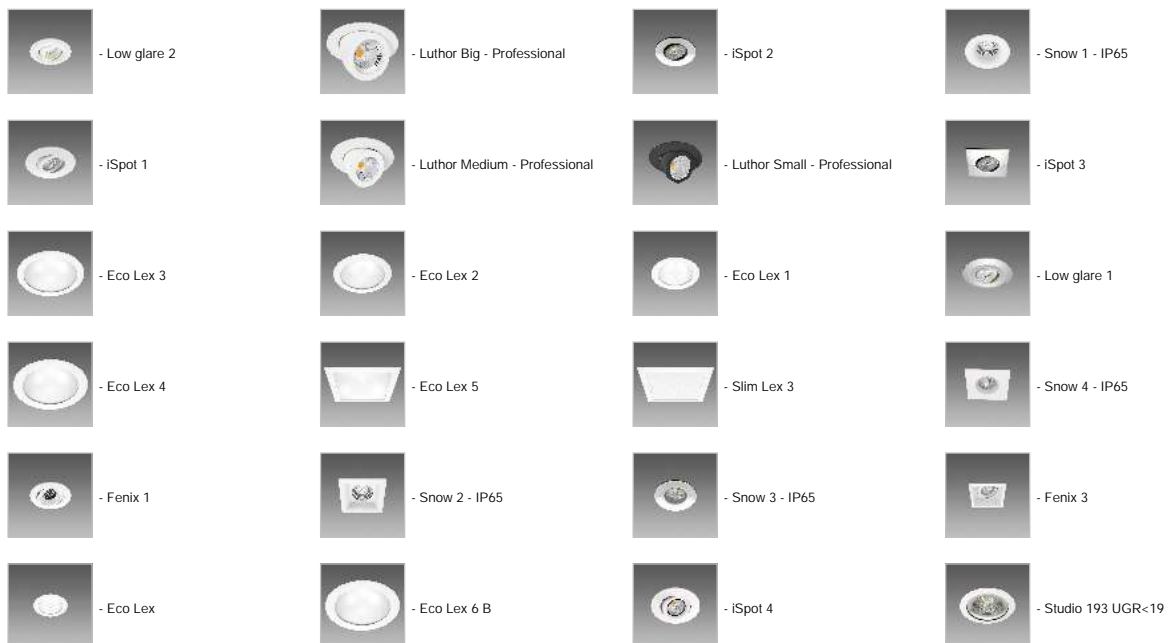
EM Kit Q

EM (emergency) lamp power kit complete with connectors.
MAX 54W



Code	Gear	Kg	Lumen-K-CRI	WTot
22096015-00	CLD-E	0,50	1 Hour---	0 W
22096033-00	CLD-E	0,50	3 Hours---	0 W

Prodotti



The reported luminous flux is the flux emitted by the light source with a tolerance of $\pm 10\%$ compared to the indicated value. The W tot column indicates the total wattage absorbed by the system without exceeding 10% of the indicated

Prodotti

	- Studio 220 UGR<19		- iSpot Hotel 1 - DIMM		- iSpot Hotel 2 - DIMM		- iSpot Hotel 3
	- iSpot Hotel 4		- Marte 6		- Marte 7		- Eco Lex Q1
	- Eco Lex Q2		- Eco Lex Q3		- Eco Lex Q4		- Marte 9
	- Eco Lex - CRI 95		- Eco Lex 1 - CRI 95		- Eco Lex 3 B		- Eco Lex 2 - CRI 93
	- Eco Lex 3 - CRI 95		- Eco Lex 4 - CRI 95		- Studio B 140 - CRI 92		- Studio B 165 - CRI 92
	- Studio B 193 - CRI 92		- Studio B 220 - CRI 92		- Jet 140 - IP44		- Jet 180 - IP44
	- Jet 250 - IP44		- Jet 230 - IP44		- Jet Q 130 - IP44		- Jet Q 170 - IP44
	- Jet Q 220 - IP44		- Techno B 140 - TOTAL WHITE		- Techno B 165 - TOTAL WHITE		- Techno B 193 - TOTAL WHITE
	- Techno B 220 - TOTAL WHITE		- Techno B 245 - TOTAL WHITE		- Jet 140 - IP44 - MATT		- Jet 180 - IP44 - MATT
	- Jet 230 - IP44 - MATT		- Jet 250 IP44 - MATT		- Fenix 2		- Eco Lex 6 - CRI 95
	- Saving Comfort A		- Saving Comfort B		- Saving 165		- Saving 193
	- Saving 245		- Snow 50		- Snow 70		- Snow 111
	- Luthor Big - Professional DIP SWITCH		- Luthor Medium - Professional DIP SWITCH		- Luthor Small - Professional DIP SWITCH		

The reported luminous flux is the flux emitted by the light source with a tolerance of $\pm 10\%$ compared to the indicated value. The W tot column indicates the total wattage absorbed by the system without exceeding 10% of the indicated