



pipe individually, Length 250 mm, accessory for signaling columns, with diameters 50 mm and 70 mm

product brand name	SIRIUS
product designation	Pipe
<b>General technical data</b>	
reference code according to EN 61346-2	U
<b>Enclosure</b>	
height	250 mm
width	25 mm
material	aluminum
color	silver
length of the mounting tube	250 mm

<b>Certificates/ approvals</b>		
General Product Approval	EMC	Declaration of Conformity

[Confirmation](#)



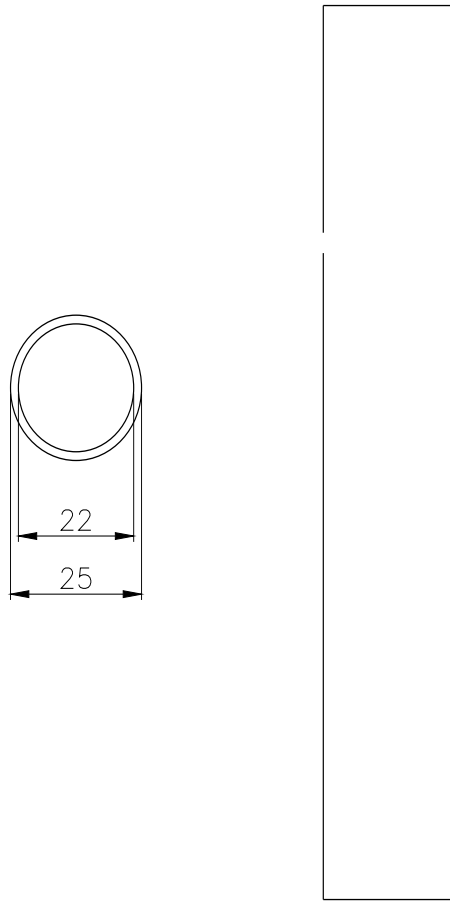
Marine / Shipping	other
-------------------	-------



[Confirmation](#)

**Further information**

Siemens has decided to exit the Russian market (see here).  
<https://press.siemens.com/global/en/pressrelease/siemens-wind-down-russian-business>  
 Siemens is working on the renewal of the current EAC certificates.  
 Please contact your local Siemens office on the status of validity of the EAC certification if you intend to import or offer to supply these products to an EAC relevant market (other than the sanctioned EAEU member states Russia or Belarus).  
**Information on the packaging**  
<https://support.industry.siemens.com/cs/ww/en/view/109813875>  
**Information- and Downloadcenter (Catalogs, Brochures,...)**  
<https://www.siemens.com/ic10>  
**Industry Mall (Online ordering system)**  
<https://mall.industry.siemens.com/mall/en/en/Catalog/product?mlfb=8WD4308-0EA>  
**Cax online generator**  
<http://support.automation.siemens.com/WWW/CAXorder/default.aspx?lang=en&mlfb=8WD4308-0EA>  
**Service&Support (Manuals, Certificates, Characteristics, FAQs,...)**  
<https://support.industry.siemens.com/cs/ww/en/ps/8WD4308-0EA>  
**Image database (product images, 2D dimension drawings, 3D models, device circuit diagrams, EPLAN macros, ...)**  
[http://www.automation.siemens.com/bilddb/cax\\_de.aspx?mlfb=8WD4308-0EA&lang=en](http://www.automation.siemens.com/bilddb/cax_de.aspx?mlfb=8WD4308-0EA&lang=en)



---

last modified:

12/21/2020 