



SIMATIC S7-1200, CM 1243-2 communication module AS-Interface master according to AS-i specification V3.0

General technical data		
product designation		AS-Interface Master
product type designation		CM 1243-2
protection class IP		IP20
type of electrical connection of the AS-Interface		Screw-type connection
type of voltage supply		via backplane bus
consumed current		
<ul style="list-style-type: none"> from profile conductors of the AS-Interface <ul style="list-style-type: none"> — at 30 V maximum 	mA	100
<ul style="list-style-type: none"> from backplane bus maximum 	mA	250
power loss [W]	W	2.9
insulation voltage rated value	V	500
product feature redundancy capability		No
product function suitable for AS-i Power24V		Yes
<ul style="list-style-type: none"> note 		All product versions
product function		
<ul style="list-style-type: none"> web-based management 		No
<ul style="list-style-type: none"> diagnostics via email 		No
<ul style="list-style-type: none"> galvanic isolation 		Yes
display version		
<ul style="list-style-type: none"> as status display by LED 		AS-i, PF, CM, CER, DIAG
type of configuration of the AS-Interface		With STEP7, command interface
Communication/ Protocol		
version of the AS-Interface specification		V 3.0
AS-Interface master profile is supported		M4 (in acc. with AS-interface specification V 3.0)
type of data transmission		S7-1200 backplane bus
number of units per CPU maximum		3
number of units per CPU maximum note		Max. 3 communication modules in total (CM /CP)
number of interfaces		
<ul style="list-style-type: none"> as AS-Interface 		1
<ul style="list-style-type: none"> according to RS 485 		0
<ul style="list-style-type: none"> according to Industrial Ethernet 		0
<ul style="list-style-type: none"> according to PROFINET 		0
<ul style="list-style-type: none"> according to wireless 		0
<ul style="list-style-type: none"> according to USB 		0
<ul style="list-style-type: none"> other 		0
product component optical interface		No
protocol is supported		
<ul style="list-style-type: none"> ASIsafe (Safety at work) protocol 		No
<ul style="list-style-type: none"> PROFIsafe protocol 		No

• PROFIBUS protocol		No
• PROFINET IO protocol		No
• PROFINET CBA protocol		No
• TCP/IP		No
• SNMP		No
standard for wireless communication IEEE 802.11		No

Inputs/ Outputs		
number of inputs for AS-Interface maximum		496
number of outputs for AS-Interface maximum		496
number of AS-i slaves per AS-Interface maximum		62
bus cycle time of the AS-Interface		
• for 31 slaves	ms	5
• for 62 slaves	ms	10
access to digital I/O data		via process image/peripheral addresses
access to analog I/O data		via process diagram/peripheral addresses and data record transfer

Mechanical data		
width	mm	30
height	mm	100
depth	mm	75
fastening method		snap-on fastening on 35 mm DIN rail
module format		S7-1200 design

Ambient conditions		
ambient temperature		
• if installed on horizontal mounting rail during operation	°C	0 ... 55
• if installed on vertical mounting rail during operation	°C	0 ... 45
• during transport	°C	-40 ... +70
• during storage	°C	-40 ... +70
relative humidity at 25 °C during operation maximum	%	95
installation altitude at height above sea level maximum	m	2 000

Safety related data		
suitability for use safety-related function		No
explosion protection marking for intrinsic safety of related equipment		
• EEx ia		No
• EEx ib		No
explosion protection category for gas		II 3 G Ex ec IIC T4 Gc
explosion protection category for dust		none

Certificates/ approvals		EMC	For use in hazardous locations
General Product Approval			

[Confirmation](#)

[FM](#)



For use in hazardous locations	Declaration of Conformity	Marine / Shipping	other
--------------------------------	---------------------------	-------------------	-------



[Explosion Protection Certificate](#)



other

[Confirmation](#)

Further information

Siemens has decided to exit the Russian market (see here).

<https://press.siemens.com/global/en/pressrelease/siemens-wind-down-russian-business>

Siemens is working on the renewal of the current EAC certificates.

Please contact your local Siemens office on the status of validity of the EAC certification if you intend to import or offer to supply these products to an EAC relevant market (other than the sanctioned EAEU member states Russia or Belarus).

Information on the packaging

<https://support.industry.siemens.com/cs/ww/en/view/109813875>

Information- and Downloadcenter (Catalogs, Brochures,...)

<https://www.siemens.com/ic10>

Industry Mall (Online ordering system)

<https://mall.industry.siemens.com/mall/en/en/Catalog/product?mlfb=3RK7243-2AA30-0XB0>

Cax online generator

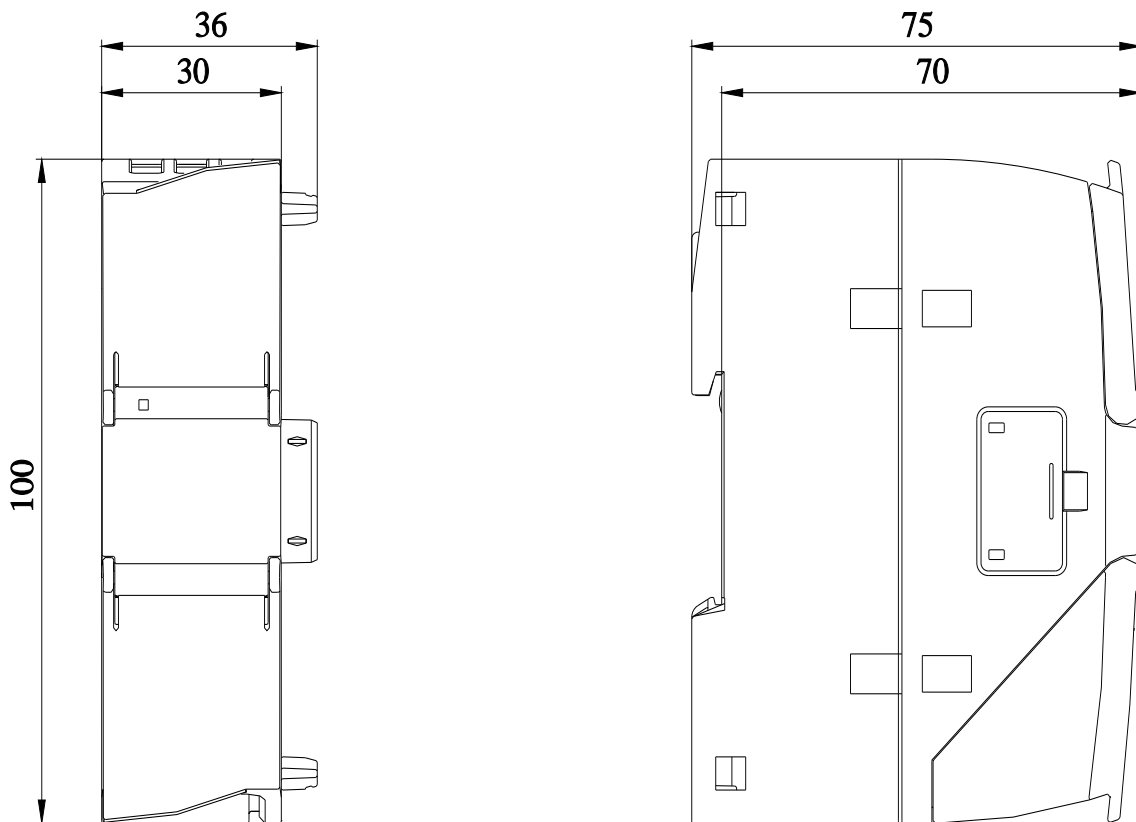
<http://support.automation.siemens.com/WW/CAXorder/default.aspx?lang=en&mlfb=3RK7243-2AA30-0XB0>

Service&Support (Manuals, Certificates, Characteristics, FAQs,...)

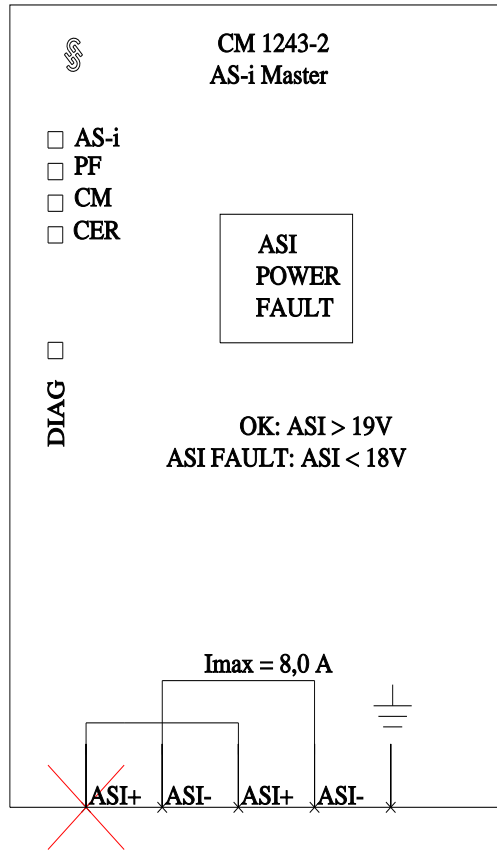
<https://support.industry.siemens.com/cs/ww/en/ps/3RK7243-2AA30-0XB0>

Image database (product images, 2D dimension drawings, 3D models, device circuit diagrams, EPLAN macros, ...)

http://www.automation.siemens.com/bilddb/cax_de.aspx?mlfb=3RK7243-2AA30-0XB0&lang=en



-A1



last modified:

8/14/2023