

foot individually, plastic, for floor mounting, without pipe, accessory for signaling columns, with diameter 50 mm



product brand name	SIRIUS		
product designation	Foot for floor mounting		
General technical data			
reference code according to EN 61346-2	U		
Enclosure			
height	37 mm		
width	70 mm		
material	PA		
color	black		
fastening method	floor mounting		
Ambient conditions			
ambient temperature during operation	-20 ... +50 °C		
Certificates/ approvals			
General Product Approval	EMC	Declaration of Conformity	other

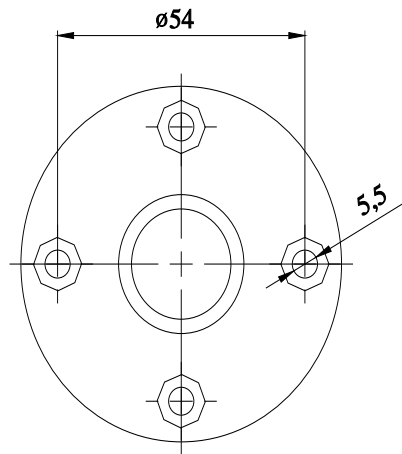
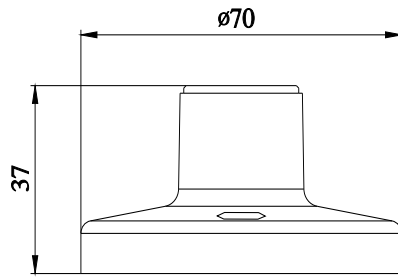
[Confirmation](#)



[Confirmation](#)

Further information

Siemens has decided to exit the Russian market (see here).
<https://press.siemens.com/global/en/pressrelease/siemens-wind-down-russian-business>
 Siemens is working on the renewal of the current EAC certificates.
 Please contact your local Siemens office on the status of validity of the EAC certification if you intend to import or offer to supply these products to an EAC relevant market (other than the sanctioned EAEU member states Russia or Belarus).
Information on the packaging
<https://support.industry.siemens.com/cs/ww/en/view/109813875>
Information- and Downloadcenter (Catalogs, Brochures,...)
<https://www.siemens.com/ic10>
Industry Mall (Online ordering system)
<https://mall.industry.siemens.com/mall/en/en/Catalog/product?mlfb=8WD4208-0DE>
Cax online generator
<http://support.automation.siemens.com/WW/CAXorder/default.aspx?lang=en&mlfb=8WD4208-0DE>
Service&Support (Manuals, Certificates, Characteristics, FAQs,...)
<https://support.industry.siemens.com/cs/ww/en/ps/8WD4208-0DE>
Image database (product images, 2D dimension drawings, 3D models, device circuit diagrams, EPLAN macros, ...)
http://www.automation.siemens.com/bilddb/cax_de.aspx?mlfb=8WD4208-0DE&lang=en



last modified:

12/23/2020 