

Pluggable Multi-pole SPD

ProTec DMG(R) 20 (2+0)

Class III • Type 3



Location of Use: Sub-distribution Boards
 Network Systems: TN-S
 Mode of Protection: L - PE, N - PE
 IEC/EN Category: Class III/Type 3
 Housing: Modular Design
 Compliance: IEC 61643-11:2011
 EN 61643-11:2012

Technical Data

ProTec DMG(R) 20/xxx (2+0)

320

IEC Electrical

Nominal AC Voltage (50/60 Hz)	U_o	230V
Maximum Continuous Operating Voltage (AC)	U_c	320V
Open Circuit Voltage of the Combination Wave Generator (1.2/50 μ s)	U_{oc}	10kV
Short Circuit Current of Combination Wave Generator (8/20 μ s)	I_{cw}	5kA
Maximum Discharge Current (8/20 μ s)	I_{max}	10kA
Voltage Protection Level	U_p	< 1.6kV
Response Time	t_A	< 100ns
Overcurrent Protection (max)		63A gG
Short-Circuit Current Rating (AC)	I_{SCCR}	10kA
TOV Withstand 5s	U_T	337V
Number of Ports		1

Mechanical & Environmental

Temperature Range	T_a	-40 °F to +185 °F [-40 °C to +85 °C]
Permissible Humidity	RH	5%...95%
Terminal Screw Torque	(L, N) M_{max}	4.4 lbf-in [0.5Nm]
Terminal Screw Torque	(PE) M_{max}	26.5 lbf-in [3.0Nm]
Conductor Cross Section	(L, N)	10 AWG (Solid, Stranded) / 12 AWG (Flexible) 6 mm ² (Solid, Stranded) / 4 mm ² (Flexible)
Conductor Cross Section	(PE)	2 AWG (Solid, Stranded) / 4 AWG (Flexible) 35 mm ² (Solid, Stranded) / 25 mm ² (Flexible)
Mounting		35mm DIN Rail, EN 60715
Degree of Protection		IP 20 (built-in)
Housing Material		Thermoplastic: Extinguishing Degree UL 94 V-0
Thermal Protection		Yes
Fault Indication		Red Flag
Remote Contacts (RC)		Optional
RC Switching Capacity		AC: 250V/0.5A; 125V/3A
RC Terminal Cross Section (max)		1.5mm ² (Solid) / 16 AWG (Solid)
RC Terminal Screw Torque		2.2 lbf-in [0.25Nm]

Order Information

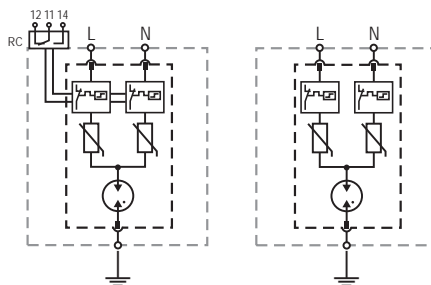
Order Code	320
ProTec DMG 20/xxx (2+0)	508.369
ProTec DMGR 20/xxx (2+0) (with remote contacts)	508.370
Plug ProTec DMG(R) 20/xxx	508.371

ProTec DMG(R) 20 (2+0)

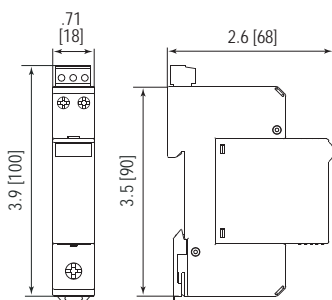
Internal Configuration

Legend

- L Line Conductor Terminal
- N Neutral Conductor Terminal
- ⏚ PE/G Conductor Terminal
- RC Remote Contacts Terminal (Optional)



Complete Unit

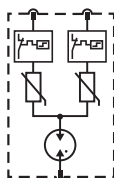


Complete Unit Dimensions & Packaging

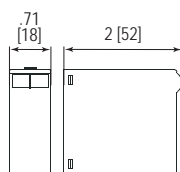
ProTec DMG 20/xxx (2+0)		320
Weight	pounds [grams]	0.260 [118]
ProTec DMGR 20/xxx (2+0)		
Weight	pounds [grams]	0.271 [123]
Single Unit DIN 43880 Dimension		1 TE / .71" [18]
Packaging Dimensions (H x W x L)		3.1 x 4.4 x 11.7" [79 x 112 x 298 mm]
Standard Order Quantity		12 Units

Plug Internal Configuration

Plug ProTec DMG(R) 20/xxx



Spare Plug



Single Unit Dimensions & Packaging

Plug ProTec DMG(R) 20/xxx		320
Weight	pounds [grams]	0.112 [51]
DIN 43880 Dimension		1 TE / .71" [18]
Packaging Dimensions (H x W x L)		3.8 x 3 x 4.3" [98 x 77 x 110 mm]
Standard Order Quantity		12 Units

inches
[mm]