

KombiSIGN 50 / LED Bulb

LED Bulb 24VAC/DC RD**Part No.:** 956.100.75**MECHANICAL DATA**

Height	41 mm
Diameter	29 mm
Materials	PA-GF PC
Housing colour	Black
Weight with packaging	13 g
Product weight	9 g

ELECTRICAL DATA

Operating voltage	24V
Operating voltage type	AC/DC
Operating voltage frequency	50Hz
Operating voltage tolerance	+/- 10%
Rated operational voltage	24 VDC
Rated operational current	45 mA
Rated inrush current	500 mA

OPTICAL DATA

Light source	LED
Light colour	Red
Optical signal image	Permanent
Service life optical	50,000 h maximum
Lamp fitting/socket	BA15d

APPROVAL DATA

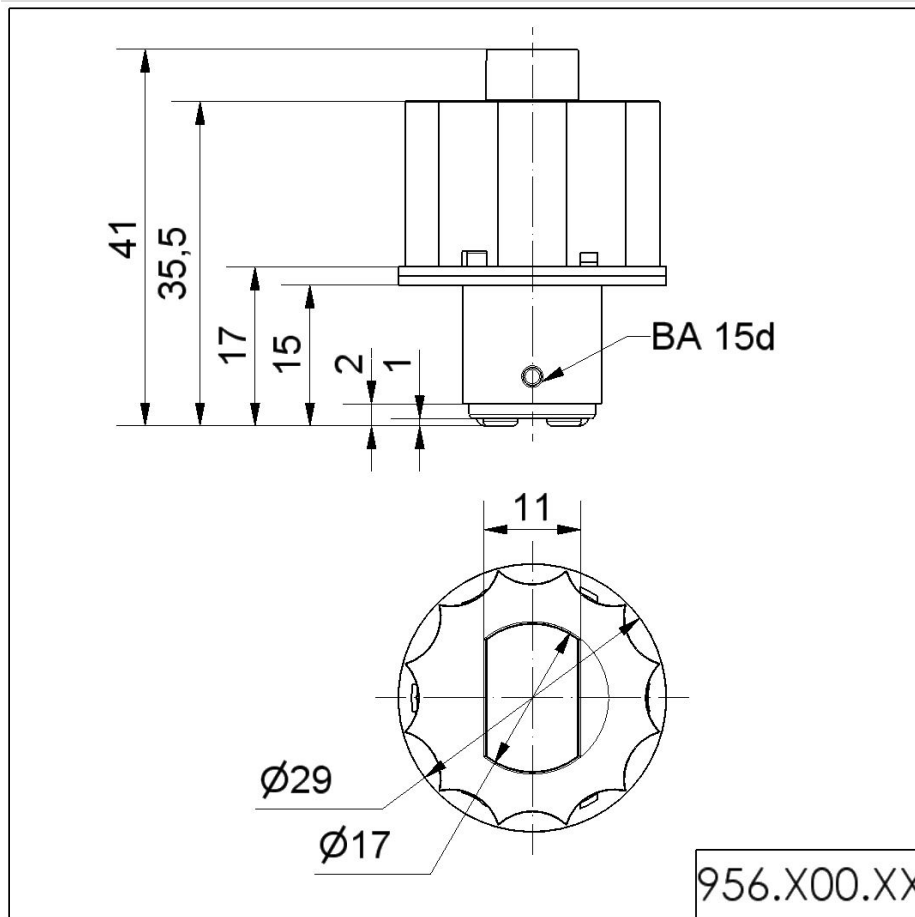
WEEE	yes
Conforms with RED directive	No
Conform with ATEX-directive	no
Conforms with CCC	no
Conforms with FCC	no
Conforms with IC	No
EAC Zertifikat vorhanden	no
Conforms with AS-I	no
ICAO Certification	No
Conforms with GL	no
Conforms with RoHS CN	no



For additional installation and mounting information, refer to the appropriate user guide at www.werma.com. This printed copy is for information only and is subject to alteration.

KombiSIGN 50 / LED Bulb
LED Bulb 24VAC/DC RD

DRAWING



For additional installation and mounting information, refer to the appropriate user guide at www.werma.com. This printed copy is for information only and is subject to alteration.