

# Vent-Axia®

## Instruction for Fitting Volt Free Input Switch PCB accessory 472697

Read this in conjunction with the "Installation and commissioning" document supplied with your unit.



### WARNING

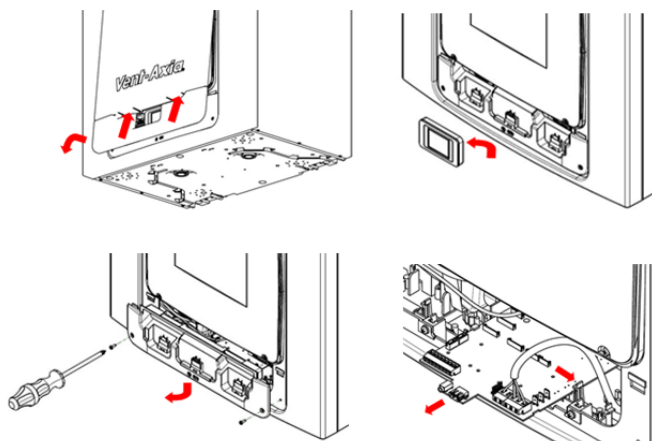
THE FAN AND ANCILLARY CONTROL EQUIPMENT MUST BE ISOLATED FROM THE POWER SUPPLY DURING ANY MAINTENANCE AND WHEN FITTING THIS CONTROL MODULE.

### Description.

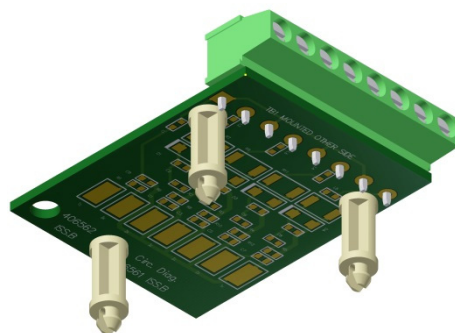
The volt free Input Switch accessory board has four inputs for volt free contacts, allowing up to four independent switched inputs to be used.

### Installation.

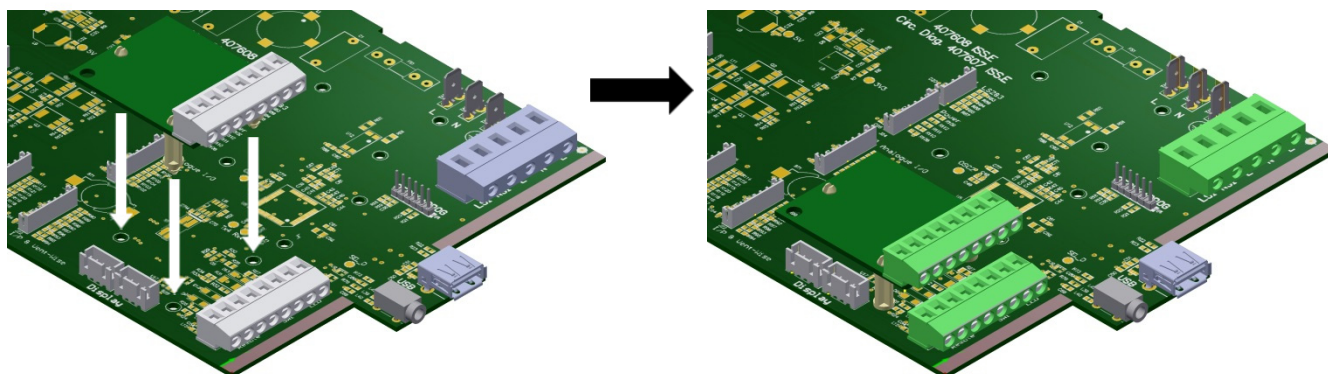
1. Access the main printed circuit board following the electrical installation instruction in the "Installation & Commissioning" document supplied with your unit, or download from <http://www.vent-axia.com/range/sentinel-kinetic-advance.html>



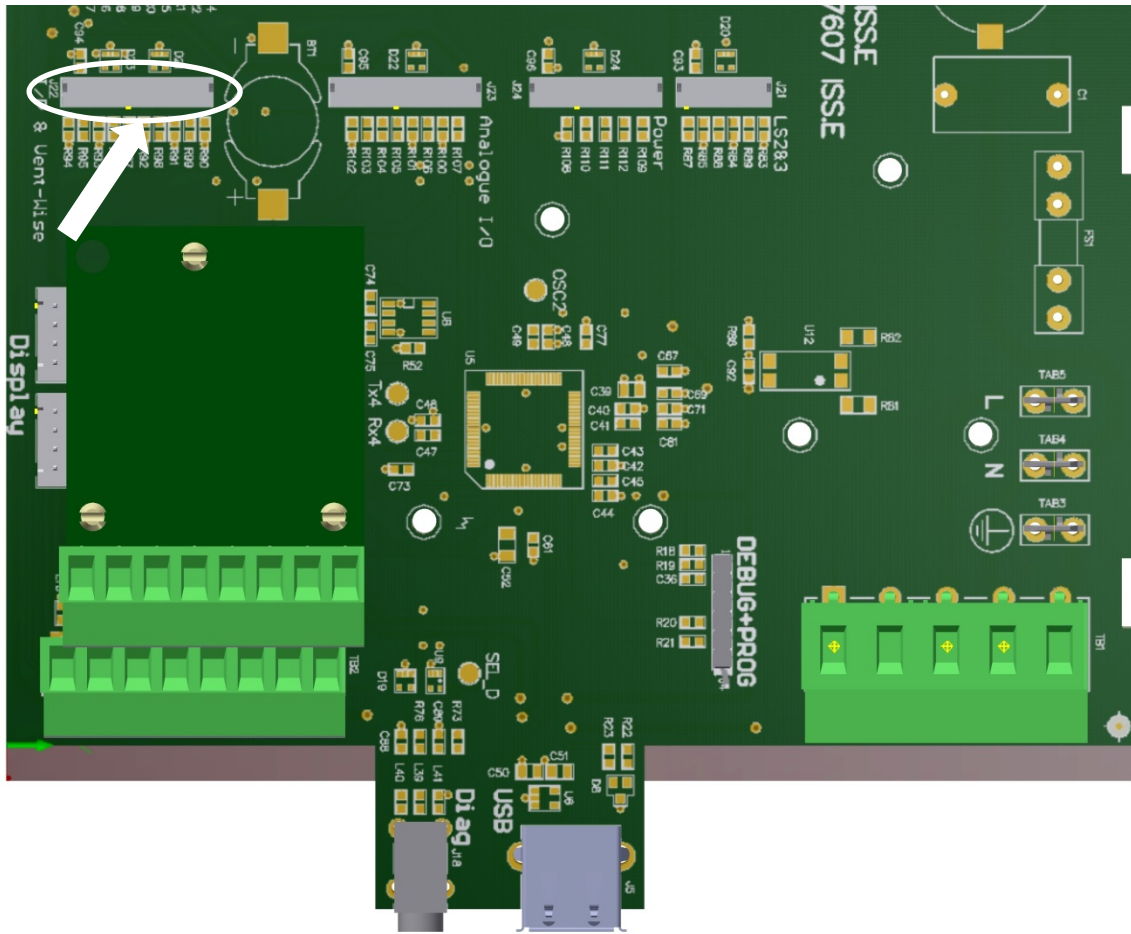
2. Fit the three plastic stand-offs provided, into the three holes in the Input Switch PCB.



3. Fit the Input switch PCB to the main PCB in position shown.



4. Connect the lead from Input Switch PCB into the socket on the left hand side of the pcb marked “I/P & VentWise”.



5. For cable routing from the switches into the unit, refer to the electrical installation instruction in the “Installation & Commissioning” document supplied with your unit.
6. Connect the lead from each switch into the terminal block, one wire in the + and the other in the -.
7. Before fitting the covers to the Kinetic Advance, note which terminals have been used.
8. Replace the covers on the Kinetic Advance and turn it on.
9. Activate each switch input in turn to ensure functionality.
10. To adjust the speed for each input refer to the Kinetic Advance “Installation & Commissioning” document supplied with your unit and go to the commissioning menu and follow the steps to change speeds.

**Vent-Axia**

UK NATIONAL CALL CENTRE, Newton Road, Crawley, West Sussex, RH10 9YX

TECHNICAL SUPPORT Tel: 0844 8560594 Fax: 01293 532814

For details of the warranty and returns procedure please refer to [www.vent-axia](http://www.vent-axia) or write to Vent-Axia Ltd, Fleming Way, Crawley