

Vent-Axia®

Instructions for Connecting and mounting Wired Controller Docking Kit 474491

Read this in conjunction with the "Installation and commissioning" document supplied with your unit.



WARNING

THE FAN AND ANCILLARY CONTROL EQUIPMENT MUST BE ISOLATED FROM THE POWER SUPPLY DURING ANY MAINTENANCE AND WHEN FITTING THIS CONTROL MODULE.

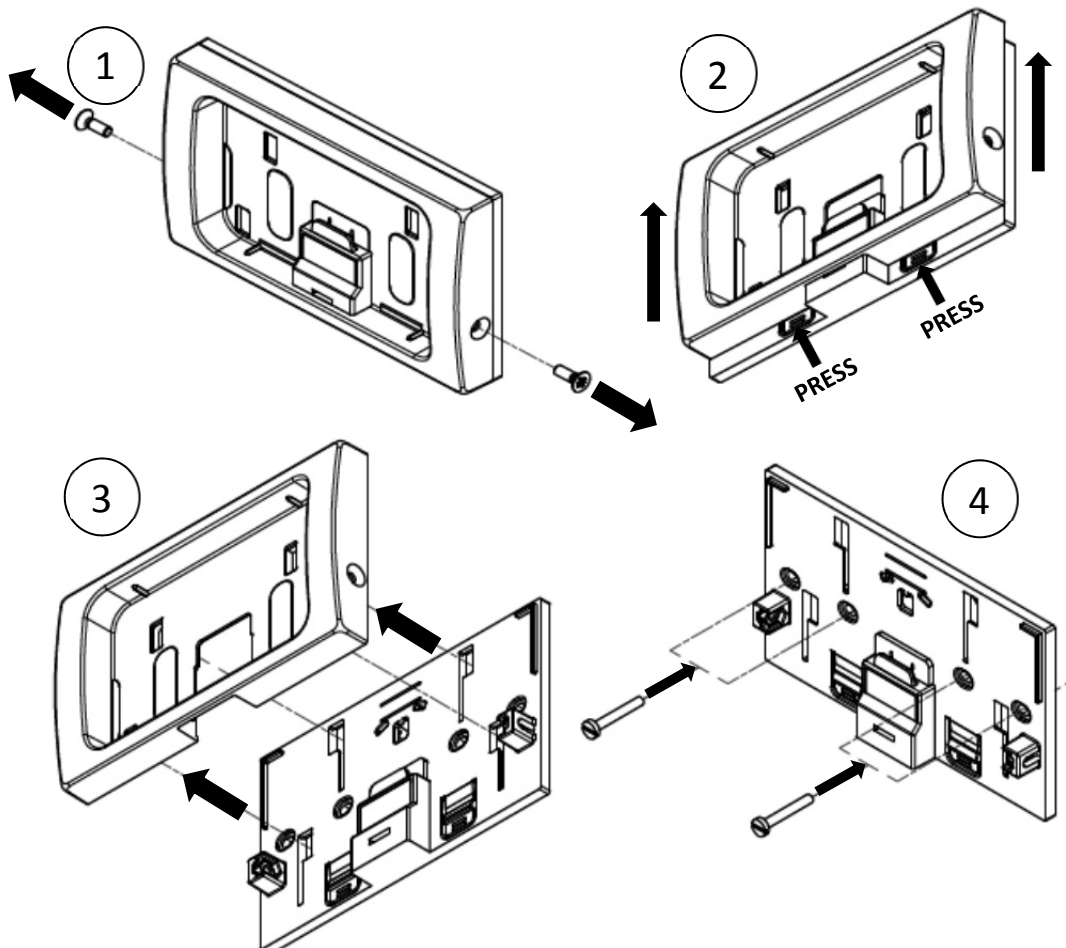
Description.

The Wired Controller Docking Kit is designed so that the Control Module on the Kinetic Advance can be mounted remotely from the Kinetic Advance unit. The Docking module is designed to fit a single or double gang flush mounting back box with a min. depth of 25mm.

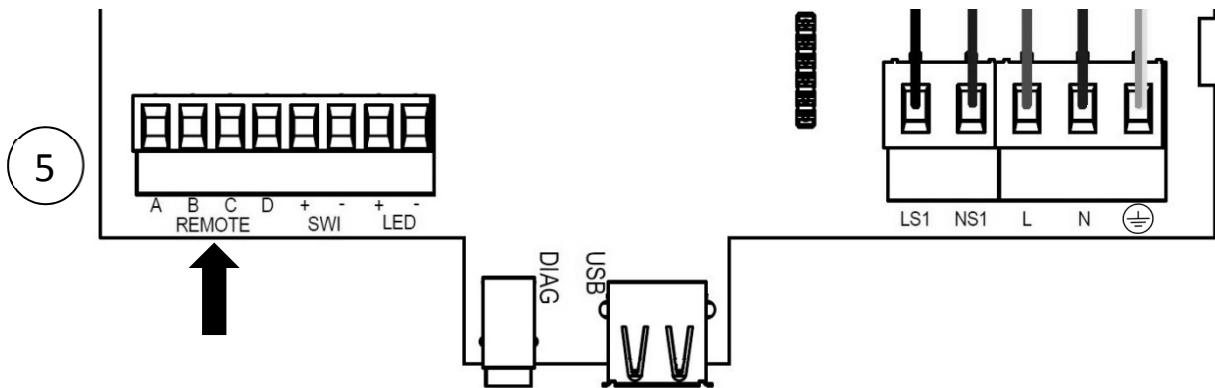
The Kit contains the 1 x Docking module, 1 x 15m connection cable, 1 x blank cover and mounting screws.

Installation.

1. Access the main printed circuit board following the electrical installation instruction in the "Installation & Commissioning" document supplied with your unit, or download the instructions from <http://www.vent-axia.com/range/sentinel-kinetic-advance.html>
2. Site the Docking module at a height of 1.5m from the floor and within the distance of a 15m cable run from the kinetic Advance unit. Do not extend the cable provided.
3. Fit the Connection cable provided into the back box, feed the cable through to the Kinetic Advance with the plug in terminal connector end at the back box. Avoid routing cable alongside mains power cable.
4. To fit the Docking module to the back box, first remove the two screws, one either side.(1) Slide up the front fascia then press the two tabs at the bottom.(2) This will release the 2 clips that are retaining the front fascia. You can now slide up the fascia as far as it will go and lift it off the back section.(3) Fit the cable connector to the socket on the back section. Fit the back section to the back box by using two screws supplied with the back box.(4) Refit front fascia in reverse order of its removal.

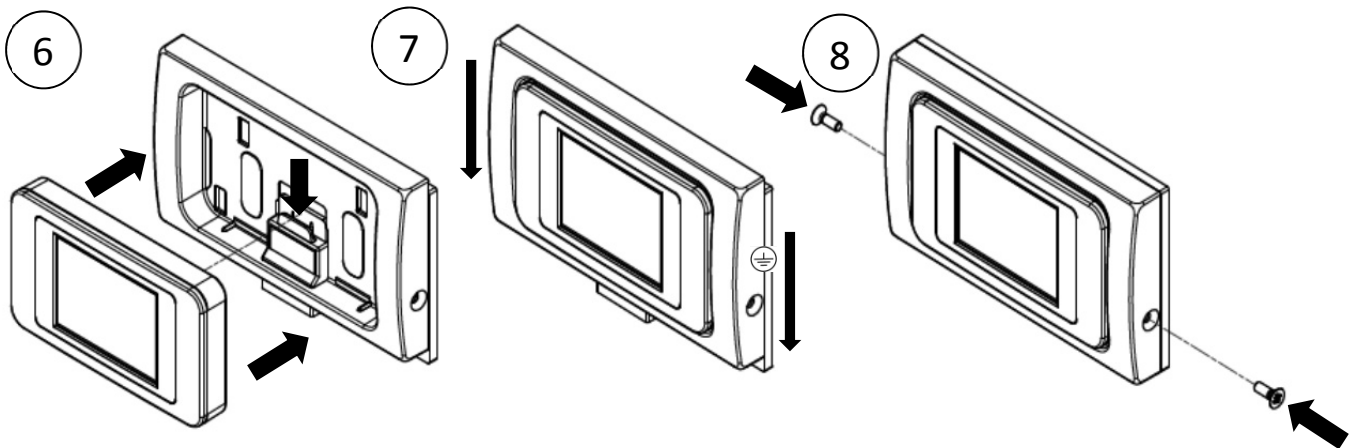


- For routing the cable from the Docking module into the Kinetic Advance, reference the electrical installation instruction in the "Installation & Commissioning" document supplied with your unit. The cable should be routed in on the left hand side of unit.
- The cable is connected to the terminal block TB2 EXTERNAL REMOTE/LED/SW1 at A, B, C and D terminals. The cable has one of two wire colour codes and should be connected in the order shown in the table below. (5)



Terminal ref - A	Black	Black
Terminal ref - B	White	Orange
Terminal ref - C	Green	Brown
Terminal ref - D	Red	Red

- To remove the display controller from the unit push up the units front panel. This will give you access to the controller. Remove the controller and replace it with the blanking cover provided.
- Refit the front panel on the Kinetic Advance.
- To fit the display controller to the docking module first ensure that the two side screws are removed. Push the front fascia up until it stops. Insert the display controller module into the docking module.(6) Push down the front fascia to engage the display controller module with the contacts.(7) Refit both side screws (8)
- Turn on the Kinetic Advance and check that the controller works.**



Vent-Axia®

UK NATIONAL CALL CENTRE, Newton Road, Crawley, West Sussex, RH10 9YX
 TECHNICAL SUPPORT Tel: 0844 8560594 Fax: 01293 532814

For details of the warranty and returns procedure please refer to www.vent-axia.com
 or write to Vent-Axia Ltd, Fleming Way, Crawley,