

# Vent-Axia ThermoSwitch

## Fitting and Wiring Instructions

### IMPORTANT

#### FOR SAFETY YOUR ATTENTION IS DRAWN TO THE I.E.E. REGULATIONS

The 'ThermoSwitch' must be sited and connected in accordance with the current I.E.E. regulations (U.K.) or the appropriate standards in your country.

This appliance is not suitable for installation in a shower cubical or enclosure and must be sited away from any source of water spray.

Site away from any direct sources of heat in excess of 50°C.

Wiring should be via a switched spur with a 3 Amp fuse (U.K.).

### SITING

1. The 'ThermoSwitch' should be located on an unobstructed section of a wall, preferably at a height of 1.5 metres, in a position that will be unaffected by draughts, localised heating such as radiators and solar heat gain.
2. The 'ThermoSwitch' must NOT be located in a room containing a fixed bath or shower.
3. When used in conjunction with a ventilating fan in a room containing a fuel-burning appliance, the installer must ensure that air replacement is adequate for both the fan and fuel-burning appliance.

### Fitting

1. Position the knob to 20°C and pull it off the shaft.
2. Using a fine screwdriver, depress the tab 'L' (fig 1) and remove the cover.
3. Fix the base either,
  - i) Directly to the wall using the three holes (A) (fig 2) with screws  $\phi 3$  max.
  - ii) To a flush box using the two slotted holes (B) (fig 2).
4. Make electrical connections see 'wiring' below.
5. If required to limit the temperature range or to lock the setting, insert the pins attached to front cover at the points shown (fig.3). Marks BB & BH correspond to the value of 18°C and can be used as follows:
  - ii) For a temperature range above 18°C, insert a pin at 'BB'.
  - iii) For a temperature range below 18°C, insert a pin at 'BH'.
  - iv) To lock the knob at 18°C insert pins at 'BB' and 'BH'.
6. Replace the cover and clip into place.
7. Replace the knob by aligning the flats on the shaft and knob and pushing down gently.
8. Set the chosen temperature by aligning with the index mark.

### WIRING

#### WARNING-THIS APPLIANCE IS DOUBLE INSULATED AND MUST NOT BE EARTHED.

Ensure mains supply is isolated before proceeding with the wiring. The installation must be provided with a double pole isolating switch having a contact separation of not less than 3mm.

Where surface wiring is used, provision is made for the cable to be restrained using a wire tie, (fig 2a).

- i) Connect the LIVE supply to terminal 1.
- ii) If the fan is required to switch ON with temperature rise connect terminal 2 to the L input of the fan.
- iii) If the fan is required to switch OFF with temperature rise connect terminal 3 to the L input of the fan.

*As part of the policy of continuous product improvement Vent-Axia reserve the right to alter the specifications without notice.*

**VENT-AXIA LTD., CRAWLEY, WEST SUSSEX, ENGLAND.**

455756 B

1006

FIG. 1.

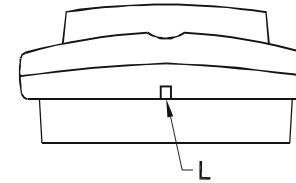


FIG. 2.

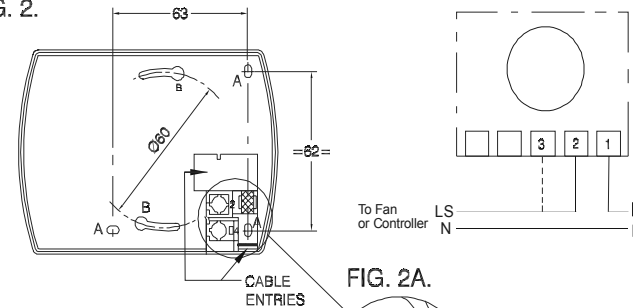


FIG. 2A.

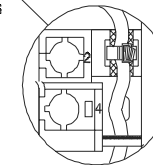


FIG. 3.

