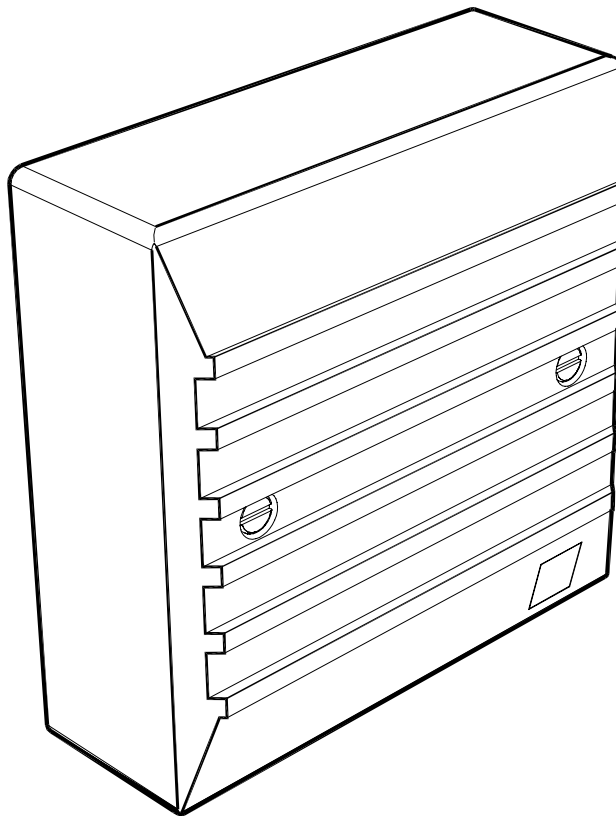


Vent-Axia[®]

TIMESPAN MAINS 240V Variable Time Delay Switch

Fitting & Wiring Instructions
Suitable for use with a single Vent-Axia fan up to 250W



Stock Ref:- 56 35 19

*READ INSTRUCTIONS IN CONJUNCTION WITH ILLUSTRATIONS
READ AND SAVE THESE INSTRUCTIONS*



VENT-AXIA TIMESPAN MAINS 240V FITTING AND WIRING INSTRUCTIONS

PLEASE READ ALL INSTRUCTIONS CAREFULLY BEFORE INSTALLATION

OPERATION

The Timespan is a variable time delay switch. When a switched live signal is applied to the Ls terminal an internal relay is energized and the connected fan is switched on. The Ls signal can be from a remote switch (Eg. a room light switch). When the Ls signal is removed the fan continues to run for the overrun time period, which is adjustable. The controller neon is lit when the relay is energized and the fan is running.

The timer overrun period is reset if the Ls signal is re-applied during the overrun period and if mains power is disconnected.

SITING

The Timespan must not be installed in a shower cubicle or enclosure. It must be sited away from direct sources of water spray and out of reach of a person using a fixed bath or shower.

Ambient temperature range: 0 to 40°C. Site away from direct sources of heat. Do not site above a radiator or other heat source.

FITTING

The Timespan is designed to fit any UK single mounting box with a minimum depth of 20mm. Fixing centres 60.3mm. A surface mounting box is available (Vent-Axia Ref. 410020).

WIRING

WARNING: For your safety please ensure that the mains supply is isolated before making electrical connections. The Timespan MUST be connected to a 220-240V 50Hz AC single phase mains supply. The Ls signal MUST be on the same phase as the Timespan mains supply.

WARNING: The Timespan MUST NOT be earthed. It is Class II double insulated. However, if the Timespan is mounted on a metal outlet box the outlet box should be earthed. If the fan requires an earth connection then earth continuity must be provided.

All electrical connections should be made by a properly qualified electrician. The siting and installation MUST comply with the current I.E.E. Regulations (BS7671 UK) or the appropriate standards in your country.

DO NOT connect more than one fan to the Timespan. The maximum load is 250W (Inductive or Resistive).

Wiring should be via a switched spur with a 3A fuse (UK). The installation MUST be provided with a double pole isolator switch with a contact separation of at least 3mm. The switch should be located outside the room if it contains a fixed bath or shower, or in accordance with mandatory wiring and safety regulations. For ease of fan maintenance and cleaning a three pole isolator switch may be used to locally isolate Live, Neutral and the Ls signal. Vent-Axia have a suitable two or three pole fan isolator switch Ref. 563518.

When using surface wiring that is not contained in conduit, the cables must be securely clipped to the mounting surface, close to the controller.

Electrical connections depend on the model of fan and the required mode of operation, see the fan leaflet for connection details. Figure 1 shows an example of wiring connections, using a 3 pole isolator switch.

Note: Timespan does not need a lamp connected in the Ls circuit. If a lamp is used please note that for reliable operation we recommend a tungsten filament lamp. The manufacturers of some fluorescent and low energy lighting systems indicate that these can interfere with electronic timer circuits.

Double check the wiring making sure all connections are secure. Fit the Timespan to the mounting box with the two screws provided. Do not over-tighten the screws. Do not trap any wires when fitting the two pieces together.

Switch the mains supply on and check operation.

TIMER OVERRUN ADJUSTMENT

BEFORE ADJUSTING THE CONTROLLER, SWITCH OFF THE MAINS SUPPLY.

Unscrew the screws holding the Timespan to the mounting box whilst supporting the Timespan and wiring. Tilt it to expose the adjuster shaft which has 'mins' marked nearby on the label.

The Timespan is factory set for a timer overrun period of about 20 minutes.

TO DECREASE the timer overrun period turn the adjuster shaft **CLOCKWISE**.

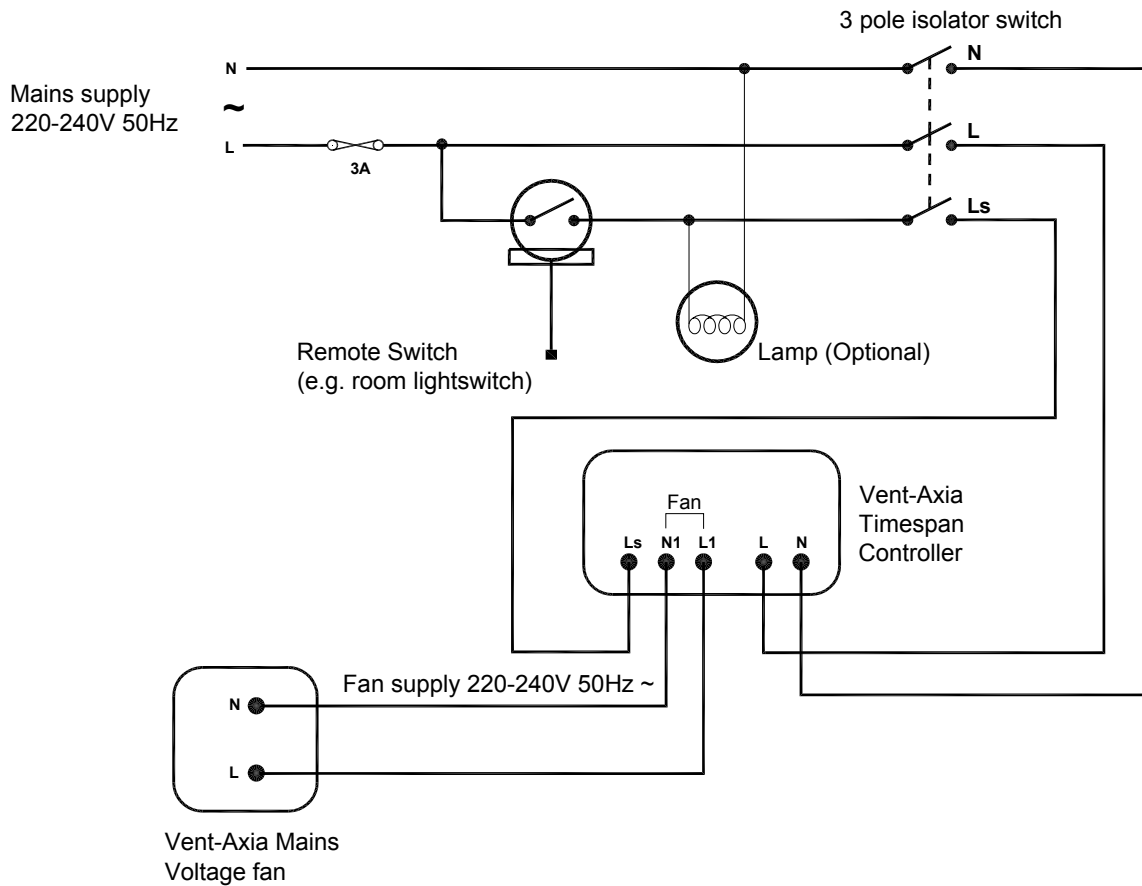
TO INCREASE the timer overrun period turn the adjuster shaft **ANTI-CLOCKWISE**.

Check all the connections and carefully refit the Timespan. Switch the mains supply back ON and check operation.

All regulations and requirements MUST be strictly followed to prevent hazards to life and property both during and after installation, and during any subsequent servicing and maintenance.

Fig.1. EXAMPLE WIRING CONNECTIONS.

Fan on when Ls terminal live, and then during timer overrun period, off otherwise.



TIMESPAN TERMINAL CONNECTIONS

N Neutral mains supply

L Live mains supply

L1 Live mains output (switched)

N1 Neutral mains output (unswitched)

Ls Switched live input signal

**VENT-AXIA CONTACT NUMBERS
UK NATIONAL SALES CENTRE**

Domestic & Commercial

Tele: 01293 530202
Fax: 01293 565169

Industrial

Tele: 01293 441570
Fax: 01293 534898

REPUBLIC OF IRELAND

Vent-Axia Ventilation Ltd.

Tele: (01) 450 4133 Fax: (01) 450 4570

UK NATIONAL TECHNICAL SUPPORT

Domestic & Commercial

Tele: 01293 526062
Fax: 01293 551188

Industrial

Tele: 01293 455196
Fax: 01293 455197

Internet site at: www.vent-axia.com

Email: info@vent-axia.com

The Vent-Axia Guarantee

Applicable only to products installed and used in the United Kingdom. For details of the Guarantee outside of the United Kingdom contact your local supplier.

Vent-Axia guarantees this product for two years from the date of purchase against faulty material or workmanship. In the event of any part being found to be defective, the product will be repaired, or at the Company's discretion the product will be replaced without charge, provided that the product:

- 1). Has been installed and used in accordance with the instruction given with each unit.
- 2). The electricity supply complies with the rating label.
- 3). Has not been misused, neglected or damaged.
- 4). Has not been modified or repaired by any person not authorized to do so by Vent-Axia.

IF CLAIMING UNDER THE TERMS OF THE GUARANTEE

Please return the complete product, carriage paid to your original supplier by post or in person. Please ensure that it is adequately packed and accompanied by a letter clearly marked 'Guarantee Claim' stating the nature of the fault and providing proof of the date and source of purchase.

As part of the policy of continuous product improvement
Vent-Axia reserve the right to alter specifications without notice

Vent-Axia[®]