

Optimax® Plus

Panel Heater



Features & Benefits

- Integral adjustable thermostat
- Optional integral timer model
- Frost protection setting of 5 °C
- BEAB approved
- Unique quick fix wall bracket
- Colour RAL 9001
- Ideal complement to storage heaters
- Brackets for panel included

Comfort Heating

Our Optimax Plus Panel Heaters are perfect for smaller rooms such as bedrooms, studies, conservatories and loft conversions.

Vent-Axia's Panel Heaters offer a wide range of heat outputs from 750W to 2000W and every model is available with or without a timer. Vent-Axia Panel Heaters look as good as they perform. Stylish and slim, they occupy minimal wall space and are finished in an attractive white finish.

Vent-Axia Panel Heaters are wall mounted and connected to the permanent electrical supply via a fused connection switched outlet. Vent-Axia Panel Heaters are supplied with mounting brackets and one metre of cable connected to the bottom right hand side of the unit.

Adjustable Thermostat

All Vent-Axia Panel Heaters have a built-in adjustable thermostat offering a full temperature range, including a frost protection setting of 5 °C.

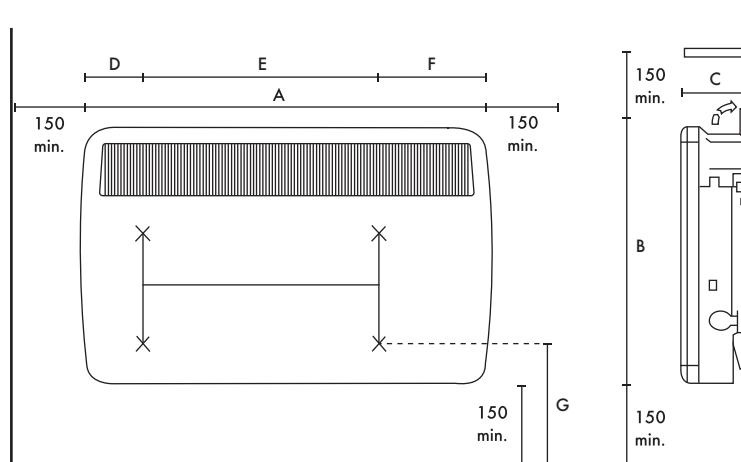
For maximum safety there is a thermal cut-out on all models to prevent overheating, should the outlet grille be accidentally covered.

Models

Manual and Timer versions available.

Model	Stock Ref
VAPH 075	439034
VAPH 075T	439038
VAPH 125	439035
VAPH 125T	439039
VAPH 150	439036
VAPH 150T	439040
VAPH 200	439037
VAPH 200T	439041

Dimensions (mm)



Specification

Stock Ref	Model	Output kW	Dimensions mm							Weight kg
			A	B	C	D	E	F	G	
439034 / 439038	VAPH 075/T	0.75	620	430	108	118	288	214	255	6.2
439035 / 439039	VAPH 125/T	1.25	690	430	108	118	358	214	255	6.6
439036 / 439040	VAPH 150/T	1.5	690	430	108	118	358	214	255	6.6
439037 / 439041	VAPH 200/T	2	860	430	108	118	528	214	255	8.0

220-240V-50Hz. BEAB Approved.