

Acoustic Fans

Twin
In-line Duct Fan Range (QPTW)

Installation and Wiring Instructions



Stock Ref. N°

QPTW100C
QPTW125C
QPTW150C
QPTW160C

Vent-Axia

**PLEASE READ ALL INSTRUCTIONS CAREFULLY BEFORE STARTING
INSTALLATION. INSTALLATION AND WIRING INSTRUCTIONS SHOULD
BE LEFT WITH END USER.**

CE

READ AND SAVE THESE INSTRUCTIONS

PLEASE READ ALL INSTRUCTIONS CAREFULLY BEFORE STARTING INSTALLATION. INSTALLATION AND WIRING INSTRUCTIONS SHOULD BE LEFT WITH END USER.

Air moving equipment may present mechanical, electrical or noise hazards. To minimize risks associated with these potential hazards, it is essential that safety, installation, operation and maintenance instructions are followed. Implementation of these instructions should always be undertaken by technically competent personnel.

Potential mechanical hazards must be eliminated by guarding against access to the rotating parts whilst the air moving equipment is operating. A range of guards are available for this purpose from Vent-Axia.

Installation work, both mechanical and electrical, must be undertaken in accordance with the safety and installation instructions before switching on the unit.

Maintenance work should not be attempted before first switching off and isolating the fan and its control from the electrical supply and ensuring that it cannot be accidentally turned back on again. It is essential to ensure that rotating parts have come completely to rest before maintenance work commences.

Air moving equipment may generate unacceptable noise levels when in operation. It may be necessary to take appropriate action to reduce sound levels. A range of products are available for this purpose from Vent-Axia.

This appliance is not intended for use by persons (including children) with reduced physical, sensory or mental capabilities or lack of experience and knowledge unless they have been given supervision or instruction concerning use of this appliance by a person responsible for their safety.

Young children should be supervised to ensure that they do not play with the appliance.

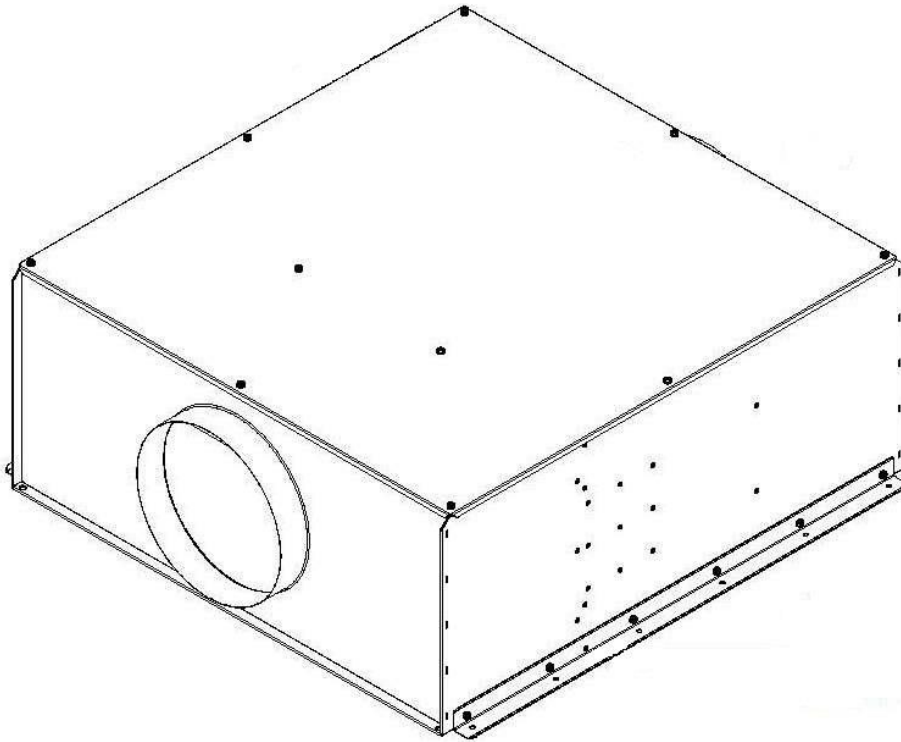
IMPORTANT

1. All electrical connections should be made by a properly qualified electrician. The fan must be sited and connected in accordance with current I.E.E Wiring Regulations, BS7671 (U.K.), or the appropriate standards in your country.
2. DO NOT use this appliance when the following are generated or present: Excessive grease or oil laden air, corrosive or flammable atmospheres.
3. When the fan is installed in a room containing a fuel burning appliance, the installer must ensure that the air replacement is adequate for both the fan and the fuel burning appliance.
4. If a fan is used to supply air into a room, the installer must ensure that the fan intake is located at least 600mm away from any flue outlet.
5. Site away from direct sources of heat. Ambient temperature range: *-100C to +400C*.
6. When installing unit, take care not to damage electrical or other hidden utilities.
7. Check the details on the rating label for correct voltage, frequency, speed, phase insulation class and IP rating.
8. It is the responsibility of the installer to ensure that all aspects of system design are taken into consideration.
9. Due to the weight of units it is recommended that two people are involved in the installation.

FAN MOUNTING

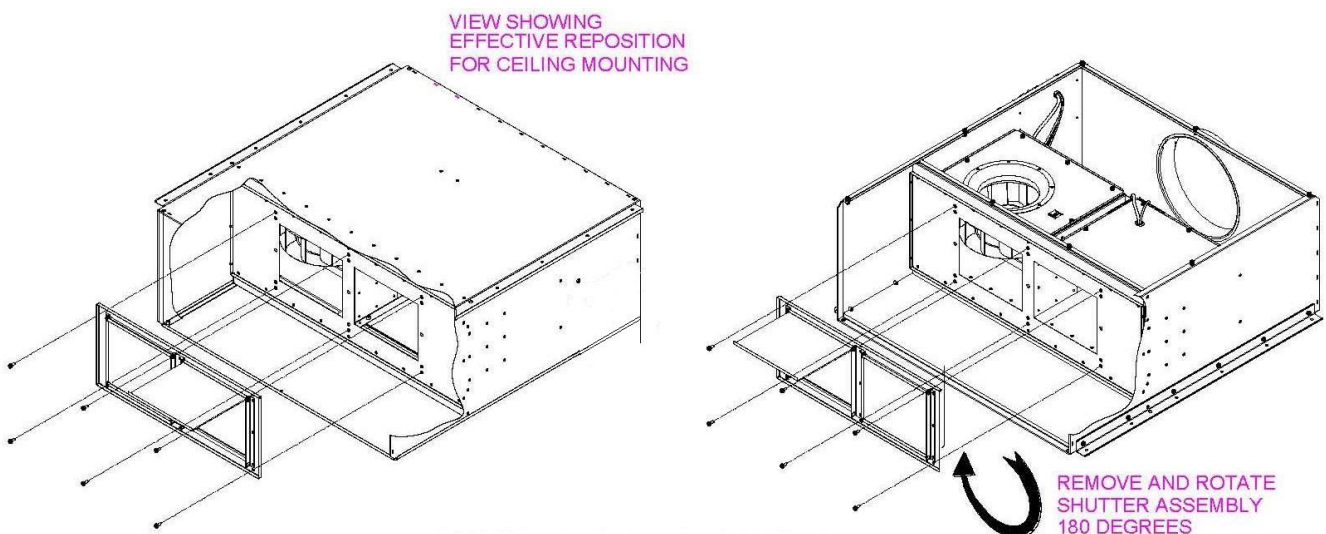
1. Short duct runs terminating close to the fan (i.e. within 1.5m) require suitable guards.
2. All QPTW units MUST be installed in a horizontal position.
3. Plan the installation carefully, taking into consideration the safety points noted above, before securely fixing the fan using appropriate screws, bolts, rubber bushes, etc.
4. A range of accessories is available from Vent-Axia to assist installation including flexible connectors, mounting feet, anti-vibration mounts and attenuators.
5. For horizontal installations parallel fixing brackets are provided for both sides of the unit (**Pic. 1**), and extra fixing holes are provided for additional hanger rods.

Pic. 1: Support bracket used on the QPTW unit.



6. All twin units have a pair of exit airflow gravity shutters fitted which must be orientated correctly to match the floor or ceiling mounting chosen for the installation. As supplied from the factory, the gravity shutters are correctly fitted for floor mounting the unit. If the unit is to be ceiling mounted, the shutter assembly must be repositioned as **Pic. 2**. To do this, remove the top cover to gain access to the outlet plenum area. Remove the 6 x M6 screws holding the shutter assembly in place then detach the assembly and rotate through 180 degrees. Then refit the assembly using the 6 x M6 screws ensuring that the foam sealing strips remain fitted correctly.

Pic. 2: Repositioning of shutter assembly.



GENERAL WIRING INSTRUCTIONS

WARNING – THE FAN AND ANY ANCILLARY CONTROL EQUIPMENT MUST BE ISOLATED FROM THE POWER SUPPLY DURING INSTALLATION AND/OR MAINTENANCE. THE EQUIPMENT MUST BE EARTHED.

1. All electrical connections should be made by a properly qualified electrician.
2. All wiring and connections must be carried out in accordance with current regulations.
3. To comply with safety standards, an all pole isolator switch with a contact gap of at least 3mm must be fitted adjacent to the fan.
4. Remove the lid of the QPTW to expose the supply connection terminal blocks adjacent to the grommets in the wall of the QPTW.
5. The thermal protection device fitted is an automatic resetting type which must always be included in the circuit. For ducted applications a manual reset is required, an ancillary circuit will be required with the TK switch connected into the circuit. See page 6 for instructions.
6. Connect the power supply from the local isolator (via any appropriate controls if fitted) to the terminal blocks via the supplied cable gland using between 4.0mm and 7.0mm diameter cable. Refer to the wiring diagrams and select the appropriate connections for the fan, controller or other devices as being installed. If in doubt please ask.
7. **CAUTION:** In order to avoid a hazard due to inadvertent resetting of the thermal cut-out, this appliance must not be supplied through an external switching device, such as a timer, or connected to a circuit that is regularly switched on and off by the utility.
8. Ensure that all earth connections have been made.
9. After making connections to the terminal blocks, replace QPTW lid. Also ensure that all cable gland nuts, grommets etc. have been used correctly to prevent the ingress of water.

NOTES ON RUNNING

Before Connecting the power supply and running the Fan Check...

Are all links and wiring complete as per wiring diagram?

Are all fixings secured?

Are all relevant guards fitted?

Are all Circuit protection devices fitted?

Are all Terminal box covers and sealing glands secured?

Are all Earth connections secured?

Check that no hazard exists for persons in the locality of the fan. Switch on the fan and check that the fan rotation is correct as per the direction arrows on the fan plate/casing. If not isolate power supply and check wiring. Check that the current (amps) taken by the fan does not exceed the current shown on the rating plate.

INSTALLER AND ELECTRICAL CONTRACTOR RESPONSIBILITY

Vent-Axia Ltd, as suppliers of the equipment cannot be responsible for the final installation and electrical connection of the product on site. We have made reasonable effort to offer guidance and assistance but the installer and electrical contractor on site have a responsibility for ensuring the equipment is safely and securely installed and electrically/mechanically safe in accordance with statutory requirements.

The fans are supplied as a component to be incorporated into a ventilation system. The final complete system installation that includes the fans **MUST** meet the requirements of:-

Low voltage Directive - 2014/35/EU

Machinery Directive - 2006/42/EC

Electromagnetic Compatibility Directive - 2014/30/EU

If the fan is installed in an area where there is possible danger to safety or health then guards **MUST** be fitted.

Guards suitable for many applications are available from Vent-Axia Ltd. Please remember that fans need maintenance, cleaning and inspection. Allow for reasonable access for these operations to be carried out safely. If in doubt, please ask.

ROUTINE INSPECTION/MAINTENANCE

THIS MUST BE UNDERTAKEN BY A COMPETENT PERSON.

ISOLATE UNIT FROM ELECTRICAL SUPPLY AND ENSURE THAT IT CANNOT BE ACCIDENTALLY TURNED BACK ON.

1. We recommend that after three months the fan should be inspected and cleaned to remove deposits on the impeller or motor. Thereafter, it should be checked and cleaned periodically as experience dictates, or at least twice a year.
2. If a build-up of dirt/deposits is evident then this should be carefully cleaned off. Please take care not to damage the fan or affect the balance of the impeller motor assembly (balance weights may be fitted to the impeller).
3. The fan motors are fitted with 'sealed for life' bearings and should not require maintenance under normal circumstances.

Wiring Diagrams:

Important Notes:-

- For ducted applications the Thermal Protector (TK) must be connected into a control circuit in order to ensure that the fan cannot restart before the fault condition is cleared and the circuit manually reset.
- To comply with the above statement, this product is intended for use with Vent-Axia controls listed below.

Vent-Axia Changeover Panel and Speed Controller stock reference numbers:

Product	Changeover Panel	Changeover Panel with duty share	eDemand Changeover Panel
QPTW100C	10314200	10314210	-
QPTW125C	10314200	10314210	-
QPTW150C	10314200	10314210	-
QPTW160C	10314200	10314210	-
Product	Auto Transformer controller	Auto Transformer controller	eDemand Inverter
QPTW100C	10314103A	-	-
QPTW125C	10314103A	-	-
QPTW150C	10314103A	-	-
QPTW160C	10314103A	-	-

Fig. 1
QPTW100C, QPTW125C, QPTW150C, QPTW160C.
 Connected to a changeover panel

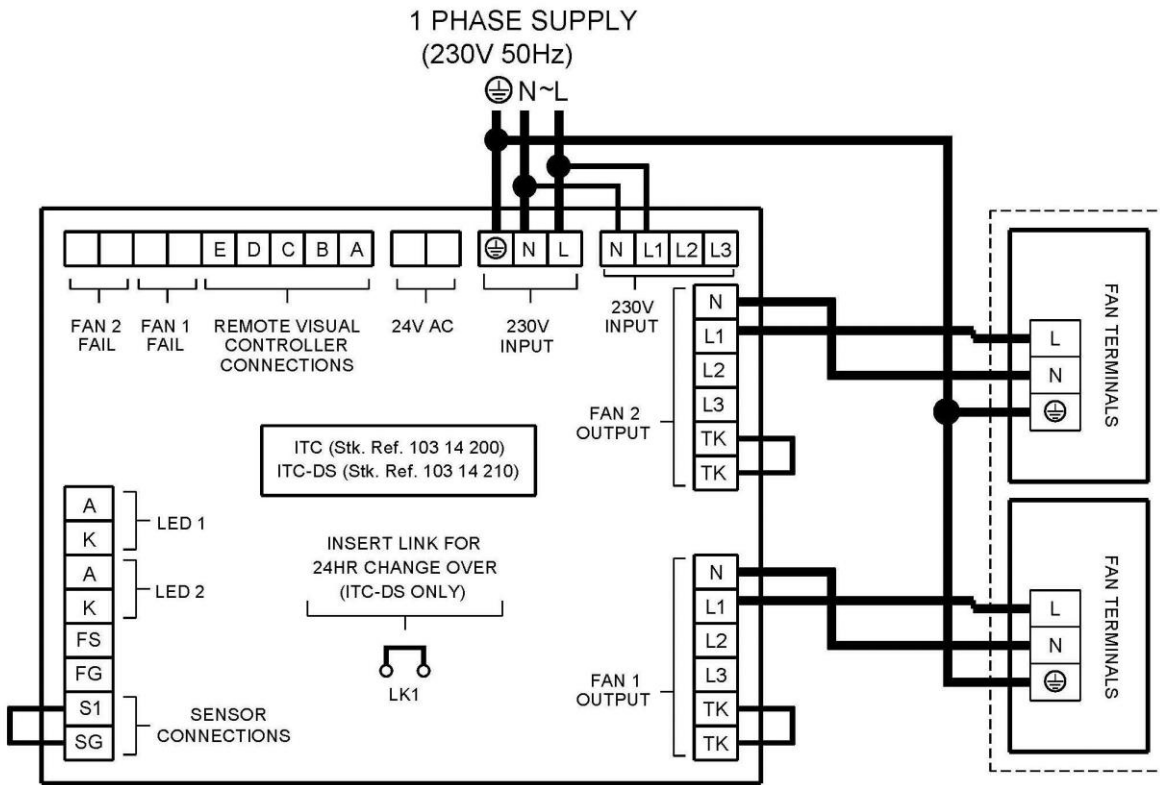
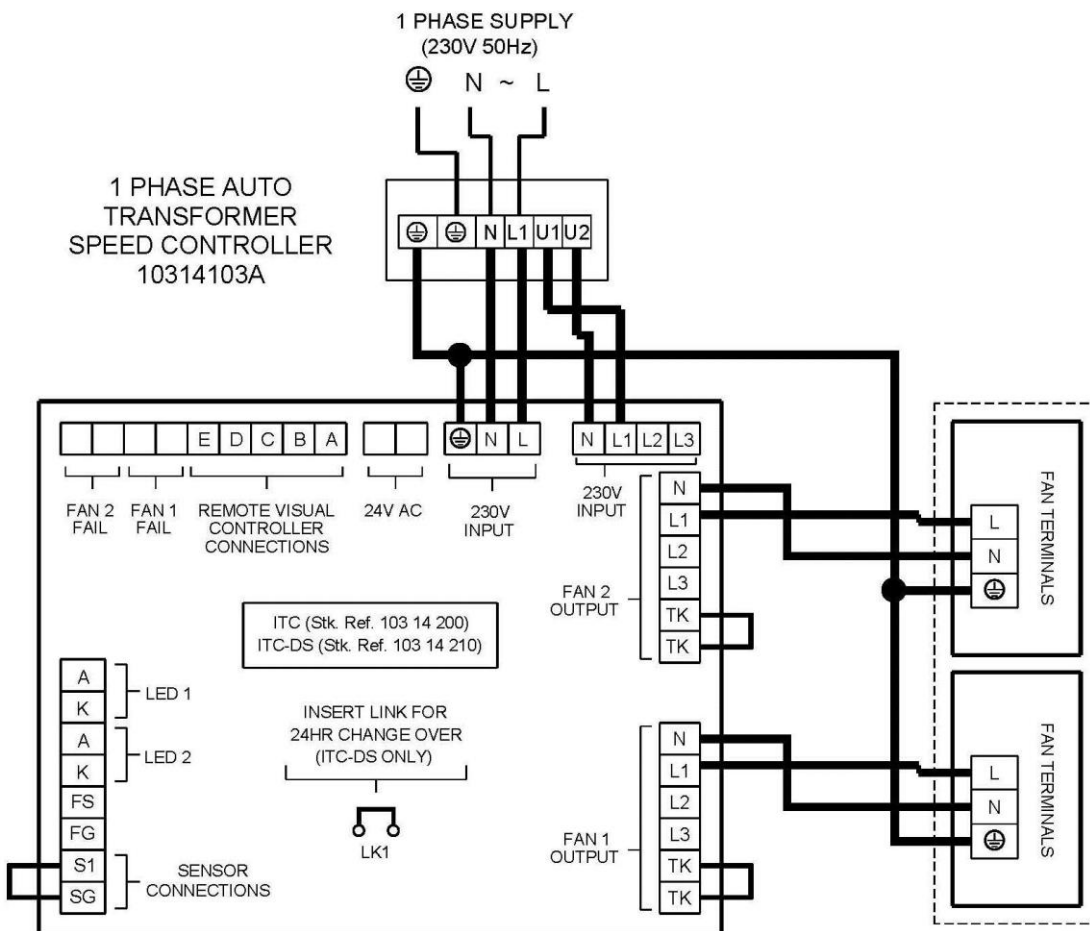


Fig. 2
QPTW100C, QPTW125C, QPTW150C, QPTW160C.
 Connected to a changeover panel and auto transformer controller



Disposal



This product should not be disposed of with household waste. Please recycle where facilities exist. Check with your local authority for recycling advice.

The **Vent-Axia** Guarantee

Applicable only to products installed and used in the United Kingdom. For details of guarantee outside the United Kingdom contact your local supplier.

Vent-Axia guarantees its products for two years from date of purchase against faulty material or workmanship. In the event of any part being found to be defective, the product will be repaired, or at the Company's option replaced, without charge, provided that the product:-

- Has been installed and used in accordance with the instructions given with each unit.
- Has not been connected to an unsuitable electricity supply. (The correct electricity supply voltage is shown on the product rating label attached to the unit).
- Has not been subjected to misuse, neglect or damage.
- Has not been modified or repaired by any person not authorised by the company.

IF CLAIMING UNDER TERMS OF GUARANTEE

Please return the complete product, carriage paid to your original supplier or nearest Vent-Axia Centre, by post or personal visit. Please ensure that it is adequately packed and accompanied by a letter clearly marked "Guarantee Claim" stating the nature of the fault and providing evidence of date and source of purchase.

The guarantee is offered to you as an extra benefit, and does not affect your legal rights.

Vent-Axia[®]

Head Office: Fleming Way, Crawley, West Sussex, RH10 9YX.

UK NATIONAL CALL CENTRE

Newton Road, Crawley, West Sussex, RH10 9JA

SALES ENQUIRIES: Tel: 0344 8560590 Fax: 01293 565169
TECHNICAL SUPPORT: Tel: 0344 8560594 Fax: 01293 539209



For details of the warranty and returns procedure please refer to www.vent-axia.com or write to Vent-Axia Ltd, Fleming Way, Crawley, RH10 9YX