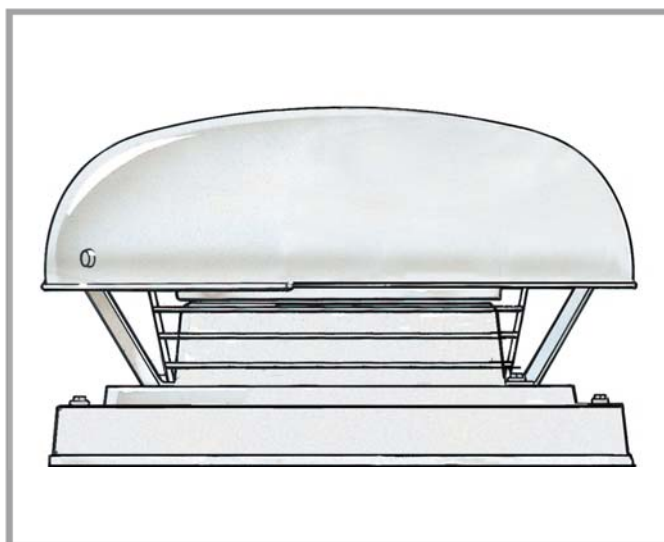


ROOF COWL ASSEMBLY

RCZ

Fitting instructions



Stock Ref. N°

RCZ200	200
RCZ300	315/355
RCZ400	400/450
RCZ500	500/560
RCZ630	630/710

Vent-Axia[®]

ROOF UNITS
from Vent-Axia

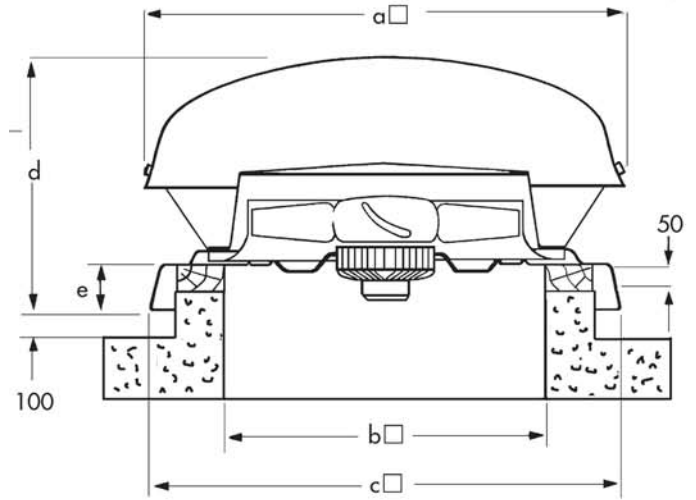
PLEASE READ INSTRUCTIONS IN CONJUNCTION WITH ILLUSTRATIONS.
PLEASE SAVE THESE INSTRUCTIONS.

Roof cowls to suit both VSR & ESR roof fans.

These cowls and roof fans are designed for either kerb or purlin box mounting on a flat or inclined roof. See below for dimensions and method of mounting. If the fan inlet is less than 2.3M high, a suitable guard must be fitted.

Note

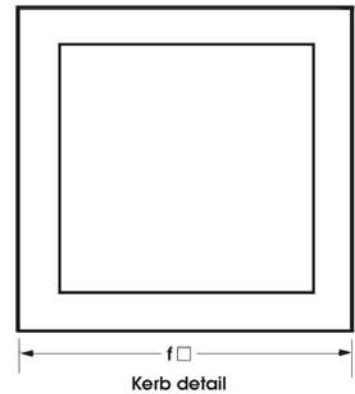
1. Maximum roof pitch angle is 30°
2. Shutters should not be used when the fan is to be operating at below 30% of maximum airflow or with 8 pole fans.
3. If Kerb mounting the fan unit must be secured to a hardwood sill with 4-off 5/16" Dia coach screws. (Not supplied)
4. If you intend on mounting the fan on a purlin box the fan unit must be secured to the purling box with 4-off M10 bolts (not supplied). Also trimmers will need to be fitted between the purlins. (not supplied).



Roof Fan & Kerb mounting Dimensions

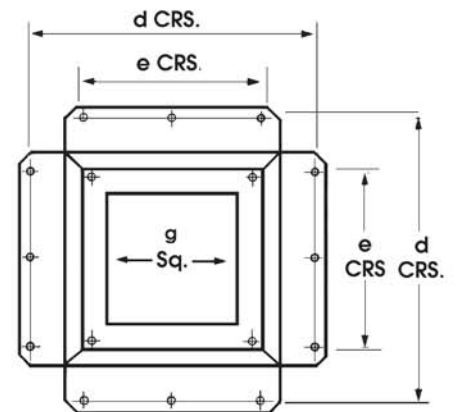
Dia	a	b	c	d	e	f
200	485	325	480	275	80	425
250	700	475	737	411	97	675
315	700	475	737	411	97	675
355	700	475	737	411	97	675
400	800	575	830	466	97	775
450	800	575	830	466	97	775
500	950	715	1000	579	100	915
560	950	715	1000	579	100	915
630	1230	840	1100	731	105	1040
710	1230	840	1100	731	105	1040

Kerb detail



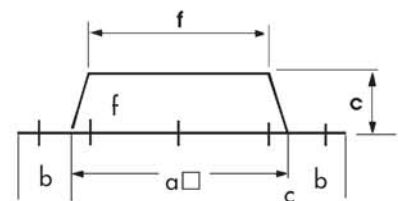
Purlin Box Dimensions

Size	a	b	c	d	e	f	g
200	416	75	240	528	380	400	340
250 / 315 / 355	625	90	240	765	400	590	460
400 / 450	725	90	240	865	500	705	565
500	890	70	250	990	650	864	640
560	890	70	250	990	650	864	700
630	1030	75	250	1140	760	985	775
710	1030	75	250	1140	760	985	840



Purlin box stock ref numbers

- PBZ200** To suit 200 roof fans
- PBZ300** To suit 250,315 & 355 roof fans
- PBZ400** To suit 400 & 450 roof fans
- PBZ500** To suit 500 roof fans
- PBZ560** To suit 560 roof fans
- PBZ630** To suit 630 roof fans
- PBZ710** To suit 710 roof fans



Accessories Available

A range of shutters are available to suit each size roof cowl.

Stock ref numbers are:-

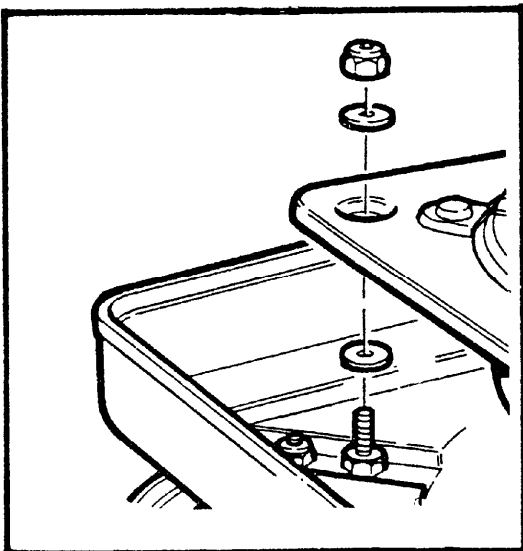
RSZ200	To suit 200 roof fans
RSZ300	To suit 250(with adaptor plate),315 & 355 roof fans.
RSZ400	To suit 400 & 450 roof fans
RSZ500	To suit 500 & 560 roof fans
RSZ630	To suit 630 & 710 roof fans

A range of bird guards are available to suit each size roof cowl.

Stock ref numbers are:-

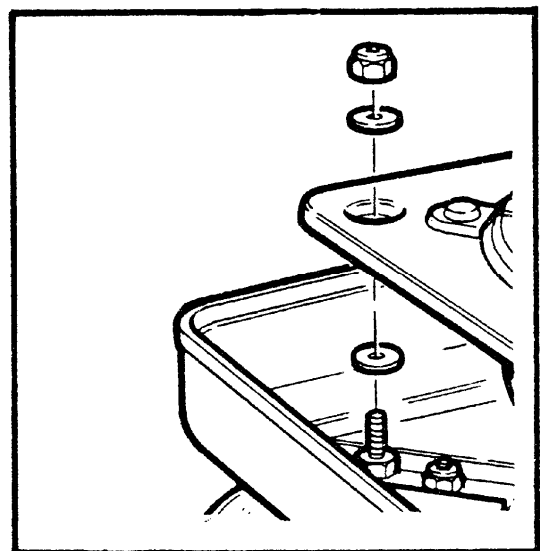
BGZ200	To suit 200 roof fans.
BGZ300	To suit 250(with adaptor plate),315 & 355 roof fans.
BGZ400	To suit 400 & 450 roof fans
BGZ500	To suit 500 & 560 roof fans
BGZ630	To suit 630 & 710 roof fans

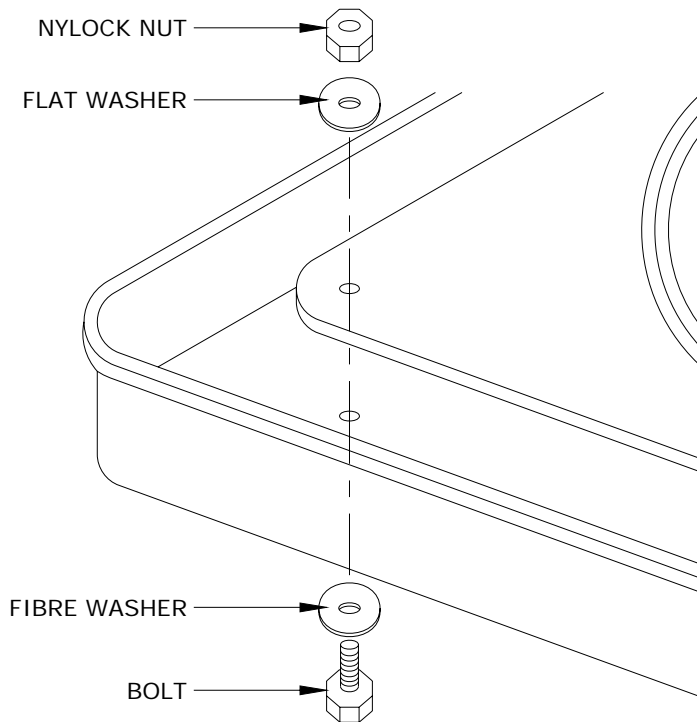
When fitting a 315mm, 400mm, 560mm or 710mm fan the mounting bolts will need to be re-positioned as shown in the diagrams below.



The fan mounting bolts will need to be moved as shown on 315mm & 400mm fans.

The fan mounting bolts will need to be moved as shown on 560mm & 710mm fans.





When fitting a size 200 fan, the fixings in the supplied bolt pack should be used to fit the fan.

Vent-Axia®

Head Office: Fleming Way, Crawley, West Sussex, RH10 9YX. Tel: 01293 526062 Fax: 01293 551188

UK NATIONAL CALL CENTRE, Newton Road, Crawley, West Sussex, RH10 9JA

SALES ENQUIRIES:

Tel: 0844 8560590

Fax: 01293 565169

TECHNICAL SUPPORT:

Tel: 0844 8560593

Fax: 01293 539209

For details of the warranty and returns procedure please refer to www.vent-axia.com or write to Vent-Axia Ltd, Fleming Way, Crawley, RH10 9YX

439887A

0309