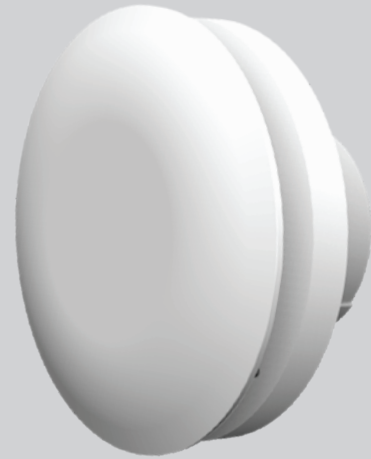


Lo-Carbon NBR Cool Unitary Fan

- Designed and manufactured in the UK
- Unitary solution to help combat overheating in dwellings
- On-demand overheating extraction
- Sound levels complying with Part F building regulations
- Easy to commission with variable speed
- Local room control or automatic temperature sensor
- Passive Supply replacement air kit available when extract totals > 60l/s



Lo-Carbon NBR Cool Unitary Fan

Part O ventilation rates, should not mean nuisance noise levels. The Vent-Axia Lo-Carbon NBR Cool Unitary Fan, in 125mm, provides adequate ventilation whilst minimising noise.

The fan is designed in line with the Approved Document F and O 2021 Building Regulations.

The Lo-Carbon NBR Cool Unitary Fan has been designed to extract heat as and when the occupant needs heat extraction. As standard the Lo-Carbon NBR Cool Unitary Fan is set to run at 20 l/s which is adjustable.

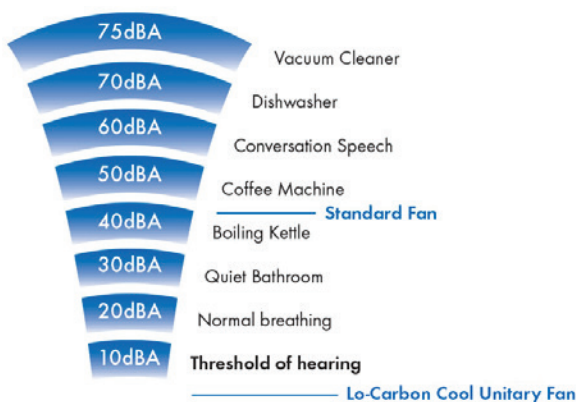
The Lo-Carbon NBR Cool Unitary Fan also comes with the additional option of automatic temperature control, this would be triggered when the sensor reads 24 degrees or above.

A brand new control platform also provides fully adjustable airflow, meaning Part O rates can be achieved easily.

The solution comes complete with backdraught shutter to prevent nuisance draughts in habitable rooms.

Near Silent Operation

The fan has been designed to be as discreet as possible for homeowners, with independently tested sound levels as low as 8.5dB(A).



Model

Lo-Carbon NBR Cool Unitary Fan

For habitable rooms such as bedrooms and living rooms, our new 125mm heat extraction fan is the solution for developers with overheating issues. With a built-in temperature sensor as standard, automation or manual control are both an option.

Variable speed setting.

Model

Lo-Carbon NBR Cool Unitary Fan

Stock Ref

412262

Accessories

Model

Wall Kit White 125mm

Wall Kit Brown 125mm

Wall Kit Terracotta 125mm

NBR Passive Duct Kit

Stock Ref

455226

497434

497432

412261

Consultant Specification

The unitary overheating extract ventilation unit shall be the Lo-Carbon NBR Cool Unitary Fan as manufactured by Vent-Axia, exact unit sizing and specification shall be in accordance with the particular specification.

The Lo-Carbon NBR Cool Unitary Fan has been sized to meet the Part O extraction rates of up to 26 l/s, by default this is set to 20 l/s with manual control but this can be set to trigger at 24deg automatically through the built-in temperature sensor. Supplied with a 5 - year warranty.

The Lo-Carbon NBR Cool Unitary Fan should have variable speed settings of 5-26 l/s achieving a minimum noise level of 8.5dB(A) at 3 metres. All sound pressure levels are quoted at hemispherical measurements. All units shall be and independently third-party tested at the Sound Research Laboratory (SRL), tested to BS EN 13141-6.

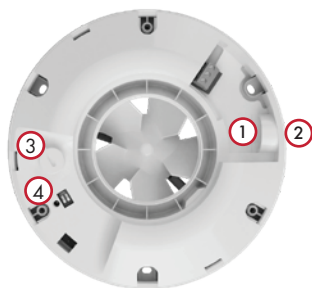
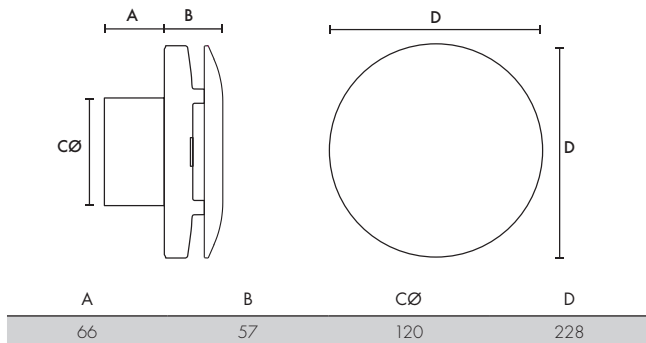
The unit shall comprise a single high efficiency EC/DC motor to deliver specific fan powers as low as 0.09 W/l/s, as measured in accordance with the SAP PCDB test method and listed on the PCDB database.

The controls for the Lo-Carbon NBR Cool Unitary Fan unit shall provide fully adjustable, intermittent heat extraction rates. The Boost speed shall be activated via an integral temperature sensor or via LS Input.

The fan shall be compatible with low ceiling voids and have a spigot length of 66mm.

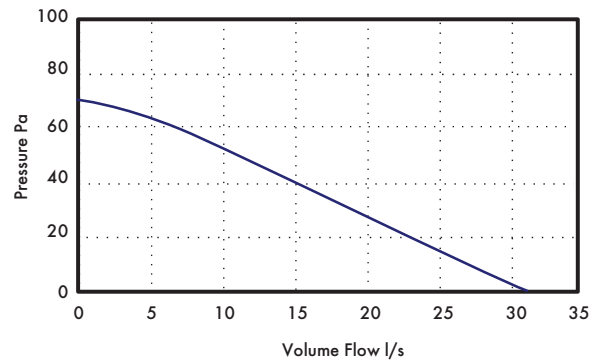
The unit should be commissioned as an Intermittent Heat Extraction fan based on the design duty required. By default this is 20 l/s.

Dimensions (mm)



- 1 Rear cable entry
- 2 Side cable entry (cut plastic side wall to access)
- 3 100% variable speed adjustment
- 4 Installation mode (SW1)
Back pressure detection system (SW2)

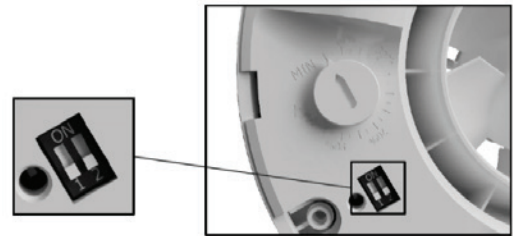
Performance Guide



Sound

Speed	dB(A)
Min	8.5
Max	37.9

Installation Settings



Dip Switch (SW1) (default OFF):

- OFF = Automatic Temperature Function Off (default)
- ON = Automatic Temperature Function On