



Item Code	Description
TW1200	1g Enclosure
TW1201	2g Enclosure

Timeguard Weatherproof – 1 and 2 Gang Enclosures

Features

- **Timeguard Weatherproof:** Outdoor IP66 rated accessory protects against water and dust ingress.
- Impact resistant polycarbonate housing, robust translucent cover allowing neon indicators to be seen.
- Single clip mechanism provides quick and easy access.
- Fast fix screws allows accessory frame to be quickly installed and removed

Safety Instructions - If in doubt, contact a qualified electrician

1. These instructions should be read carefully and retained after installation for future reference and maintenance.
2. This product should be installed in accordance with current edition of IET wiring regulations, BS 7671 and local building regulations. If in any doubt, contact a qualified electrician.
3. Always switch off the mains electrical supply at the consumer unit before commencing installation (if connecting electrical items within or through the enclosure.)
4. Only install using the back box provided with the product.
5. If side, top or bottom entry is used, ensure appropriately IP rated glands are used to maintain IP66 rating.
6. If preparing cables, strip insulation to correct length to allow the conductors to reach the terminals.
7. Wiring accessories must be earthed and earth conductor must be sleeved with green/yellow insulation sleeving.
8. If installing a product with RCD, ensure it is tested regularly using the test button to ensure correct operation.

Environmental Instructions

This product may contain substances that can be hazardous to the environment if not disposed of properly. Waste electrical and electronic equipment (WEEE) should never be disposed of with general household waste but must be separated for its correct treatment and recovery. Where possible recycle your packaging.

Installation Instructions

SUGGESTED METHOD OF INSTALLATION

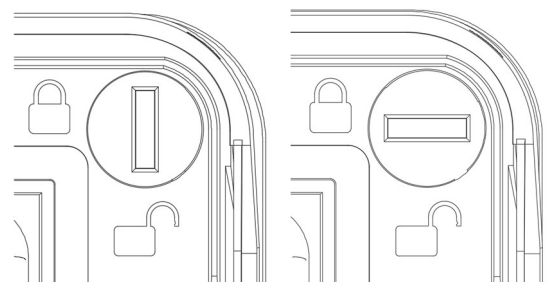
Read instructions and check you have all the tools and accessories to complete the installation safely and in compliance with current electrical regulations

1. Ensure the electrical supply is switched off (if making electrical connections.)
Remove the back box from the accessory frame and socket by turning the quarter turn screws to the “unlocked” position and pulling apart.
2. Install the backbox on the wall using appropriate fixings. If making electrical connections, route any power cables through knockouts on the box. Use a drill and a hole saw for cable entry. Use appropriately IP rated glands if using the top, bottom or side entries. If using rear entry through a wall, consider using some waterproof sealant to ensure no moisture ingress. Drill out a single marked drain hole at the bottom of the enclosure using a 3-5mm drill bit (Note: This may reduce the IP rating.)
3. Prepare the power cable by stripping the live, neutral and earth wires to required length.
4. Take the accessory frame and reattach to the back box by pushing them together, and turning the quarter turn screws to the locked position.

Installing a Wiring Accessory

5. If installing a wiring accessory, follow the wiring instructions provided with the accessory, using the threaded holes in the accessory frame to attach it with M3.5 thread electrical screws.
6. Switch on the power supply and check the operation. If using an accessory with an RCD, test the operation by pressing the “Test” button and confirming the RCD has tripped and the power supply from the socket has been cut. Use the “Reset” button to re-instate the power.

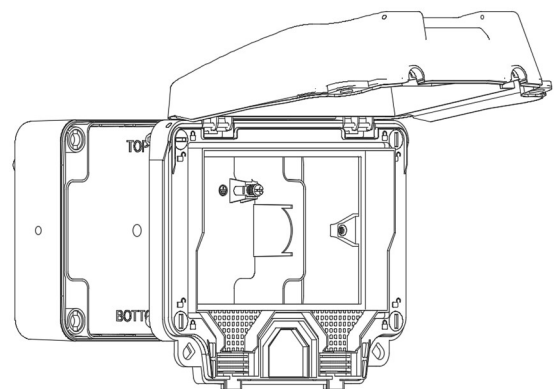
Quarter Turn Accessory Frame Screws



Unlocked

Locked

Backbox and Accessory Frame



Wiring colours

As of April 2004, twin and earth cable core colours for all new fixed wiring installation in the UK have been updated. Refer to the table for twin and earth wiring colours identification.

	Wiring colours	
	Pre April 2004	Post April 2004
Live	Red	Brown
Neutral	Black	Blue
Earth	Yellow/Green	Yellow/Green

Specification

Ingress Protection Rating	IP66	Compliance	BS EN 60529
Housing Material	Polycarbonate		BS EN 60670-22

