

Introduction

The Sabre sounder/VAD allows for audible and visual indication when the fire alarm system enters a fire alarm condition. This device is compatible with the Sabre 2-wire range of fire alarm equipment and comprises of a 2-wire zone powered sounder and VAD. The device may be installed on the same zone as the Sabre ASD detector/sounder and associated Sabre devices.



Before Installation

The sounder/VAD must be installed in compliance with the control panel installation manual (26-0959). The installation must also meet the requirements of any local authority. For maximum performance the sounder should be installed in compliance with BS5839 Pt1 & EN54 Pt 23.

Spacing

The sounder/VAD should be mounted securely and care should be taken to ensure the device is accessible for future testing or replacement. FIKE recommends spacing of sounder/VAD's in accordance with EN54 Pt 3 & 23, and any local authority requirements.

Device Installation

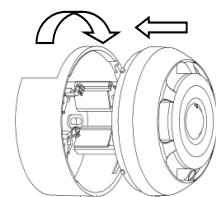
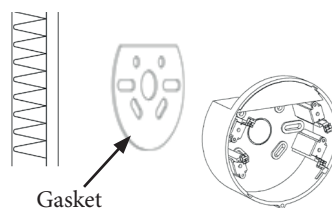
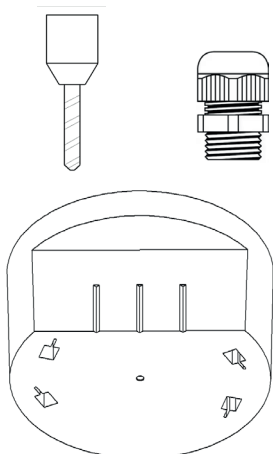
Fix the back box in a suitable position using at least two screw holes/slots, remembering to allow enough cable length for installation. All wiring must be installed in compliance with the recommendations laid out by any local authority, as well as any special recommendations documented in the control panel installation manual.

For wall mounted VAD's you must orientate the sounder/VAD so that the system LED and locking screw are located on the bottom of the device. The sounder VAD must be located 2.4m off the floor to the centre of the device, and has a coverage volume of 7.5m.

Care should be taken when terminating devices to ensure all cables are correctly sleeved and connections are secure. Improper connections will prevent a system from responding properly in the event of a fire. This product is maintenance free do not attempt disassembly.

Follow the steps below to ensure the IP65 rating is maintained.

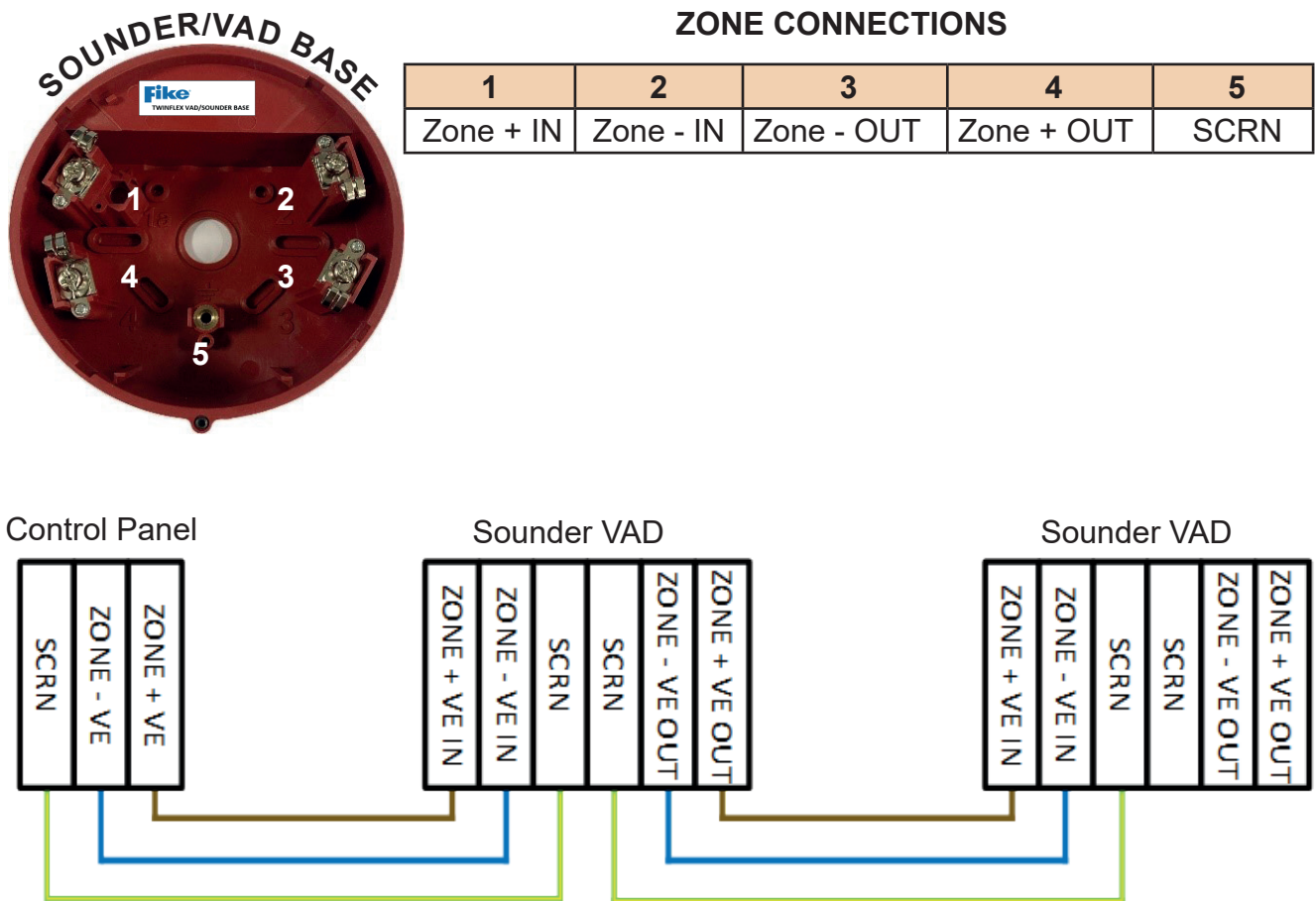
1. Drill suitable holes in the base for IP65 rated gland type using O rings to maintain rating.
2. Affix the base to the wall using the slots in the base for the screws 2.4m from the floor (for VAD only), and the supplied gasket fitted to maintain the IP65 rating.
3. Fit product to the base using the supplied O ring to maintain the IP65 rating.



Connections

The cabling used should be of a 2-core 1.5mm² screened, fire resistant type (e.g. FP200 equivalent), and is to be wired in the form of a screened 2-core radial circuit (with no spurs) from the control panel, terminating at the last (“End of Line”) device. It is important to maintain the SCRN continuity in order to protect against data corruption from interference.

Once all testing has been carried out on the cabling and continuity and insulation has been proven and after the DIP switch programming is completed, the sounder/VAD front may be fitted. The sounder/VAD front is fitted by locating the rubber seal in the groove on the back box to maintain IP 65 rating and inserting the front using the tabs then twisting clockwise until locked.



The Sabre sounder/VAD's can be mixed on the same zone as other types of Sabre device (eg. Sabre ASD Detectors). The above diagram shows how to make the zone positive, zone negative and SCRN connections between the control panel and Twinflex sounder/VAD. Refer to the instructions of other Twinflex devices for their equivalent wiring/terminal labelling details.

Please note that the “SCRN” terminals on the sounder/VAD should only be connected to the zone cable SCRN and NOT to the building earth or the back box earth terminal. The cable SCRN is connected to earth at the panel end only, via the zone “SCRN” terminal (or earth terminal on the Twinflex Pro² 2/4/8 Zone panels). It is important to maintain the SCRN continuity in order to protect against data corruption from interference.

DIP Switch Settings

The sounder/VAD DIP switches may be used to program the operation of the sounder/VAD. They may be altered whilst the device is still powered or the system may be powered down completely. The last device on the circuit must have the EOL signal enabled (switch number 1 in the 'ON' position).



| | | DIP SWITCH SETTINGS | | | | | | | |
|----------------|--|---------------------|-----|---|-----|-----|-----|-----|-----|
| | | 1 | 2 | 3 | 4 | 5 | 6 | 7 | 8 |
| End Of Line | Enabled | ON | | | | | | | |
| | Disabled | OFF | | | | | | | |
| Sound Levels | High | | | | ON | | | | |
| | Low | | | | OFF | | | | |
| Sound Patterns | Disabled (No Sound) | | | | | OFF | OFF | OFF | OFF |
| | Sound 1 - Alternate Tone 800-970 Hz (970Hz,0.25s, 800Hz,0.25s) | | | | | OFF | ON | ON | OFF |
| | Sound 2 - Continuous 970 Hz | | | | | ON | OFF | ON | OFF |
| | Sound 3 - Sweep Up 800 to 970Hz (Over 1s) | | | | | ON | ON | ON | OFF |
| Flash Mode | Fast Flash - Flash Every 1 second | | ON | | | | | | |
| | Slow Flash - Flash Every 2 second | | OFF | | | | | | |

Technical Data

| | | |
|------------------------------------|---|------------------|
| Dimensions | Diameter..... | 104 mm |
| | Height..... | 80mm |
| Operating Temperature | | -25°C to +75°C |
| VAD Coverage Volume | | W-2.4 -7.5 |
| Voltage Ranges | DC Output from Mains Powered Panel..... | 25.5 to 35.5V DC |
| | DC Output from Battery Powered Panel..... | 21 to 26V DC |
| Operating Current (Typical) | Quiescent..... | 144 uA |
| | End of line ON if applicable..... (in addition to Quiescent) | 1 mA |
| | VAD + Alarm Sounding.....Sounder High..... | 26.0 mA |
| | VAD + Alarm Sounding.....Sounder Low..... | 18.0 mA |
| | VAD No Sounder..... | 16.0 mA |
| Power Consumption | Max..... | 0.832W |
| | Min..... | 0.512W |
| Flash Rate | Fast Mode. (TP >35ms<110ms)..... | 1 Sec |
| | Slow Mode. (TP >35ms<110ms)..... | 2 Sec |

| | | |
|----------------------|---------------------------------|------------------------------|
| | | Pro² Panel |
| Loading Units | Max Loading Units Per Zone..... | 160 DLU |
| | Sounder High..... | 28.00 DLU |
| | Sounder Low..... | 20.00 DLU |
| Decibel Range | Sounder High..... | 95+ dB(A) |
| | Sounder Low..... | 65+ dB(A) |
| Flammability | | UL94-V2 |
| IP Rating | | IP 65 + IP33C |
| Part Code | | F0296336 |
| Compatability | | V3, Pro & Pro ² |


For further advanced technical information please refer to 26-1884

Technical Support

Contact your supplier for technical support on this product.

Due to the complexity and inherent importance of a life risk type system training on this equipment is essential, and commissioning should only be carried out by competent persons. Fike cannot guarantee the operation of any equipment unless all documented instructions are complied with, without variation.

Fike's policy is one of continual improvement and the right to change a specification at any time without notice is reserved. Whilst every care has been taken to ensure that the contents of this document are correct at time of publication, Fike shall be under no liability whatsoever in respect of such contents. E&OE.

| | |
|--|--------------------|
|  | |
| <p>EN54-3: 2014 + 2019 (Type A) & EN54-23:2010 (CAT W)</p> <p>F0296336</p> <p>Intended for use in the fire detection and fire alarm Systems in and around buildings</p> | |
| Essential characteristics | Performance |
| Nominal activation conditions/Sensitivity, response delay (response time) and performance under fire conditions | Pass |
| Operational reliability | Pass |
| Tolerance to supply voltage | Pass |
| Durability of operational reliability and response delay, Temperature resistance | Pass |
| Durability of operational reliability, Vibration resistance | Pass |
| Durability of operational reliability, Humidity resistance | Pass |
| Durability of operational reliability, Corrosion resistance | Pass |
| Durability of operational reliability, Electrical stability | Pass |
| Performance under fire conditions | Pass |
| Durability of operational reliability, Resistance to Ingress | Pass |