

vrijdag 20 februari 2015
10:25

MASTER®

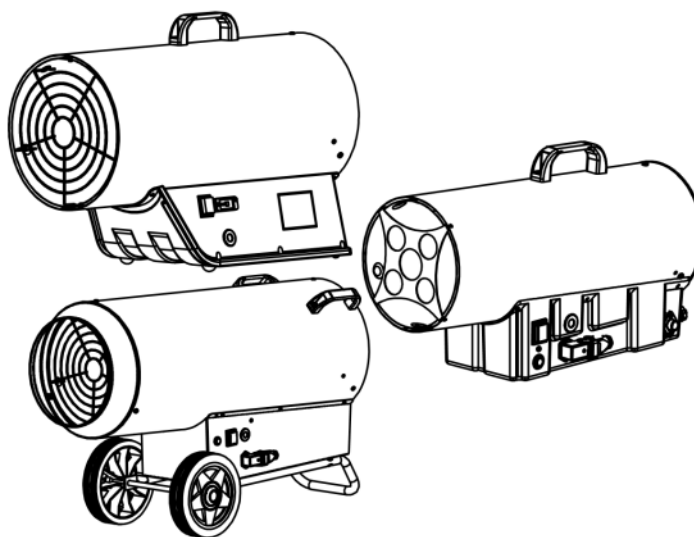
GB - "LPG" Hot air generator
CZ - Horkovzdušné vytápěcí zařízení
HU - Légfűtő berendezés
RO - Generator de aer cald pe gaz "LPG"
BG - Преносим калорифер
PL - Urządzenie ogrzewcze powietrza
RU - Нагревательный прибор
LT - "LPG" Dujinis oro šildytuvas
LV - "LPG" Gāzes sildītājs
EE - "LPG" Kuumaõhupuhur
SK - Teplovzdušné vykurovacie zariadenie
SI - Priprava za vpihavanje toploga zraka
HR - Uređaj za upuh toploga zraka

Operation and maintenance manual - Příručka pro provoz a údržbu
- Üzemeltetési és karbantartási kézikönyv - Manual de utilizare
si intretinere - Упътване за експлоатация - Książka instrukcji
eksploatacji oraz naprawy - Руководство по эксплуатации
- Naudojimosi instrukcija - Lietošanas un apkopes instrukcija -
Kasutus-ja hooldusjuhend - Piročnik - Uputa o pogonu i održavanju

**DVGW**



4160.049
Edition 08
Rev. 01



CE 0085

BLP 33 kW E
BLP 53 kW E
BLP 73 kW E
BLP 103 kW E

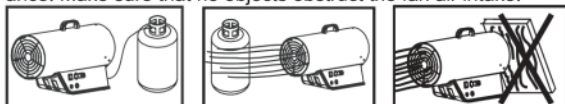
OESA

DESCRIPTION

This hot air heater is liquid propane gas fired. It is characterized by the total use of the calorific power of the fuel, due to the thermal exchange between the air and the combustion products. The machine complies with EN 1596.

WARNINGS

- As this machine needs an adequate change of air, it must be used only in the open air or rooms with an assured and continuous change of air. For installation they are valid the national norms in force, included technical norms and fire and accident-prevention regulations.
- The appliance must be used only as hot air generator, following precisely these instructions
- It is very dangerous and absolutely forbidden use the appliance in "Basements" or underground
- **NOT TO BE USED FOR HEATING HABITABLE AREAS OR DOMESTIC PREMISES**
- In case of gas smell, there could be dangerous leaks. Turn off immediately the appliance, close the cylinder and cut off the plug. Than call the technical assistance.
- When the appliance is stored or not in use, be sure that the flexible hose will not be damaged (plied, bent or twisted).
- Place the gas cylinder in a protected position behind the appliance. Make sure that no objects obstruct the fan air intake.



- Connect to electrical mains equipped with a "life-saver" switch.
- Never, for any reason, reduce the size of the air outlet opening.
- Safety distances: 2 metres from walls or objects.
- The mobile generators may be used only on fire-proof floors.
- Do not use the generator in rooms containing explosive powders, gas fumes, liquid fuel or inflammable material (cloth, paper, wood, fuels, etc.).
- Any maintenance or internal cleaning jobs may be performed only by specialised personnel authorised by the manufacturer.
- If the appliance cannot be left in a safe condition, it must be made unserviceable (e.g. seal the gas inlet point and remove the power plug).
- If the application does not ignite or if ignition is faulty, before making a further attempt, check if the fan is blocked and/or if air circulation is sufficient.
- In any event, have the appliance checked once a year by specialised personnel.
- Improper use of this hot air generator will cause injuries or risk of death by burns, fire, explosions, electrical shock or poisoning by carbon monoxide.
- Do not connect tubes to channel hot air!

MAINS CONNECTION

Before connecting to mains, ensure that the voltage and frequency are correct.

The mains connection has to be made according with the national norms in force.

Before carrying out any repair or maintenance operations, always disconnect the power supply cable.

FUEL

Fuel: use propane gas (G31) or butane gas (G30) only. In any event, only use gas in I₃P and I₃B/P categories.

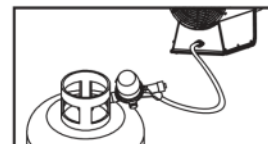
CONNECTION AND CHANGE OF THE GAS CYLINDER

Cylinder shall be changed in open air, far from heating sources or free flames.

In case of substitution of the gas hose, use only types listed in the components list or certified types for this particular use.

Connect the pipe to the generator input union, and then connect to the gas cylinder in the following order: pressure reducer (complete with safety valve) and gas hose.

Keep in mind that junctions have a left thread, secured by turning in an anti-clockwise direction. Make sure that the rubber ring is present between the reducer and the cylinder (should the type of connection require one). Check the tightness of the joints by pouring some liquid soap over: the presence of bubbles is evidence of gas leak. It is possible to connect a number of cylinders together for greater autonomy.



The supply pressure is provided by the pressure regulator supplied as a standard item, and corresponding to the technical specifications table.

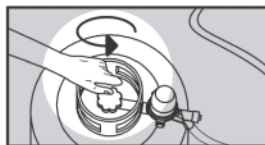
Only the following accessories can be used to connect the cylinder:

- Flexible hose for liquid gas DK6.
- Liquid gas pressure regulator complete with safety valve.

BURNER'S OPERATING CHECK

After ignition, burner operation can be inspected by looking at the flame at the hot air outlet. The flame should be completely and uniformly burning and does not lift or pull away from the thermocouple.

IGNITION FOR ELECTRONIC TYPES ...kW



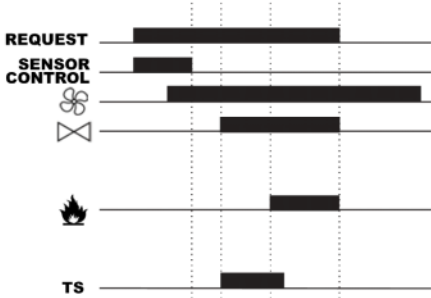
1. Turn on the cylinder.



2. Turn the fan's switch upon the position I.

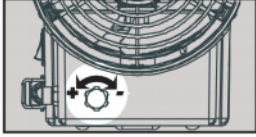
If the room thermostat is off, the sensor start the analysis. After a few seconds the fan starts working and, when the safety time TS is over, the burner will start working. At the end of the safety time TS, if there is flame, the system will be in function. If there isn't the flame the system will be in nonvolatile lockout. Before

turning the heater on again, the cause must be identified and removed. To turn the machine again, press the reset button.
Functional Diagram:

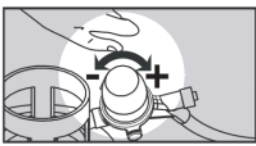


When the sensor checks a temperature $\geq 125\text{ }^{\circ}\text{C}$, the burner switches off and the heater will be in non-volatile lockout: immediately start a post ventilation. To turn on the machine again, press the reset button.
If the system is on non-volatile lockout, the led is switched on. Press the reset button.

N.B.: Thermal power can be adjusted between a maximum and minimum level (see technical sheet) by means of a knob on the generator panel or a external regulator.

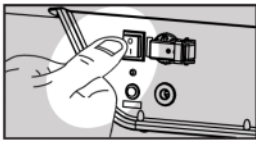


BLP 33E

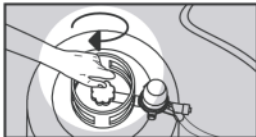


BLP 53E
BLP 73E
BLP 103E

STOPPING



1. Turn the switch to position 0.



2. Turn off the cylinder.

The flame will go off and the fan will continue to function until the combustion chamber has cooled down completely.

USE IN ENVIRONMENTS WITH PERMANENT PRESENCE OF PEOPLE OR ANIMALS

- The generators can be used in well-ventilated rooms and when the percentage of polluting substances in the air does not exceed levels of danger for health.
- A good ventilation is guaranteed when the room's volume in m^3 is at least 30 times the nominal calorific power (in kW) of all the machines used in that room and when an air circulation through doors, windows or permanent openings can be guaranteed, whose size in m^2 is at least 0,003 times the nominal calorific power (in kW) of all the machines used in that room.
- The apparatus should not be used for continuous heating of stables and farms.

USE IN ENVIRONMENTS WITH NO PERMANENT PRESENCE OF PEOPLE OR ANIMALS

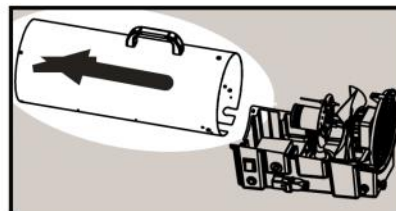
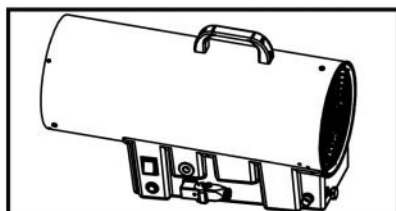
- Signs must be displayed prohibiting people from stopping permanently in that room.
- The generators must only be used to dry rooms, provided that there is a guaranteed quantity of air exchange necessary for combustion.
- The necessary quantity of air is when the volume of the room in m^3 is at least 10 times the nominal calorific power (in kW) of all the machines used in that room.
- A normal air circulation through doors and windows must be assured.

CLEANING AND MAINTENANCE

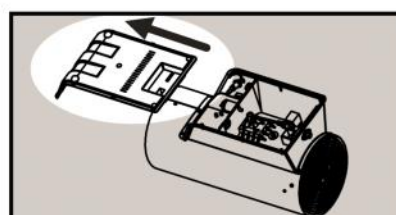
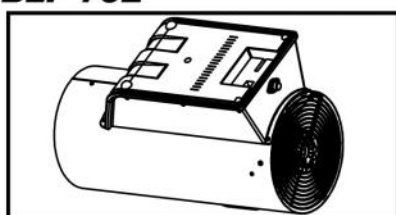
Periodically and before putting the appliance away after use, clean it.

- Before starting any kind of maintenance and repairing operations, it is absolutely necessary to unplug the apparatus.
- To provide maintenance inside the compartment commands.
- Close the cylinder tap.
- Maintenance concerns solely cleaning the burner outlets, the eventual replacement of the calibrated nozzle and the replacement of the flexible hose.
- Clean the burner periodically if it is used in a dusty place.
- When the appliance is run by radio-control, check wear of the gas pipe and power cable; if you have any doubts about their condition, call in the servicing department.
- After each servicing operation a soundness test shall be carried out over the gas circuit by aid of soap water.

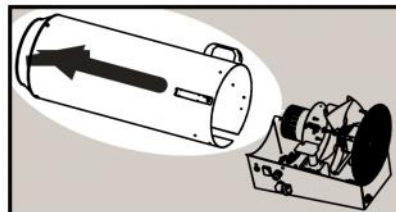
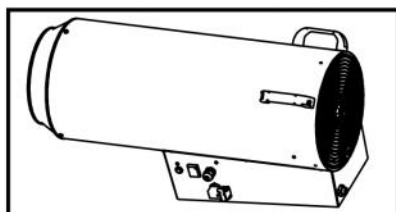
BLP 33E



BLP 53E - BLP 73E



BLP 103E



ANOMALY PRESENCE

Anomalies have 2 possible effects:

1 The system goes in non-volatile lockout;

2 The system become non-active, but restarts working properly if the anomaly disappears;

#	DESCRIPTION	EFFECT	RED LED SIGNAL
1	Flow air sensor damaged	Burner non active	SLOW FLASHING
2	Flame lost	Non-volatile lockout (manual request required)	LED ON
3	Over-heat burner	non active Burner (if the anomaly disappears, the burner restarts working). Post ventilation while $T > T_{amb} + 10^{\circ}C$	SLOW FLASHING
4	Fan damaged before start up cycle	Non-volatile lockout after 30s or less	LED ON
5	Fan damaged after flow sensor control	Non-volatile lockout for safety thermostat temperature	LED ON
6	Fan damaged before 1 min. 30 sec from running position	Non-volatile lockout for safety thermostat temperature	LED ON
7	Fan damaged after 1 min and 30 sec. from running	Not working Burner and start post ventilation	LED ON

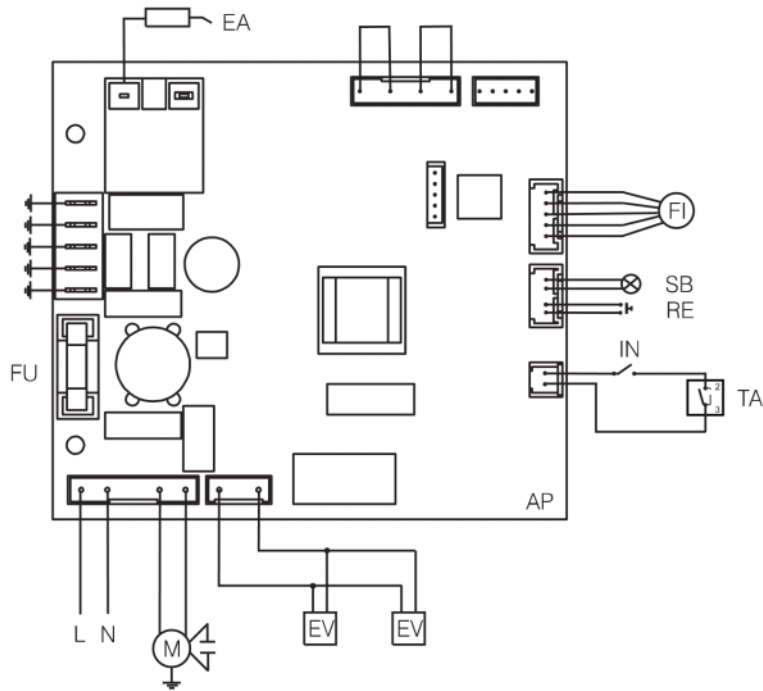
MODELLO - MODEL - MODELL - MODELO - MODELE - MODELLE - MALLI	BLP 33 kW E	BLP 53 kW E	BLP 73 kW E
Alimentazione elettrica - Power supply - Stromanschluß - Alimentación eléctrica - Alimentation électrique - Netvoeding - Alimentação elétrica - Elektriske Krav - Nettislutning - Virransaanti - Strømtilførsel	220/240 V - 50 Hz 110/240 V - 50 Hz*		
Consumo max - Max. flow - Max. Brennstoffverbrauch - Consumo máx. - Consommation Max. - Max. Stroom - Consumo Máx. - Maks. Brændstoffbrug - Max. Kapacitet - Maksimiteho - Maksimal effekt (G31)	2,14 kg/h	3,29 kg/h	4,95 kg/h
consumo max - Max. flow - Max. Brennstoffverbrauch - Consumo máx. - Consommation Max. - Max. Stroom - Consumo Máx. - Maks. Brændstoffbrug - Max. Kapacitet - Maksimiteho - Maksimal effekt (G30)	2,4 kg/h	3,78 kg/h	5,02 kg/h
Tipo di gas - Gas type / Cat. - Brennstoff - Tipo de gas - Typo de gaz - Gastype / Cat. - Tipo de gás - Brændstof - Gastyp/Kat. - Kaasun tyyppi/Cat. - Gasstype/Cat.	I ₃ P - I ₃ B/P		
Potenza termica max - Max. power - Max. Wärmeleistung - Potencia térmica máx. - Puissance thermique max. - Max. Vermogen - Potência térmica máx - Maks. Termisk Effekt - Värmestyrka, max - Enimmäislämpöteho - Maksimal varmeeffekt (G31)	30 kW	46 kW	69 kW
Potenza termica min - Min. power - Min. Wärmeleistung - Potencia térmica mín. - Puissance thermique min. - Min. Vermogen - Potência Térmica mín. - Min. Termisk Effekt - Värmestyrka, min. - Vähimmäislämpöteho - Minimal varmeeffekt (G31)	16 kW	31 kW	39 kW
Potenza termica max - Max. power - Max. Wärmeleistung - Potencia térmica máx. - Puissance thermique max. - Max. Vermogen - Potência térmica máx - Maks. Termisk Effekt - Värmestyrka, max - Enimmäislämpöteho - Maksimal varmeeffekt (G30)	33 kW	52 kW	69 kW
Potenza termica min - Max. power - Min. Wärmeleistung - Potencia térmica mín. - Puissance thermique min. - Min. Vermogen - Potência Térmica mín. - Min. Termisk Effekt - Värmestyrka, min. - Vähimmäislämpöteho - Minimal varmeeffekt (G30)	16 kW	31 kW	39 kW
Potenza elettrica assorbita - Absorbed electrical power - Anschlußwert - Potencia eléctrica abs. - Absorbed electrical power - Stroomverbruik - Potência elétrica abs. - Absorberet Strøm - Strömkrav - Saatu sähköenergia - Forbruk av elektrisk energi	80 W	103 W	188 W
Pressione alimentazione - Gas pressure - Betriebsdruck - Presión alimentación - Gas pressure - Gasdruk - Pressão de alimentação - Operating Pressure - Gastryck - Kaasun paine - Gasstrykk	1,5 bar	1,5 bar	1,5 bar

*= dual voltage version

MODELLO - MODEL - MODELL - MODELO - MODELE - MODELLE - MALLI	BLP 103 kW E
Alimentazione elettrica - Power supply - Stromanschluß - Alimentación eléctrica - Alimentation électrique - Netvoeding - Alimentação elétrica - Elektriske Krav - Nettislutning - Virransaanti - Strømtilførsel	220-240 V / 50 Hz
Consumo nominale - Nom. consumption - Nennbrennstoffverbrauch - Consumo nominal - Consommation nom. - nominaal eigen verbruik - Consumo nom. - Matningsstorhetens märkeffekt - Syöttöpiirin mitoitustaakka (G30)	5,87 kg/h
Consumo nominale - Nom. consumption - Nennbrennstoffverbrauch - Consumo nominal - Consommation nom. - nominaal eigen verbruik - Consumo nom. - Matningsstorhetens märkeffekt - Syöttöpiirin mitoitustaakka (G31)	6,30 kg/h
Tipo di gas - Gas type / Cat. - Brennstoff - Tipo de gas - Typo de gaz - Gastype / Cat. - Tipo de gás - Brændstof - Gastyp/Kat. - Kaasun tyyppi/Cat. - Gasstyp/Cat.	I ₃ P - I ₃ B/P
Potenza termica nominale - Rated power - Feuerungsärmeleistung - Potencia térmica nominal - Puissance thermique nominale - nominaal thermisch vermogen - Potencia térmica nominal - Installerad tillförd effekt - Lämpöteho (G31)	82 KW
Potenza termica nominale - Rated power - Feuerungsärmeleistung - Potencia térmica nominal - Puissance thermique nominale - nominaal thermisch vermogen - Potencia térmica nominal - Installerad tillförd effekt - Lämpöteho (G30)	88 KW
Potenza termica max - Max. power - Max. Wärmeleistung - Potencia térmica máx. - Puissance thermique max. - Max. Vermogen - Potência térmica máx - Maks. Termisk Effekt - Värmestyrka, max - Enimmäislämpöteho - Maksimal varmeeffekt (G31)	86 KW
Potenza termica min - Min. power - Min. Wärmeleistung - Potencia térmica mín. - Puissance thermique min. - Min. Vermogen - Potência Térmica mín. - Min. Termisk Effekt - Värmestyrka, min. - Vähimmäislämpöteho - Minimal varmeeffekt (G31)	53 KW
Potenza termica max - Max. power - Max. Wärmeleistung - Potencia térmica máx. - Puissance thermique max. - Max. Vermogen - Potência térmica máx - Maks. Termisk Effekt - Värmestyrka, max - Enimmäislämpöteho - Maksimal varmeeffekt (G30)	92 KW
Potenza termica min - Max. power - Min. Wärmeleistung - Potencia térmica mín. - Puissance thermique min. - Min. Vermogen - Potência Térmica mín. - Min. Termisk Effekt - Värmestyrka, min. - Vähimmäislämpöteho - Minimal varmeeffekt (G30)	57 KW
Potenza elettrica assorbita - Absorbed electrical power - Anschlußwert - Potencia eléctrica abs. - Absorbed electrical power - Stroomverbruik - Potência eléctrica abs. - Absorberet Strøm - Strömkrav - Saatu sähköenergia - Forbruk av elektrisk energi	0,22 KW 1,00 A
Pressione alimentazione - Gas pressure - Betriebsdruck - Presión alimentación - Gas pressure - Gasdruk - Pressão de alimentação - Operating Pressure - Gstryck - Kaasun paine - Gasstrykk	0,5 ÷ 2,0 Bar

**IMPIANTO ELETTRICO / ELECTRICAL DIAGRAM / ELEKTRO SKEME / DIAGRAMA ELÉCTRICO
 DIAGRAMME ÉLECTRIQUE / ELEKTRISCHE DIAGRAM / DIAGRAMA ELÉTRICO
 ELEKTRISKE TILSLUTNINGS TEGNING / KOPPLINGSSCHEMA / SÄHKÖISTEN KYTKENTIEN KAAVIO
 DIAGRAM AV ELEKTRONISKE TILKOPLINGER**

BLP 33/53/73/103 kW E



TA=Termostato ambiente / Ambient Thermostat / Raumthermostat / Termostato ambiente / Thermostat d'Ambiance / Omgevingsthermostaat / Termostato Ambiente / Rumtermostat / Rumstermostat / Ympäriövän ilman termostaatti / Romtermostat.

RE=Reset / Switch Reset / Schalter Reset / Interruptor reset / Interrupteur Reset / Schakelaar / Interruptor Reset / Bryter Rese / Strömbrytare / Kontakt / Kytkin Reset.

M=Motore elettrico / Ventilation Motor / Lüftungsmotor / Motor de ventilación / Moteur Ventilation / Ventilatormotor / Motor / Ventilationsmoto / Fläktmotor / Kondensaattori / Viftmotor.

EA=Elettrodo di accensione / Electrode / Elektrode / Electrodo de encendido / Electrode / Elektrode / Electrodo ignação / Elektrode / Elektrod / Elektrodi / Elektrode.

EV=Elettrovalvola / Electro Valve / Elektroventil / Electroválvula / Electrovanne / Elektrische klep / Electrovalvula / Elektroventil / Elektroventil / Sähköventiili / Magnetventil.

AP=Apparecchiatura elettronica / Equipment Electronic / Ausrüstung Elektronisch / Conjunto de control de encendido / Matériel de Électronique / Materiaal van Elektronika / Equipamento do eletrônico / Elektroniske pc plade til gas / Elektronisk Utrustning / Sähköinen pc-levy kaasulle / Elektrisk pc-skive for gass.

IN=Interruttore-Riarmo/Switch-Reset/Schalter-Entrigelungs/Interruptor-Restablecimiento/Interrupteur-Rearmement/Schakelaar/Kontakt/Katkaisija/Bryter/Brytarkontakt/Wyłącznik/Переключатель/Spinaã/Megszakító

FU=Fusibile/Fuse/Schmelzsicherung/Fusible/Zekering/Fusivel/Sikring/Sulake/Sikring/Säkring/Bezpiecznik topikowy/Предохранитель/Тавна pojistka/Olvadóbiztosíték

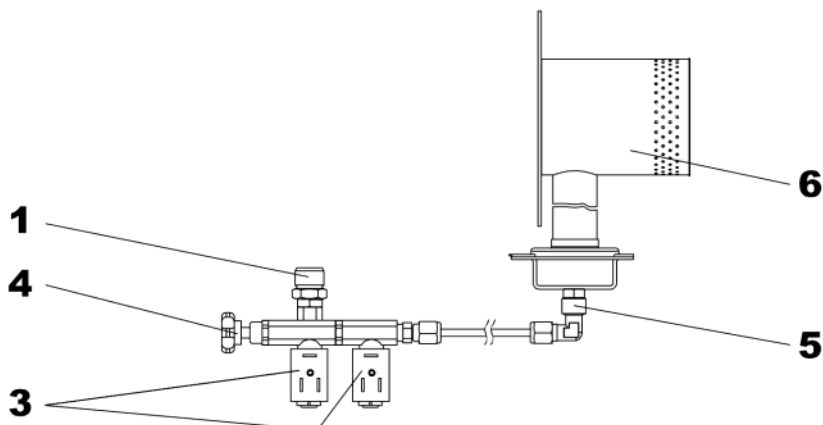
TS=termostato di sicurezza/Safety therm./Sicherheitsthermostat/Term. de seguridad/Thermostat de sécurité/Veiligheidsthermostaat/Term. de segurança/Sikkerheds term./Varoermostaatti/Sikkerhetsterm./Säkerhetsterm. Termostat bezpečnostwa/Предохранительный термостат/Bezpečnostní term./Biztonsági termosztát

SB= Spia luminosa / Led / Leuchtdiode /Diodo emisor de leez / Diode è lectroluminescente / Valodiodi

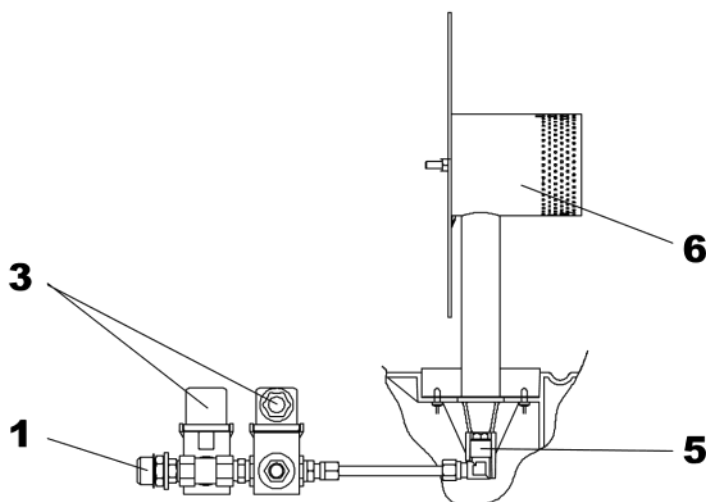
FI=Sensore di controllo / Sensor control / Sensor de contrôle / Sensor die analyse / Sensor

**IMPIANTO GAS / GAS DIAGRAM / GASDIAGRAM / DIAGRAMA GAS / GAZ DE DIAGRAMME / GAS
VAN DIAGRAM / DIAGRAMA DO GÁS / GAS DIAGRAM / GASDIAGRAM / KAASUKAAVIO /
GASSDIAGRAM**

BLP 33 kW E



BLP 53/73/103 kW E



1- Raccordo entrata gas / Gas inlet / Gasanschlussnippel / Inyector de la entrada del gas / Douille d'entree du gaz / Aansluiting Gastoevoer / Entrada de gás / Stik t.GAstlførsel / Gasinloppsuttag / Kaasun Sisääntulo / Hylse for gassntak

2- Valvola gas / Safety gas valve / Gasventil / Válvula de gas / Soupape de gaz / Gasklep / Válvula gás / Gasventil / Gasventil / Kaasuventtiili / Gasskran

3- Elettrovalvola / Electrovalve / Magnetventil / Electroválvula / Electrovanne / Elektrische klep / Eletroválvula / Elektroventil / Elektroventil / Sähköventtiili / Magnetventil

4- Rubinetto gas / Gas inlet / Gashahn / Cierre del gas / Robinet / Gaskraan / Torneira do gás / Gastap / Gaskran / Kaasuhana / Gasskran

5- Ugello gas / Gas nozzle / Gasduse / Inyector de gas / Brûleur de gaz / Injecteur van gassen / Tubo gás / Gasdyse / Gasmunstycke / Kaasusuutin / Gassdyse

6- Bruciatore / Burner / Brenner / Hornilla / Brûleur de gaz / Brander van gassen / Queimador / Gasbrænder / Gasbrännare / Kaasupoltin / Gassbrenner

**EC CONFORMITY DECLARATION
 DÉCLARATION DE CONFORMITÉ À LA CE
 EU-ÜBEREINSTIMMUNGSERKLÄRUNG
 CONFORMITEITSVERKLARINGVOOR DE EU
 DICHIARAZIONE DI CONFORMITÀ
 DECLARACION DE CONFORMIDAD CON LA CE
 FÖRSÄKRAN OM ÖVERENSSTÄMMELSE
 EU:N VAATIMUSTENMUKAISUUSVAKUUTUS
 EU OVERENSSTEMMELSESERKLÆRING
 EU-SAMSVAR**

**DEKLARACJA ZGODNOCI Z ZALECENIAMI WSPÓLNOTY EUROPEJSKIEJ
 ЗАЯВЛЕНИЕ О СООТВЕТСТВИИ ТРЕБОВАНИЯМ СТАНДАРТОВ ЕС**

**EC MEGFELELŐSÉGI NYILATKOZAT
 PROHLÁŠENÍ O DODRŽENÍ NARIŽENÍ EC**

EC ATITIKTIES DEKLARACIJA

EL VASTAVUSVAALDUS

EC ATBILSTĪBAS DEKLARĀCIJA

ΔΗΛΩΣΗ ΣΥΜΜΟΡΦΩΣΗΣ ΕΚ

AT UYGUNLUK BEYANI

**VYHLÁŠENIE ZHODY S ODPORÚČANIAMÍ EURÓPSKEHO SPOLOČENSTVA
 DECLARAȚIA DE CONFORMITATE CU RECOMANDĂRILE COMUNITĂȚII EUROPENE**

**ДЕКЛАРАЦИЯ ЗА СЪОТВЕТСТВИЕ НА ЕВРОПЕЙСКАТА ОБЩНОСТ
 DEKLARACIJA USKLAĐENOSTI S PREPORUKAMA EUROPSKE UNIJE**

DESA ITALIA s.r.l. Via Tione, 12 - 37010 - Pastrengo (VR) ITALY

Kerosene Portable Forced Air Heaters / Appareils de chauffage individuels à air forcé au kérosène
 Tragbare Hochdruck-Heizluftturbinen / Draagbare heteluchtkanonnen op petroleum
 Generatori d'aria calda a riscaldamento diretto / Calentadores portátiles de keroseno con aire forzado
 Portabel fotogendreven värmefläkt med forcerat luftflöde / Kerosiinia polttava kannettava kuumailmapuhallin
 Petroleumsvarmekanon / Transportable, parafindrevne varmeapparater med vifte
 Przenośne wentylatorowe naftowe ogrzewacze powietrza / Керосиновые портативные воздухонагреватели с системой наддува /
 Petróleumtüzelésű hordozható gépi légfűtő berendezés / Přenosné ohřivače s nucenám oběhem vzduchu
 Kilnojamojo oro šildytuvo su tiesioginiu kuro padavimu / Teisaldatav atsekūtēga dūsuosojēndi
 Gaisa sildītāja ar šķidrā kurināmā degli / Φορητές Θερμάστρες Κηροζίνης Εξαναγκασμένης ροής αέρα / Kerosen Yakıtlı Portatif
 Basıncılı Hava Isıtıcıları / Přenosné teplovzdušné naftové ohřivače vzduchu / Încălzitoare de aer portabile cu ventilator / Преносими
 вентилаторни въздушни отоплители на нафта / Prijenosni ventilatorski naftni zračni grijači

BLP 33 kW E

BLP 53 kW E

BLP 73 kW E

BLP 103 kW E

It is declared that these models conform to: - Ces modèles ont été déclarés conformes à:
 Hiermit wird bescheinigt, daß diese Modelle in Übereinstimmung: - Hierbij wordt verklaard dat deze modellen:
 Si dichiara che questi generatori sono conformi: - Se declara por este medio que estos modelos:
 Ovanstående modeller överensstämmer: - Näiden mallien todistetaan täten noudattavan:
 Det attesteres herved, at anførte modeller er i overensstemmelse: - Det erklæres at disse modellene er i samsvar:
 Oświadcza się, że niniejsze modele zgodne są z zarządzeniem: - Настоящим мы заявляем, что эти нагреватели отвечают
 требованиям стандартов на оборудование: - Kijelentjük, hogy fenti modellek megfelelnek
 Prohlašujeme, že tyto modely odpovídají Nařízení pro stroje: - Vastab järgmistele el direktiividele ja standarditele:
 Atbilst sekojošu es standartu un direktīvu prasībām: - Δηλώνεται ότι αυτά τα μοντέλα είναι σε συμμόρφωση με την οδηγία περί
 Μηχανημάτων: - İşbu modellerin: - Potvrđujemo, že tieto modely sú zhodné s nariadením: - Declară că modelele sunt produse
 conform hotărârii: - Декларира, че горепосочените модели съответстват Директивата за: - Očituje se da su spomenuti modeli
 skladni sa uredbom:

90/396 EEC, 2004/108 EEC, 2006/95 EEC

EN 1596, EN 55014-1-2-2A/1, EN 61000-3-2, EN 61000-3-3, EN 50366, EN 60335-1, EN 60335-2-102

Pastrengo, 06/04/2008


 Augusto Millan (managing Director)

IT - GARANZIA LIMITATA E SERVIZIO ASSISTENZA SERVICE

CONSERVARE LA PRESENTE GARANZIA LIMITATA

Durante il periodo di dodici (12) mesi a partire dalla data di acquisto di questo prodotto, DESA Italia garantisce che l'apparecchio come ogni sua parte non presentano difetti dovuti alla fabbricazione o ai materiali utilizzati, sempre che lo stesso sia stato usato seguendo le istruzioni di funzionamento e mantenimento indicate sul manuale. La presente garanzia si estende unicamente al compratore originale dell'apparecchio il quale dovrà presentare la fattura di acquisto. La presente garanzia include solo il costo delle parti necessarie per restituire l'apparecchio nel suo stato normale di funzionamento. Restano pertanto esclusi i costi relativi ai trasporti o altro materiale associato con le parti coperte dalla presente garanzia.

Sono escluse dalla copertura di garanzia le avarie prodotte da errato uso, manipolazioni negligenza, manutenzione insufficiente, alterazioni modificazioni, normale usura del prodotto, così anche per l'uso di combustibile non conforme, riparazioni con ricambi inadeguati o per riparazioni fatte da personale differente dal distributore o dal servizio tecnico autorizzato. La normale manutenzione è a carico del proprietario. DESA Italia non garantisce né si fa carico diretto od indiretto di nessuna altra garanzia inclusa quella di carattere commerciale o per l'appropriazione per una particolare utilizzazione.

In nessun caso DESA Italia Sarà responsabile per i danni diretti, indiretti, accidentali o conseguenti derivanti dall'uso del generatore. DESA Italia si riserva il diritto di modificare in qualsiasi momento e senza preavviso la presente garanzia.

L'unica garanzia valida è la presente scrittura DESA Italia non assume nessuna garanzia espressa o implicita.

GB - WARRANTY AND REPAIR SERVICE

KEEP THIS WARRANTY LIMITED WARRANTY

DESA Italia warrants this product and any parts thereof, to be free from defects in materials and workmanship for twelve (12) months from the date of first purchase when operated and maintained in accordance with instructions. This warranty is extended only to the original retail purchaser, when proof of purchase is provided. This warranty covers only the cost of parts required to restore the product to proper operating condition. Transportation and incidental costs associated with warranty parts are not reimbursable under this warranty.

This warranty does not cover defects resulting from misuse, abuse, negligence, accidents, lack of proper maintenance, normal wear, alteration, modification, tampering, contaminated fuels, repair using improper parts, or repair by anyone other than an authorized dealer or service center. Routine maintenance is the responsibility of the owner.

This express warranty is given in lieu of any other warranty either expressed or implied, including warranties of merchantability and fitness for a particular purpose.

DESA Italia assumes no responsibility for indirect, incidental or consequential damages.

We reserve the right to amend these specifications at any time without notice. The only warranty applicable is our standard written warranty. We make no other warranty, expressed or implied.

DE - GARANTIE UND REPARATURDIENST

DIESE GARANTIE IST AUFZUBEWAHREN BEGRENZTE GARANTIE

DESA Italia gewährleistet, daß das Produkt und seine Bestandteile frei von Material- und Fertigungsmängeln sind, und zwar für einen Zeitraum von 12 Monaten ab dem Datum des ersten Kaufs, unter der Voraussetzung, daß es in Übereinstimmung mit den Anweisungen betrieben und gewartet wird. Die vorliegende Garantie kann nur vom ursprünglichen Käufer im Einzelhandel in Anspruch genommen werden, wenn der Kaufnachweis geführt wird. Die vorliegende Garantie erstreckt sich allein auf die Kosten der Teile, die dazu erforderlich sind, das Produkt wieder in einen ordnungsgemäßen Betriebszustand zu versetzen. Transport- und Nebenkosten im Zusammenhang mit Garantieteilen werden unter der vorliegenden Garantie nicht erstattet.

Diese Garantie erstreckt sich nicht auf Defekte, die sich aus falscher Anwendung, Mißbrauch, Nachlässigkeit, Unfall, Mangel an ordnungsgemäßer Wartung, normaler Abnutzung, Veränderung, Abänderung, Hantieren, verschmutzten Brennstoffen, Instandsetzung mit unpassenden Teilen oder Reparaturen durch andere als anerkannten Fachhändlern oder Servicecenter ergeben. Die Verantwortung für die Routinewartung obliegt dem Besitzer.

Diese ausdrückliche Gewährleistung erfolgt statt jeder sonstigen ausdrücklichen oder impliziten Garantie, einschließlich der Garantien in bezug auf Absatzfähigkeit und Eignung für einen bestimmten Zweck. DESA Italia übernimmt keine Verantwortung für mittelbare, Neben- oder Folgeschäden. Wir behalten uns das Recht vor, die vorliegenden technischen Daten jederzeit und ohne Ankündigung zu ändern. Die einzige geltende Garantie ist unsere standardmäßige Garantie in schriftlicher Form. Wir übernehmen keinerlei weitergehende ausdrückliche oder implizite Garantie.

ES - GARANTÍA LIMITADA Y SERVICIO DE REPARACIÓN

CONSERVE LA PRESENTE GARANTÍA LIMITADA

Durante el plazo de doce (12) meses a partir de la fecha de compra de este producto, DESA Italia garantiza que el mismo así como cualquiera de sus partes no presentan defecto alguno debido a causas de fabricación o de los materiales utilizados, siempre que el aparato se use según las instrucciones de funcionamiento y mantenimiento indicadas en el manual. La presente garantía se extiende únicamente al comprador original del aparato, el cual deberá presentar la factura de compra del producto. La presente garantía incluye sólo el coste de las partes necesarias para devolver el aparato a su estado normal de funcionamiento. Quedan excluidos los gastos de transporte y otros asociados con las partes cubiertas en la presente garantía. Se eximen de esta garantía las averías producidas por mal uso, manipulación, negligencia, accidentes, mantenimiento incorrecto, desgaste normal del producto, alteración, modificación, obstrucción del mismo, así como por el uso de combustibles contaminados, reparación con recambios inadecuados, o reparación por personas distintas al distribuidor o el servicio técnico autorizado. Corresponde al usuario el mantenimiento rutinario del aparato. DESA Italia no garantiza ni se hace cargo expresa o implícitamente de ninguna otra garantía, incluidas su comerciabilidad y su idoneidad para un propósito particular. En ningún caso DESA Italia. será responsable por los daños directos, indirectos, incidentales o consiguientes derivados de su uso. DESA Italia. se reserva el derecho de modificar en cualquier momento y sin previo aviso la presente garantía. La única garantía válida es nuestra garantía estándar por escrito. DESA Italia no asume ninguna otra garantía expresa o implícita.

FR - GARANTIE ET SERVICE APRES-VENTE

CONSERVER CETTE GARANTIE GARANTIE LIMITEE

DESA Italia garantit que ce produit et tous les éléments qui le composent sont exempts de vices de matière et défauts de main d'oeuvre pendant une durée de douze mois à partir de la date du premier achat à condition que l'appareil fonctionne et soit entretenu conformément aux instructions. Cette garantie protège exclusivement l'acheteur d'origine qui est tenu de fournir la preuve de l'achat.

La présente garantie couvre uniquement le coût des pièces nécessaires pour rétablir le produit dans un état de fonctionnement correct. Les frais de transport et autres frais indirects associés à des pièces sous garantie ne sont pas remboursables aux termes de celle-ci. Cette garantie ne couvre pas les défauts qui résultent d'une utilisation abusive, de mauvais traitement, de négligences, d'accidents, d'absence d'entretien correct, ni l'usure normale, la modification, l'altération, l'utilisation de combustible contaminés, les réparations à l'aide de pièce inadéquate ou les réparations par une autre personne que le revendeur ou le service après-vente autorisé. L'entretien normal s'opère sous la responsabilité du propriétaire.

Cette garantie expresse est donnée en lieu et place de toute autre garantie expresse ou implicite, y compris les garanties de caractère commercial et d'appropriation pour une utilisation particulière.

DESA Italia n'assume aucune responsabilité pour les dommages indirects, ou incidents conséquents.

Nous nous réservons le droit de modifier les présentes spécifications à tout moment quelconque sans préavis. La seule garantie applicable est notre garantie écrite standard. Nous ne faisons aucune autre garantie expresse ou implicite.

NL - GARANTIE EN HERSTELDIENST

BEWAAR DIT BEWIJS VAN GARANTIE BEPERKTE GARANTIE

DESA Italia garandeert dat dit product en de onderdelen ervan vrij zullen zijn van defecten in materialen en uitvoering gedurende een periode van twaalf (12) maanden, te rekenen vanaf de datum van eerste aankoop, voor zover het product gebruikt en endorhouden wordt zoals in de handleiding wordt beschreven. Deze garantie geldt uitsluitend voor de persoon die het toestel als eerste in een kleinhandelszaak kocht en op voorwaarde dat hij een bewijs van aankoop voorlegt. Deze garantie dekt alleen de kosten van de wisselstukken die nodig zijn om de normale gebruikstoestand van het product te herstellen. Transportkosten en andere mogelijke kosten die wisselstukken, die onder deze garantie vallen, met zich mee brengen worden niet gedekt door deze garantie.

Deze garantie dekt geen defecten die het gevolg zijn van verkeerd gebruik, misbruik, nalatigheid, ongevallen, wanonderhoud, normale slijtage, wijzigingen, aanpassingen, sabotage, onzuivere brandstoffen, herstellingen met gebruik van ongeschikte wisselstukken, of herstellingen uitgevoerd door personen andere dan de erkende handelaar of het servicecenter. Het routineonderhoud behoort tot de verantwoordelijkheid van de eigenaar. Deze bijzondere garantie vervangt alle andere garanties, van expliciete of van impliciete aard, met inbegrip van garanties van verhandelbaarheid en geschiktheid voor een bepaald doel.

DESA Italia is niet aansprakelijk voor onrechtstreekse schade, incidentale schade of gevolgschande. We behouden ons het recht voor om deze specificaties zonder enige kennisgeving te wijzigen. De enige gelende garantie is onze geschreven standaardgarantie.

Andere garanties worden niet verstrekt, noch expliciet, noch impliciet.

PT - GARANTIA LIMITADA E SERVIÇO DE REPARAÇÃO

CONSERVAR A PRESENTE GARANTIA LIMITADA

Durante o período de doze (12) meses, a partir da data de compra desse produto, DESA Italia garante que o aparelho e todas as suas partes, não apresenta nenhum defeito, devido à fabricação ou à materiais utilizados, sempre que o mesmo foi usado, segundo às instruções de funcionamento e manutenimentos indicados nesse manual. A presente garantia se estende unicamente ao comprador original do aparelho, o qual deverá apresentar a factura de compra do produto.

A presente garantia include somente o preço das partes necessárias para devolver o aparelho no seu estado normal de funcionamento. Ficam portanto excluídos, os custos relativos aos transportes e outros materiais associados com as partes cobertas de presente garantia. São excluídas dessa garantia, as avarias produzidas por mau uso, manipulação, negligência, manutenção incorreta, alteração, modificação do produto, assim também, o uso de combustível não adaptado, reparação com peças erradas ou reparação por pessoas diferentes do distribuidor e do serviço técnico autorizado. A normal manutenção, corresponde ao usuário.

DESA Italia não garante nem se responsabiliza direto ou indireto de nenhuma outra garantia incluso aquela de caráter comercial para apropriação por uma particular utilização. Em nenhum caso, DESA Italia será responsável por danos diretos ou indiretos acidentais ou conseguinte derivados do uso do gerador. DESA Italia, se reserva o direito de modificar em qualquer momento e sem pré aviso à presente aqui escrita. DESA Italia não assume nenhuma garantia expressa ou implícita.

DK - GARANTI OG REPARATIONSSERVICE

BEHOLD GARANTIEN BEGRÆNSET GARANTI

DESA Italia garanterer at dette produkt og alle dele heraf er uden materiale og fabrikationsfejl i (12) måneder fra den første købsdato, hvis apparatet behandles og vedligeholdes som beskrevet i instruktionerne. Garantien omfatter kun den originale detailkøber og kun, hvis købet kan bevises.

Garantien dækker kun omkostningerne til de reservedele, der er nødvendige for at produktet igen kan fungere ordentligt.

Transportudgifter og diverse omkostninger, der hænger sammen med garantireservedelene, refunderes ikke under denne garanti. Garantien dækker ikke fejl opstået på grund af forkert brug, misbrug, forsømmelse, ulykker, mangel på korrekt vedligeholdelse, almindelig slitage, omlægning, ændring, ulovlige ændringer, forurenede brændstof, reparationer med ikke-godkendte reservedele eller reparationer, som ikke er foretaget af en autoriseret forhandler eller servicecenter. Almindelig vedligeholdelse er ejerens opgave.

Denne garanti gives i stedet for enhver anden garanti enten udtrykt eller underforstået, inklusiv garantier, der garanterer salgbarhed og tilpasning til et særligt formål.

DESA Italia påtager sig ikke noget ansvar for indirekte, tilfældige eller følgeskader.

Vi forbeholder os ret til ændring af ovenstående specifikationer når som helst uden varsel. Den eneste anvendelige garanti er vores standardskrevet garanti. Vi yder ingen anden garanti, hverken udtrykt eller underforstået.